

## For factory prepared doors only

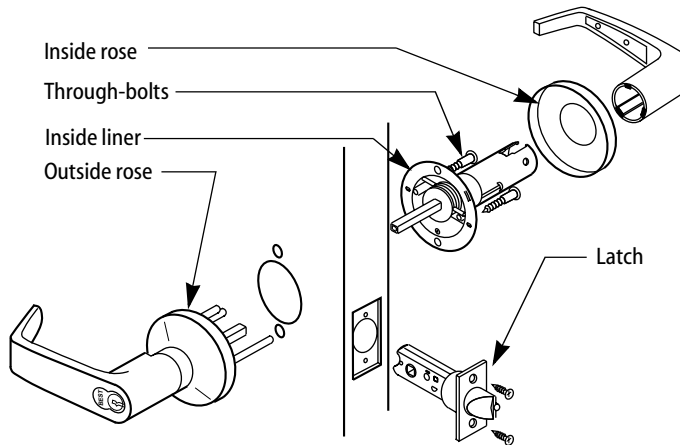


Figure 1

**Caution:** If you use hollow metal doors, determine whether the doors are reinforced enough to support the lock. If door reinforcement is not adequate, consult the door manufacturer for information on proper reinforcement.

### Simplified instructions

- 1 Install the latch so that the bevel on the latchbolt faces the strike.
- 2 Disassemble the inside trim.
- 3 Install the outside lever unit. Make sure to screw the stud bolts into the liner assembly.
- 4 Install the liner, rose, lever, and strike.

For field door preparation and detailed installation instructions, see the following steps.

## 1 Position template

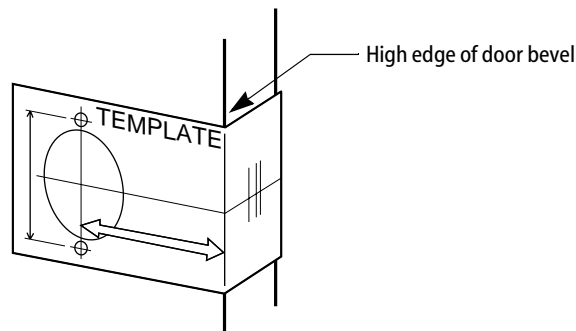


Figure 2—Positioning the template

- 1 Fold the template and place in position on the high edge of the door bevel as shown in Figure 2.
- 2 Mark the drill points.

**Note:** Suggested height from floor to centerline of the lock is 40 5/16." If steel frames are used, the latch centerline must be in line with the center of the strike preparation.

## 2 Bore and drill holes

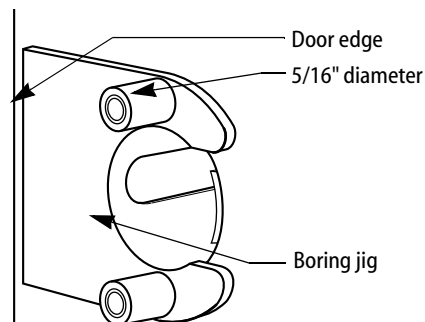


Figure 3—Installing the boring jig

**Note:** For 2 3/8" backset locks, locate and drill the holes according to the paper template. For 2 3/4" locksets use the following steps.

- 1 Bore a 2 1/8" diameter hole from both sides of the door, to the center of the door as shown in Figure 4.
- 2 Drill a 1" diameter hole from the edge of the door that intersects the 2 1/8" hole.
- 3 Cut out notches for liner tabs on both sides of the door.
- 4 Install the boring jig (KD303) into the door. Make sure the front edge of the jig is parallel with the door edge (see Figure 3).
- 5 Drill two 5/16" diameter holes halfway **only** into the keyed side of the door.

**Note:** Replace the boring jig after ten door preparations.

## 3 Install latch

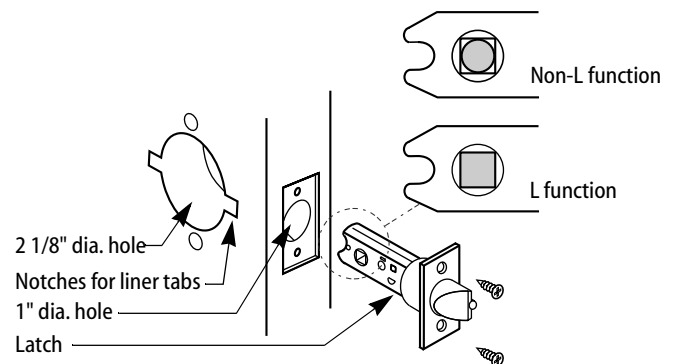


Figure 4—Boring two holes and installing the latch

- 1 Mortise the door edge for the latch face.
- 2 Install the latch and check the door swing. Latch hubs should project into the 2 1/8" diameter hole.

**Note:** For "L" function privacy locks, be sure to use the "L" function latch. See Figure 4.

## 4 Disassemble inside trim

- 1 Press the lever keeper with the pin punch or tool tip in the keeper hole as shown in Figure 5.

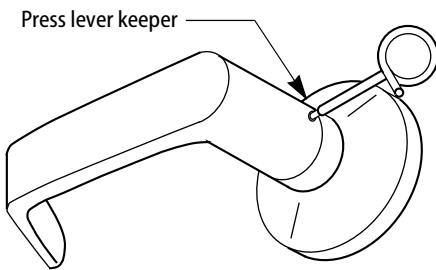


Figure 5—Pressing the lever keeper

- 2 Slide the lever off of the sleeve.
- 3 Press the rose catch with the pin punch or tool tip and remove the rose.

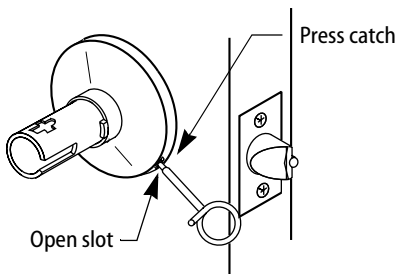


Figure 6—Pressing the rose catch

## 5 Install outside lever

- 1 Screw the two stud bolts in the outside rose assembly.
- 2 Install the outside lever assembly, correctly positioning the spindle and through-bolt stems through the latch.

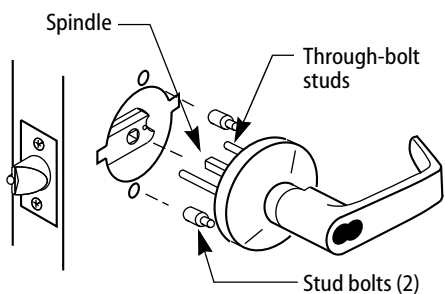


Figure 7—Installing the outside lever

**Note 1:** If the anti-rotation tabs do not seat in the wood surface, cut out extra clearance so that they do seat properly.

**Note 2:** The outside lever must be in the UNLOCKED position during installation.

## 6 Install inside rose

- 1 Install the inside rose liner by placing it on the spindle and aligning the two screw holes closest to the sleeve with the two through-bolt stems. See Figure 8.

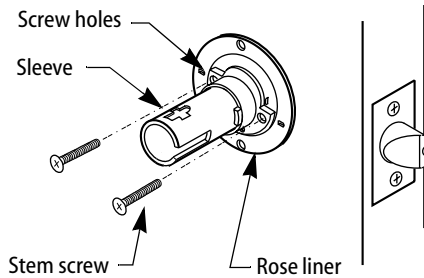


Figure 8—Mounting the inside rose liner

- 2 Push the rose liner flush against the door.
- 3 Insert the stem screws and tighten until the lock is fixed.
- 4 Slip the inside rose over the sleeve aligning the open slot on the edge of the rose with the spring catch on the rose liner as shown in Figure 6.
- 5 Tip the rose slightly, pressing the spring catch (if needed) to allow the rose to snap onto the liner. Be sure the spring catch protrudes slightly from the slot and the rose is against the door around the entire edge.
- 6 Pull on the rose to verify the complete engagement.

## 7 Install inside lever

- Line up the lug in the lever shank with the slot in the sleeve.

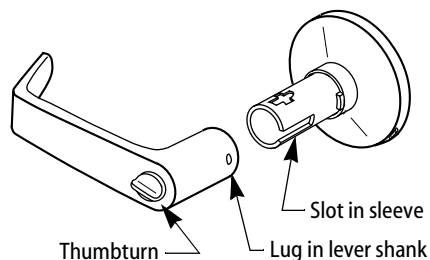


Figure 9—Installing the inside lever

### For turnbutton levers:

- 1 Make sure that the thumbturn is in the unlocked (horizontal) position as shown in Figure 9.
- 2 Pull on the thumbturn to make sure that it cannot come out. If it does, turn it 180 degrees.

### For all levers (including turnbutton levers):

- 1 Push the lever on completely.

- 2 Pull on both inside and outside levers to confirm complete installation.

## 8 Install strike plate

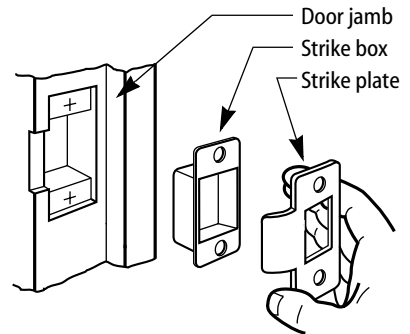


Figure 10—Installing the strike box and plate

- 1 Mortise the door jamb to fit the strike box and strike plate. Make sure to align the strike plate and latchbolt centers.

**Caution:** The deadlocking plunger of the latchbolt must not enter the strike plate opening. The plunger deadlocks the latchbolt and prevents forcing the latch when the door is closed. A gap of more than 1/8" may reduce security and/or cause improper operation of the latchbolt.

- 2 Insert the strike box and secure the strike plate with the screws provided.

## 9 Install core

- 1 Insert the proper throw member into the core. Six-pin cores require the number '6' throw member; seven-pin cores require the number '7' throw member.
- 2 Insert the control key into the core and turn the key 15 degrees clockwise.
- 3 Insert the core and throw member into the lever with the control key as shown in Figure 11.

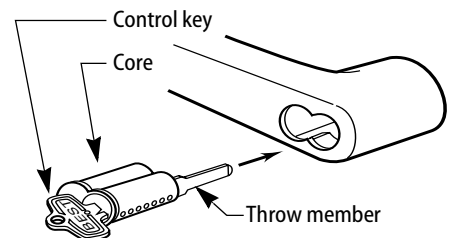


Figure 11—Installing the core

- 4 Turn the key 15 degrees counterclockwise and remove the key.

**Note:** To remove the core reverse these steps.