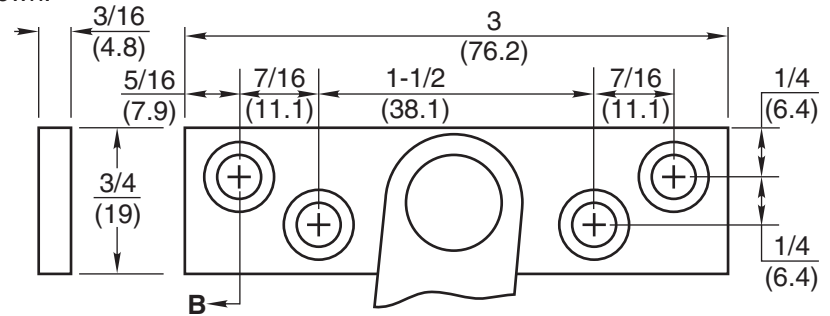


INSTALLATION INSTRUCTIONS

1. Select proper dimensions from chart on opposite side of page.

NOTE: Add 5/8" (15.8) to "A" dimension for dead stop.

2. Locate "B" dimension on frame and mortise 7/16" (11) deep for jamb bracket as shown.



3. Locate "A" and "F" dimensions on centerline of frame and mortise 13/16" wide x 7/8" deep (20.6 x 22.2) for channel, 1/16" (1.6) head clearance shown. Coordinate the arm and rail cutout dimensions if head clearance varies.

4. Locate "C" And "E" dimensions on top of door and mortise 1/4" (6.4) deep as shown for arm clearance.

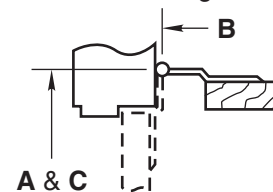
5. Install door stop or holder with screws provided.

Notes:

- All hollow metal frames are to be provided with 3/16" (4.8) min. thickness x 12" (304.8) min. length reinforcement plates.
- All hollow metal doors are to have minimum 3/16" reinforcement plates.
- If dead stop is required add 5/8" (15.8) to "A" dimension as noted on opposite side of page.
- A, B and C dimensions are measured from centerline of pivot, not edge of door.
- Reversible, non-handed.
- All dimensions are given in inches (mm).

Caution:

Note location of swing clear hinge centerline to determine "A" and "B" dimensions.



Screw Details

Jamb	Door
#12-24 x 1/2" FHMS or #12 x 1-1/2" FHWS	#12-24 x 1-1/2" FHMS or #12 x 1-1/2" FHWS

No. 2 Series Inverted Concealed Door Stops and Holders

RIXSON

ASSA ABLOY

www.rixson.com

TEMPLATE NUMBER

OH80010A

DATE

07-16

No. 2 Series Concealed Door Stops and Holders

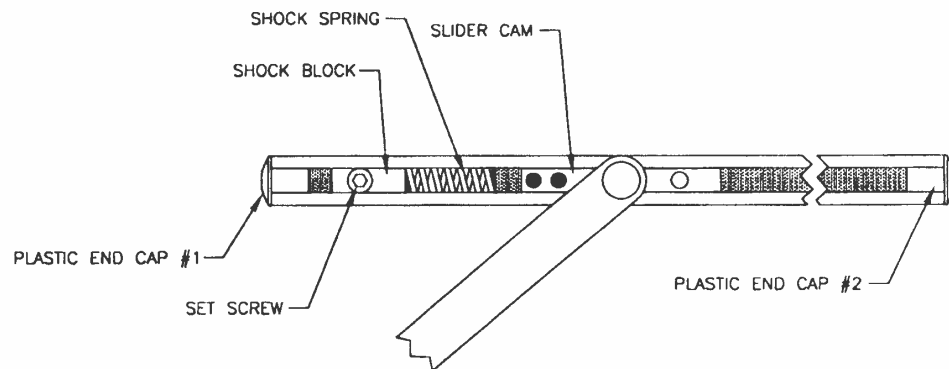
1. See other side for installation instructions.
2. Select proper dimensions noted below.
3. Add 5/8" to "A" dimension for dead stop.
4. All dimensions given in inches.

When Using Center Hung Pivots, Check Pivot Manufacturer's Compatibility Prior to Specifying

* Butt mounting only.
Reversible, non-handed.

Metric = decimal (numerator divided by denominator) x 25.4.

	Device Number				Door Opening	A	B	C	E	F
	Friction	H.O.	Stop	Multi						
1-3/4 - 2-1/4 (44.5 - 57.2) Butts & 3/4 (19) Offset Pivot	2-116	2-126	2-136	2-146	*18 - 24	1-3/16	3-11/16	2-3/4	12-13/16	15-7/8
	2-216	2-226	2-236	2-246	24-1/16 - 30	4	4-3/8	3-3/4	15-1/2	17-1/16
	2-316	2-326	2-336	2-346	30-1/16 - 36	6-3/4	5-9/16	4-3/4	18-3/4	18-13/16
	2-416	2-426	2-436	2-446	36-1/16 - 42	9-7/8	7-1/4	7	23	21-1/4
	2-516	2-526	2-536	2-546	42-1/16 - 48	13-13/16	8-1/2	7-3/4	27	23-1/16



TO SELECT DEGREE OF STOP

1. With a 3/16 hex key wrench, loosen the Set Screw in the Shock Block.
2. Open door to desired degree of opening.
3. Slide Shock Block and Spring until the Spring touches Slider Cam.
4. Tighten Set Screw.
5. Verify door opening position and re-adjust, as needed.

No. 2 Series Inverted Concealed Door Stops and Holders

RIXSON

ASSA ABLOY

www.rixson.com

TEMPLATE NUMBER

OH80010B

DATE

07-16