

# *Life Safety and Security Door Hardware*



# KEYSWITCHES

## CS-400 Series

The CS-400 series Keyswitches are designed as control devices for use with Access Control Systems, Delayed Egress, Electric Dogging and Exit Alarms. Other products that require remote input may also use one of these switches. The 430 and 450 models use momentary switches; the 440 and 460 models use maintained switches.



CS-432, CS-442, CS-452  
and CS-462  
(2 LEDs - red and green)  
Shown with Cylinder  
(Cylinder sold separately)



CS-430, CS-440, CS-450  
and CS-460  
(No LED)  
Shown with Cylinder  
(Cylinder sold separately)

### Benefits

- Available in eight different configurations to meet many different requirements
- Easily fits standard switch outlet box, 1 7/8" deep minimum

### Features


- Accepts any standard 5, 6 or 7 pin mortise cylinder with Yale cam
- Heavy duty, extruded stainless steel faceplate
- LED's (green and red) allow 12 or 24 VDC input
- Maintained, momentary switches available
- 2-position switch bracket allows for clockwise and counter-clockwise rotation of cylinder

### Technical Information

- Momentary Switch - Form C contacts, 5 amp rating (Switch activated when pushed, deactivated when released)
- Maintained Switch - Form C contacts, 5 amp rating (Switch activated when pushed, deactivated when pushed again)
- 2.75" wide x 4.5" high x 1.75" deep
- When used with a 7 pin cylinder, use collar, Detex p/n 103003



Detex Corporation  
302 Detex Drive  
New Braunfels, Texas 78130-3045 USA  
PH. (830) 629-2900  
(800) 729-3839  
FAX (800) 653-3839  
<http://www.detex.com>  
USA Sales:  
[marketing@detex.com](mailto:marketing@detex.com)  
International Sales:  
[export@detex.com](mailto:export@detex.com)

 Cancer & Reproductive Harm - [www.detex.com/prop65](http://www.detex.com/prop65)

# MULTI-ZONE ANNUNCIATORS

## RP-600 SERIES

The RP-600 multi-zone annunciators are innovative door management products that provide an efficient means of displaying the condition of security devices throughout a monitored facility. An RP-600 multi-zone annunciator serves to provide visual and audible indication of alarms as they occur, giving security personnel the ability to monitor a large complex from a single location.



8 Zone Annunciator



12 Zone Annunciator

### Benefits

- State-of-the-art monitoring in compact package
- Electronics organized into modules for wide range capabilities
- Provides visual and audible indications allowing monitoring of a large complex from a single location

### Features

- Available 8-zone (RP-621) or 12-zone (RP-631)
- Zone shunt allows user to by-pass any selected zone
- Latch control assures point of alarm is reset
- Offers standard or optional controls
- Bi-colored LEDs easily identify status
- Utilizes standard 2 or 4 gang deep electrical mounting boxes - not provided
- Pushbutton reset
- 12VDC

### Dimensions

- RP-621 - 8 Zone  
4.6"W x 4.6"H x 2.5"D
- RP-631 - 12 Zone  
6.4"W x 4.6"H x 2.5"D

### Detex Limited Warranty

3 Year Limited Manufacturer's Warranty



Detex Corporation  
302 Detex Drive  
New Braunfels, Texas 78130-3045 USA  
PH. (830) 629-2900  
(800) 729-3839  
FAX (800) 653-3839  
<http://www.detex.com>  
USA Sales:  
[marketing@detex.com](mailto:marketing@detex.com)  
International Sales:  
[export@detex.com](mailto:export@detex.com)

 Cancer & Reproductive Harm - [www.detex.com/prop65](http://www.detex.com/prop65)

# MAGNETIC LOCKS

## ML-1548

### 1500+ lb. Electromagnetic Lock

---

The Detex ML-1500 Series, Grade 1 Magnetic Lock meets or exceeds 1500 lbs. of holding force to the separation point. This is powerful enough to hold many doors against a force that will deform or destroy the door before the ML-1500 can be forced open. Positive, instantaneous failsafe operation is guaranteed, with no moving parts to bind or wear, the ML-1500 Series will release immediately when de-energized by Fire Life Safety System or remote controls.



628 Aluminum Finish

---

#### Benefits

- Easy mounting, time saving installation
- Physical installation of lock may be made before or after wiring is run
- Secure 1500+ lbs of holding force deters forced entry
- Maintenance free operation with no moving parts
- Matches any application or décor

---

#### Features

- Peel-n-stick paper template
- Interlocking slide mounting plate makes installation easy
- Plated and anodized surfaces
- Non-handed
- All steel magnetic core construction
- 12 / 24 VDC voltage sensing input
- Built-in spike protection
- Electronics module provides numbered terminal block connections, eliminating wire nuts

---

#### Mechanical Options

- ML-1548 - Aluminum 628 finish

---

#### Electrical Options

- RT - Relock Timer - 0-110 seconds

## Accessories

- Brackets

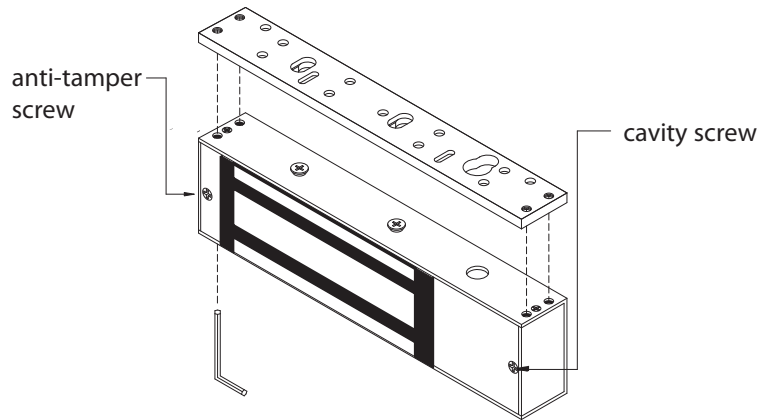
## Technical Information

- All steel magnetic core construction
- Housing is heavy aluminum
- .280mA @ 24VDC, .280mA @ 12VDC

## Finishes

- 628 - Aluminum

## Mounting Diagram



## Dimensions

- Magnetic Lock -  
10.5" L x 2.875" H x 1.625" D
- Armature -  
7.4375" L x 2.375" H x .625" D

Detex Limited Warranty  
3 Year Limited Manufacturers  
Warranty

## Listings and Approvals



UL Listed

LISTED



Meets ADA requirements



UBC 97, Standard 7-2 and  
UL10C for positive pressure



ANSI/BHMA certified  
A156.23 - 1992



Meets NFPA 80 & 101  
for Life Safety



California State Fire Marshal -  
3774-0324:100

City of New York  
MEA 61-95-E

*Where Trust is Built™*  
**DETEX®**  
*Life Safety, Security and Security Assurance*

Detex Corporation  
302 Detex Drive  
New Braunfels, Texas 78130-3045 USA  
PH. (830) 629-2900  
(800) 729-3839  
FAX (800) 653-3839  
<http://www.detex.com>  
USA Sales:  
[marketing@detex.com](mailto:marketing@detex.com)  
International Sales:  
[export@detex.com](mailto:export@detex.com)

Cancer & Reproductive Harm - [www.detex.com/prop65](http://www.detex.com/prop65)

# MAGNETIC LOCKS

## ML-1549W

### 1200+ lb. Weatherized Electromagnetic Lock

The Detex ML-1549W Weatherized Series, Grade 1 Magnetic Locks provide approximately 1200 lbs. of holding force to the separation point. Positive, instantaneous failsafe operation is guaranteed, with no moving parts to bind or wear, the ML-1549W Series will release immediately when de-energized by Fire Life Safety System or remote controls.



#### Benefits

- Easy mounting, time saving installation
- Weatherized for use in the harshest conditions
- Wiring may be run before or after installation of lock
- 1200 lbs of holding force deters unauthorized entry
- Floating armature design compensates for gate/door misalignment with the electromagnet
- Maintenance free operation with no moving parts

#### Features

- Stainless Steel Case
- Epoxy filled for weather resistance
- Non-handed
- Failsafe operation unlocks in a power outage
- Threaded couduit fitting
- Built-in bond sensor

#### Electrical Options

- Dual 12/24 VDC field selectable voltage

#### Accessories

- Various brackets (call factory)

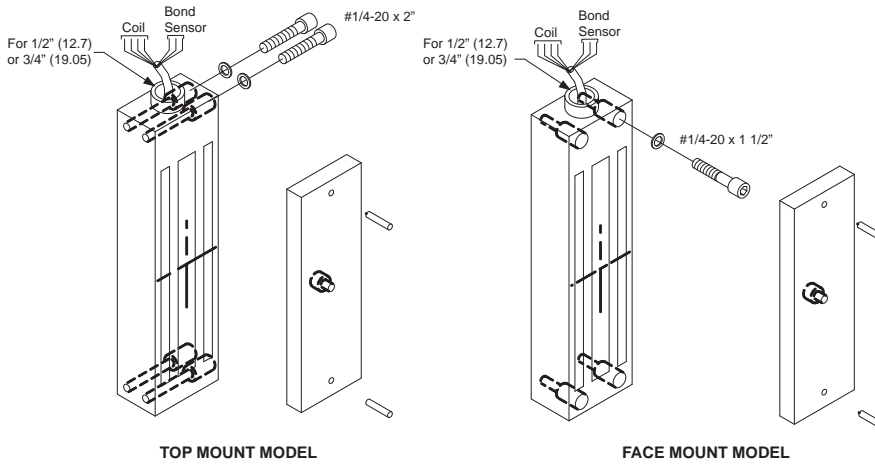
#### Technical Information

- All steel magnetic core construction
- .225mA @ 24VDC, .450mA @ 12VDC

Finishes (Advantex)

- 630 - Stainless Steel

Mounting Diagram



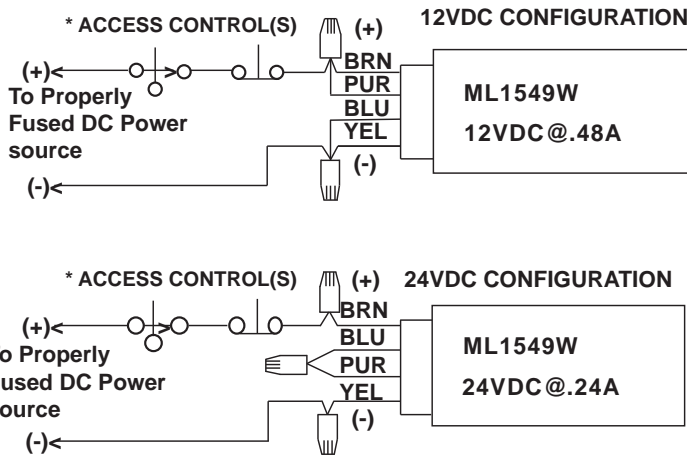
Dimensions

- Magnetic Lock - 1.61" D x 2.5" W x 8.66" L
- Armature - .63" D x 2.40" W x 7.283" L

Detex Limited Warranty

1 Year Limited Manufacturers Warranty

12VDC and 24VDC Configurations



Listings and Approvals



Detex Corporation  
 302 Detex Drive  
 New Braunfels, Texas 78130-3045 USA  
 PH. (830) 629-2900  
 (800) 729-3839  
 FAX (800) 653-3839  
<http://www.detex.com>  
 USA Sales:  
[marketing@detex.com](mailto:marketing@detex.com)  
 International Sales:  
[export@detex.com](mailto:export@detex.com)

Cancer & Reproductive Harm - [www.detex.com/prop65](http://www.detex.com/prop65)

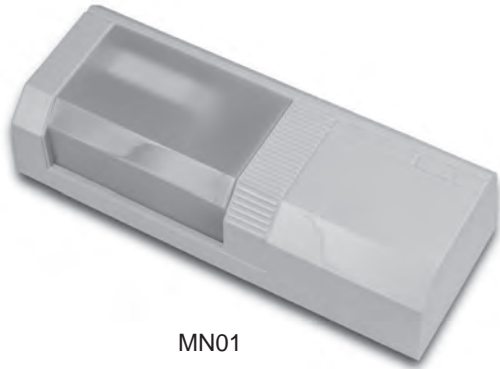


# MOTION DETECTORS

## MN01 & MN02

### Passive Infrared Sensors

The MN01 & MN02 provide reliable motion detection for passive "Request-to-Exit" installation. Superior white-light and RFI immunity and SMD circuitry provide outstanding performance and sensitivity.



MN01



MN02

### Benefits

- Hands-free activation
- Reliable detection
- Choice of fail safe/fail secure operation
- Easy to install
- Single or double door coverage

### Features

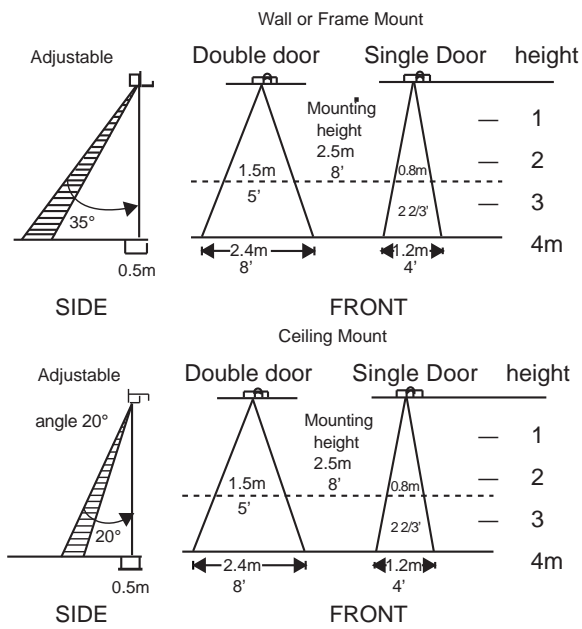
- Both offer special circuitry for superior RFI immunity
- Dual-Pyroelectric detection elements
- MN01 allows fail safe/fail secure selection
- MN02 provides fail safe default
- Both offer single or double door coverage

### Electrical Options

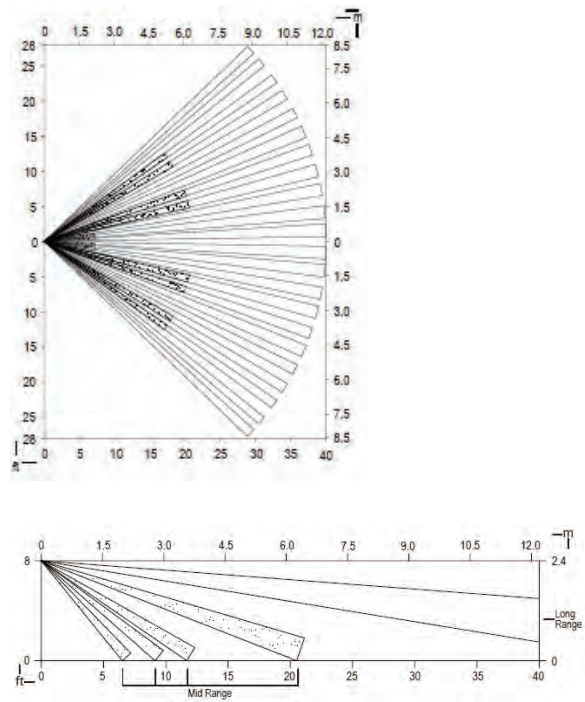
- MN01 requires 12 to 24VDC or AC
- MN02 requires 10 to 16 VDC
- Form C Relay (Signal pole, double throw)
- Form A Relay (normally open)
- Alarm Output: Normally Closed Solid State, 19VDC @ 100mA max input, 13 ohms resistance type
- Tamper Output: Normally Closed Dry Contact, 30VDC @ 500mA max input (5 watt max)



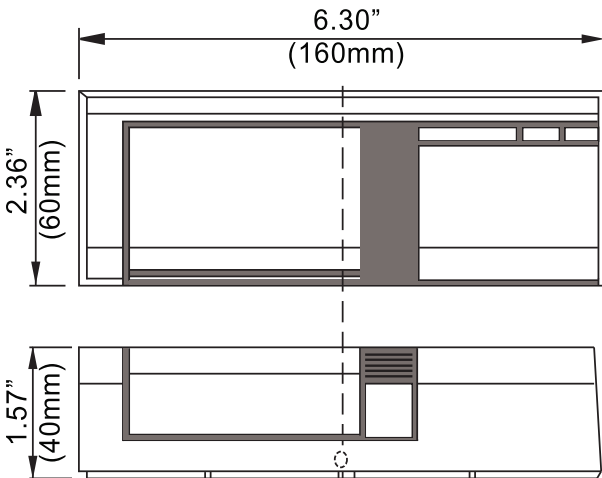
Detection Area - MN01



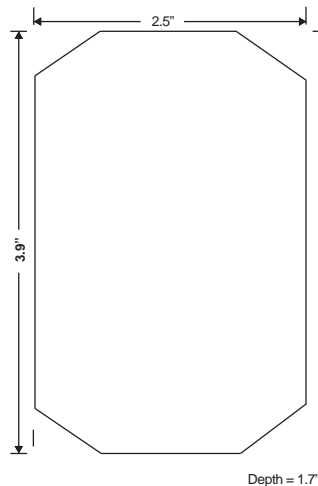
Detection Area - MN02



Dimensions - MN01



Dimensions - MN02



Listings and Approvals



Detex Limited Warranty  
1 Year Limited Manufacturer's Warranty



Detex Corporation  
302 Detex Drive  
New Braunfels, Texas 78130-3045 USA  
PH. (830) 629-2900  
(800) 729-3839  
FAX (800) 653-3839  
<http://www.detex.com>  
USA Sales:  
[marketing@detex.com](mailto:marketing@detex.com)  
International Sales:  
[export@detex.com](mailto:export@detex.com)

Cancer & Reproductive Harm - [www.detex.com/prop65](http://www.detex.com/prop65)

# MAGNETIC SWITCH

## MS-2049F, MS-2049S, MS-2049SC, MS-2049SI

These magnetic switches are designed primarily to serve as sensing devices to detect the opening of a door or window; to assure that a protected door is securely under surveillance; to serve as a trigger for a wall-mounted Detex Exit Alarm; to signal that a door has been inadvertently left open; and to be used as a direct switch to set off many kinds of audio and visual alarms.



**MS-2049F Flush  
Magnetic Switch**



**MS-2049S Surface Mounted  
Magnetic Switch**



**MS-2049SC Surface Mounted  
Magnetic Switch  
with conduit connector for use  
with thin-wall conduit**



**MS-2049SI Surface Mounted  
Magnetic Switch  
for In-Swinging Doors**

### Benefits

- Provides assurance that protected doors are under surveillance
- Serves as a trigger for alarms or remote monitors
- UL listed for use on fire rated doors and assemblies

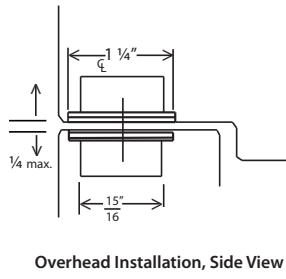
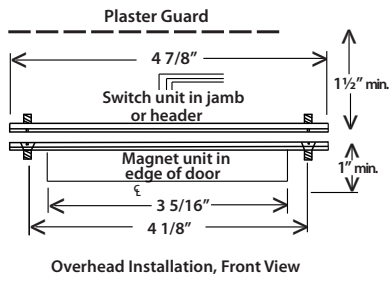
### Features

- Tamper protection - mounting screws inaccessible when door closed
- Components potted to protect against shock and moisture
- Easy installation with concealed wiring and color coded leads
- Surface mounted units are housed in a durable high impact ABS thermoplastic, a UL listed material used in the manufacture of telephones, auto bodies, etc.
- Wide range of alarm and signal applications
- Minimizes false signals due to loosely closed doors
- Switch rated for over one million operations under load

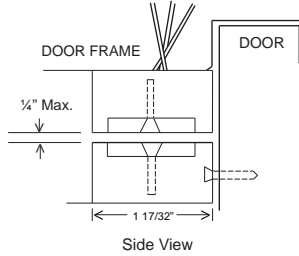
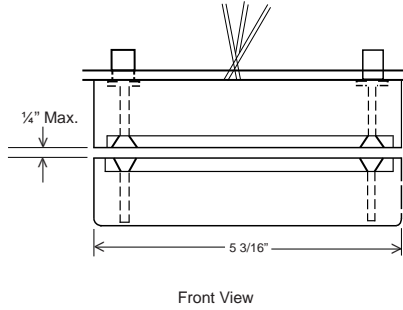
### Technical Information

- Maximum contact ratings - 24VDC @ .5A
- For use on steel, aluminum or wood doors and frames
- May be mounted on stiles as narrow as 1-3/8"
- Overhead (preferred) or latch-stile mounting available for all models
- Switch - single pole, double throw (SPDT)
- The flush device (MS-2049F) should have the switch contact housed in the door frame and the magnet mortised in the edge of the door
- Wiring leads, 12" long, color coded, concealed

## Dimensions (MS-2049F)

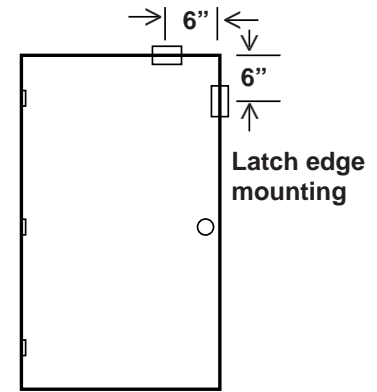


## Dimensions (MS-2049S)



## Riser Diagram

### Overhead mounting (preferred)



## Listings and Approvals



“UL Listed Miscellaneous  
Fire Door Accessories”  
“UL Listed Door Position  
Switch”

## Detex Limited Warranty

3 Year Limited Manufacturers  
Warranty

Cancer & Reproductive Harm - [www.detex.com/prop65](http://www.detex.com/prop65)

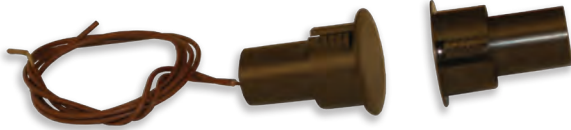
*Where Trust is Built™*  
**DETEX®**  
*Life Safety, Security and Security Assurance*

Detex Corporation  
302 Detex Drive  
New Braunfels, Texas 78130-3045 USA  
PH. (830) 629-2900  
(800) 729-3839  
FAX (800) 653-3839  
<http://www.detex.com>  
USA Sales:  
[marketing@detex.com](mailto:marketing@detex.com)  
International Sales:  
[export@detex.com](mailto:export@detex.com)

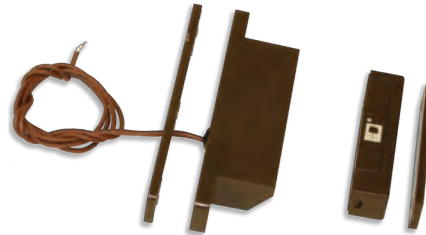
# MAGNETIC SWITCH

## MS-1039F, MS-1039S, MS-1059F, MS-1059S

These magnetic switches are designed primarily to serve as sensing devices to detect the opening of a door or window; to assure that a protected door is securely under surveillance; to serve as a trigger for a wall-mounted Detex Exit Alarm; to signal that a door has been inadvertently left open; and to be used as a direct switch to set off many kinds of audio and visual alarms.



MS-1039F (White) / MS-1059F (Brown)  
Flush Magnetic Switch  
(MS-1059F Shown)



MS-1039S (White) / MS-1059S (Brown)  
Surface Mounted  
Magnetic Switch  
(MS-1059S Shown)

### Benefits

- Anti-Tamper Design
- Provides assurance that protected doors are under surveillance
- BMS - Balanced Magnetic Switch provides improved security
- Serves as a trigger for alarms or remote monitors
- Simple Installation

### Features

- Polarity selection is non-critical
- Flush switches are self-locking
- Color selection white/brown
- Flush switches are solid, one-piece design with no need for extra donut adapters
- Durable Magnet
- Wide range of alarm and signal applications

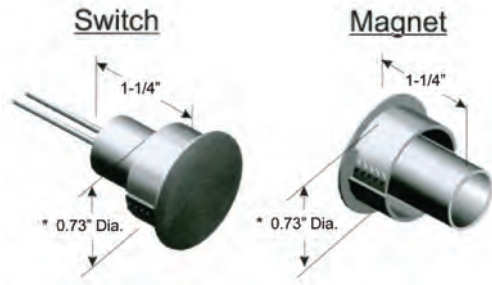
### Technical Information

- Surface switches have Max. Contact rating 30VDC @ 250mA
- Overhead (preferred) or latch-stile mounting available for all models
- The MS-1039F (Flush mount) should have the switch contact housed in the door frame and the magnet mortised in the edge of the door
- Flush switches have Max. Contact rating 28VDC, 0.5A, 10W
- Switch - single pole, single throw (SPST)
- Normally closed contact
- For use on steel, aluminum or wood doors and frames

### Finishes

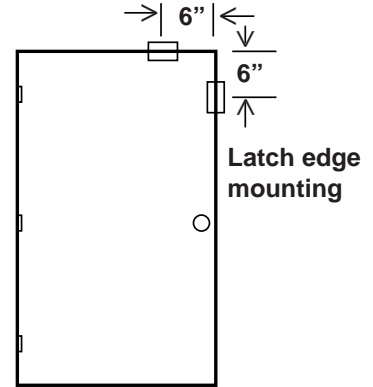
- MS-1039F/S - White
- MS-1059F/S - Brown

Dimensions (MS-1039F/MS-1059F)

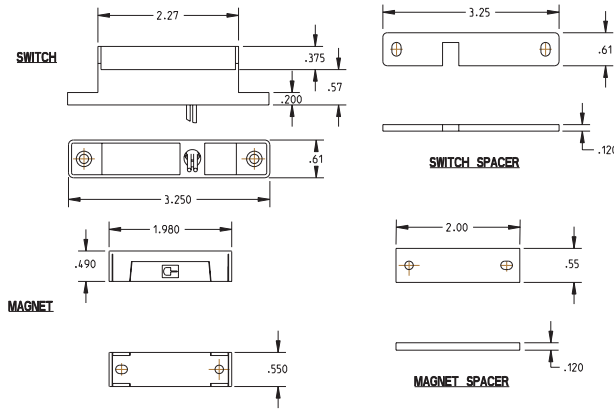


Riser Diagram

Overhead mounting (preferred)



Dimensions (MS-1039S/MS1059S)



Detex Limited Warranty  
 3 Years Limited Manufacturers  
 Warranty



Detex Corporation  
 302 Detex Drive  
 New Braunfels, Texas 78130-3045 USA  
 PH. (830) 629-2900  
 (800) 729-3839  
 FAX (800) 653-3839  
<http://www.detex.com>  
 USA Sales:  
[marketing@detex.com](mailto:marketing@detex.com)  
 International Sales:  
[export@detex.com](mailto:export@detex.com)

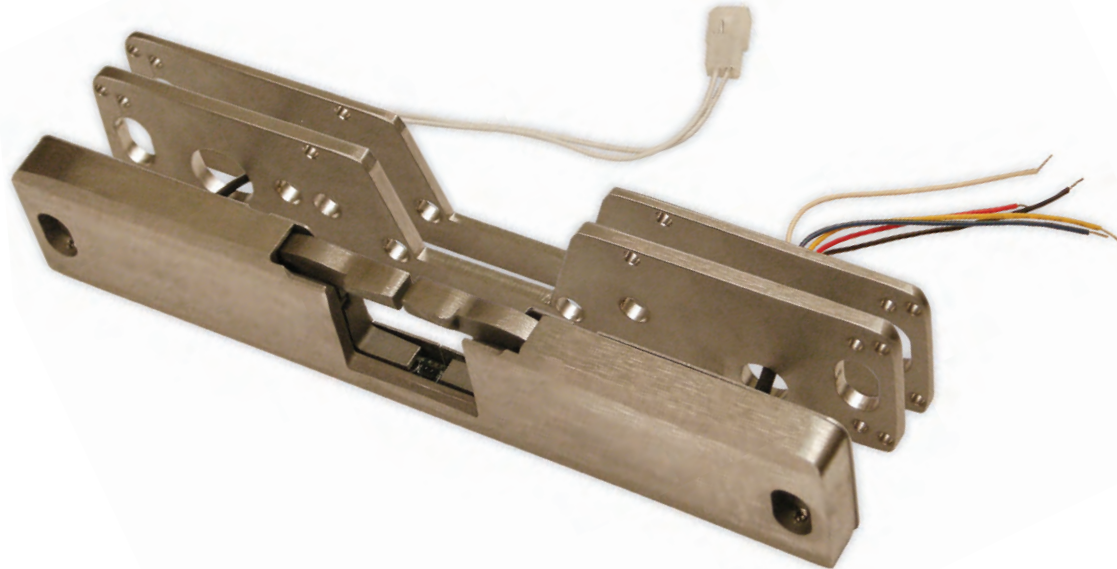
Cancer & Reproductive Harm - [www.detex.com/prop65](http://www.detex.com/prop65)

# ELECTRIC STRIKES

## DS-24

### Electric Strike

The DS-24 is a heavy duty electric strike for use with Advantex and Value Series rim exit devices.



#### Benefits

- Accommodates a variety of frame types and cut outs, but easily mounts to the surface of most frames
- Latch bolt sensor provides extra level of security
- Plug-in modular wiring allows for faster installation
- Built-in electronics automatically allow between 11 and 28V DC input with surge and kickback protection saves time and money
- Kit includes 1/4" spacer and 1/8" spacer for perfect alignment with Advantex and Value Series rim latch bolt. Use both for perfect alignment when using Detex devices. For use with other exit devices, see competitor template.

#### Features

- Fail secure / Fail safe field reversible
- Increase life and decrease maintenance due to electronic vs. mechanical operation
- Non-Mechanical operation
- 6-pin anchoring system for strength and stability
- Handed - field reversible
- Ignores ambient light, detecting radiant Infrared reflections off the pullman latch
- One piece locking mechanism with one Solenoid
- Tested to hold over 1500 pounds
- Sensor is concealed within the unit
- Sensor does not require any adjustment

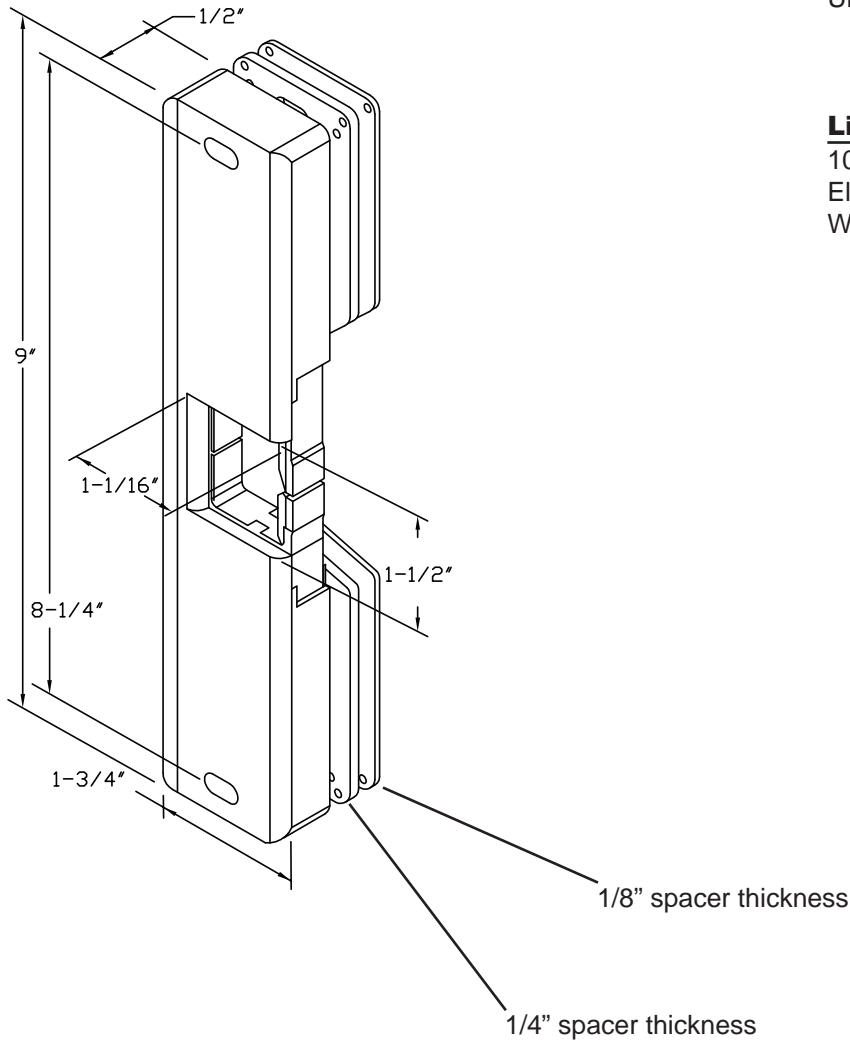
#### Technical Information

- Sharp® Infrared optical sensor with Normally Open and Normally Closed contact terminals, rated for 1 Amp at 24V AC or DC
- Sensor Power - 12 through 30V DC
- Strike - 11-28V DC
- Max Current Draw (strike):  
12V DC = .5A  
24V DC = .255A

## Finishes

- 630/US32D Brushed Stainless Steel on strike
- Spacers are steel

## Dimensions



## Listings

UL10C Fire Rated

## Limited Warranty

10 Year Mechanical / 2 Year  
Electrical Manufacturer's Limited  
Warranty

*Where Trust is Built™*

**DETEx**®

*Life Safety, Security and Security Assurance*

Detex Corporation  
302 Detex Drive  
New Braunfels, Texas 78130-3045 USA

PH. (830) 629-2900

(800) 729-3839

FAX (800) 653-3839


<http://www.detex.com>

USA Sales:

[marketing@detex.com](mailto:marketing@detex.com)

International Sales:

[export@detex.com](mailto:export@detex.com)

 Cancer & Reproductive Harm - [www.detex.com/prop65](http://www.detex.com/prop65)

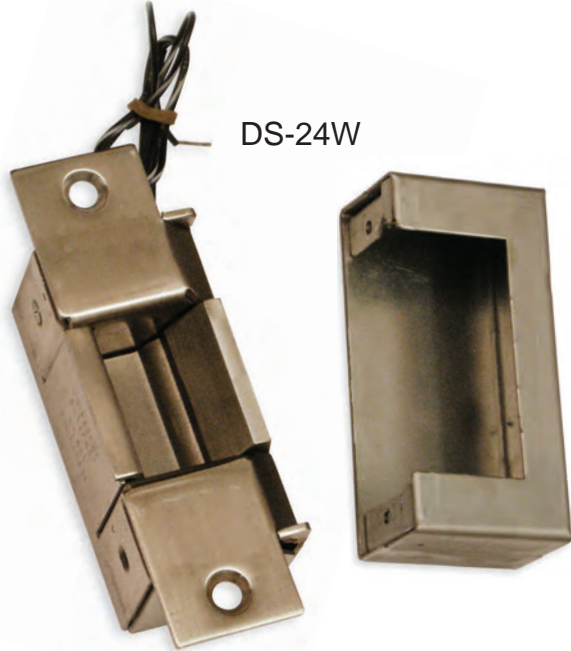


# ELECTRIC STRIKES

## DS-24W

### Weatherized Electric Strike

The DS-24W is a weatherized electric strike for use on gates and doors that are exposed to the elements.



### Benefits

- Perfect for exterior doors and gates providing access control outdoors
- Factory set at 24VDC and for rim panic device for easy installation
- Kit includes electric strike, gate box and angle bracket for a variety of mounting options

### Features

- Handed - field reversible
- Tested to hold over 2000 pounds
- Standard 24VDC. Easy to convert to 12VDC
- Fail secure / Fail safe / field reversible
- Tested to over 1,000,000 life cycles

### Accessories

- DS-24W-KIT - Includes electric strike, gate box and bracket (GBKT) for mounting on gates

### Technical Information

- Max Current Draw:  
12VDC = .28A  
24VDC = .15A
- Standard 24VDC can be field converted to 12VDC

**Finishes**

• 630/US32D Brushed Stainless Steel on Strike

• Gate Box is steel for field welding or painting

• GBKT bracket is aluminum

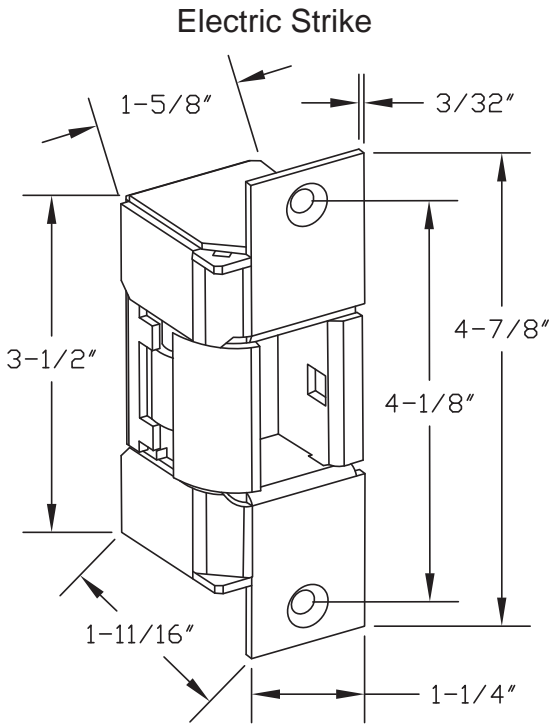
**Dimensions**

**Listings**

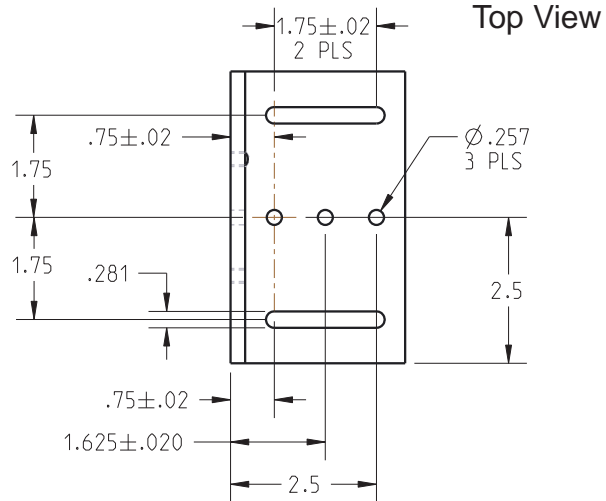
UL1034 Indoor/Outdoor Burglary Resistant

**Limited Warranty**

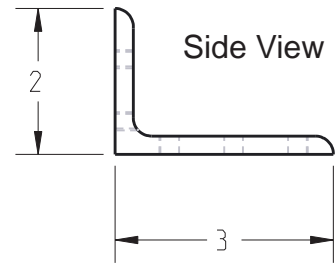
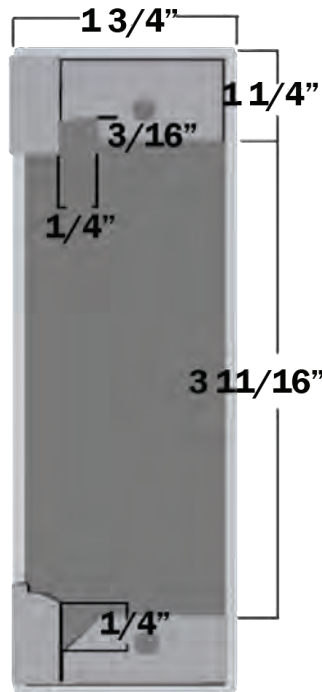
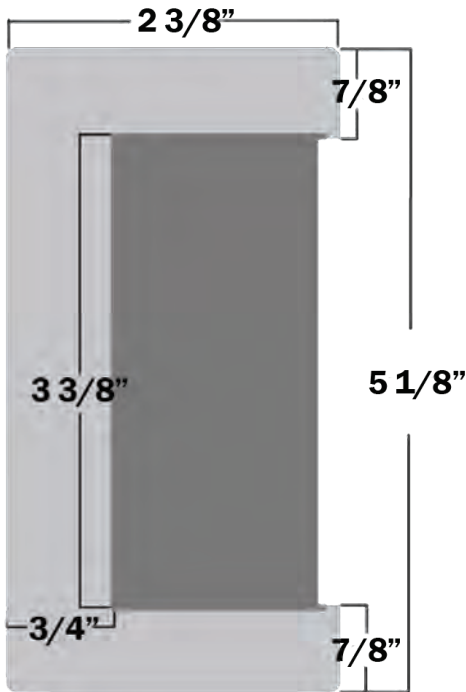
10 Year Mechanical / 2 Year Electrical Manufacturer's Limited Warranty



GBKT Bracket



Gate Box



Detex Corporation  
302 Detex Drive  
New Braunfels, Texas 78130-3045 USA  
PH. (830) 629-2900  
(800) 729-3839  
FAX (800) 653-3839  
<http://www.detex.com>  
USA Sales:  
[marketing@detex.com](mailto:marketing@detex.com)  
International Sales:  
[export@detex.com](mailto:export@detex.com)

⚠ Cancer & Reproductive Harm - [www.detex.com/prop65](http://www.detex.com/prop65)

# PUSHBUTTON CONTROLS

## PB-2000 / 2100 Series

Simple to install and easy to use, the PB-2000 series of push button controls allow for lock or magnetic lock release in access control and request to exit applications.



PB-2048



PB-2158



PB-2138

---

### Benefits

- Fast and easy installation
- Aesthetically pleasing design fits any décor

---

### Features

- Fits single switch box - flush or surface - approximately 2"

---

### Mechanical Options

- Mushroom button (Std.)
- Fits standard 2" switch box (Std.)
- Narrow/Mullion Plate
- Shrouded button
- Key switch cover

---

### Electrical Options

- Available in Normally Open, Normally Closed or Form C
- Available in Momentary or Maintained configurations

---

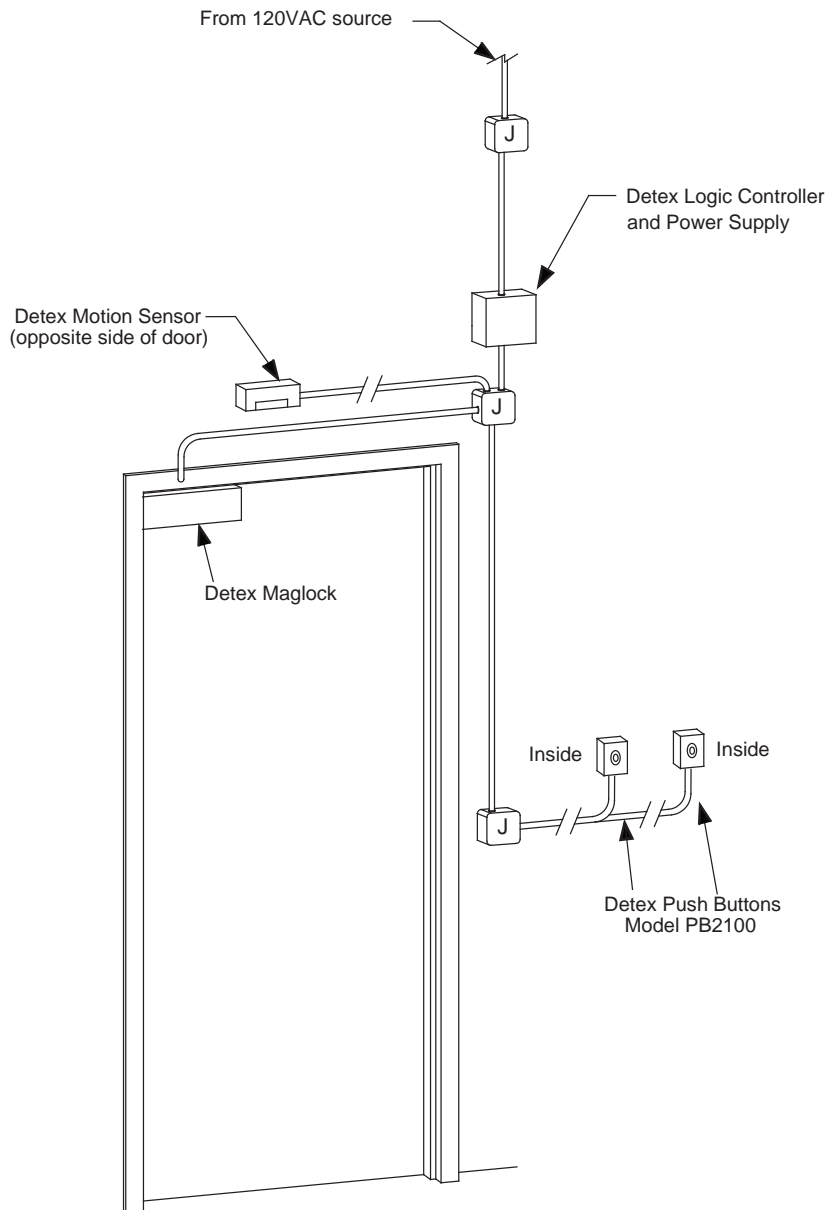
### Technical Information

- 12-24 VAC @ 100 mA
- Switch - UL File #E66677
- Switch - CSA Certified


---

### Finishes

- Painted Aluminum
- Stainless Steel



Detex Corporation  
302 Detex Drive  
New Braunfels, Texas 78130-3045 USA  
PH. (830) 629-2900  
(800) 729-3839  
FAX (800) 653-3839  
<http://www.detex.com>  
USA Sales:  
[marketing@detex.com](mailto:marketing@detex.com)  
International Sales:  
[export@detex.com](mailto:export@detex.com)

 Cancer & Reproductive Harm - [www.detex.com/prop65](http://www.detex.com/prop65)

# MISCELLANEOUS

## Power Transfers

Exposed or concealed, power transfers are used to protect wires that electrify door hardware. Either transmitting power to a low voltage electric latch retraction exit device or signaling a remote camera, wire transfers are essential to electrified door hardware.

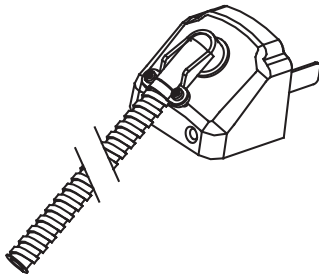
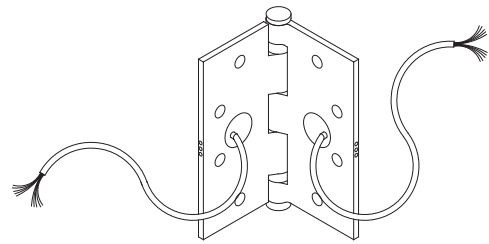


**PT-5** - Power Transfer loops provide a means of running wires from the frame to doors equipped with electric locks and exit devices. The PT-5 is a heavy-duty power transfer device, concealed mortise mount, UL listed miscellaneous fire door accessory. It is UL 10C positive pressure compliant and UBC 7-2 Fire Test for Door Assemblies compliant.

Dimensions: 10-1/4" L x 1" W x 3/4" D

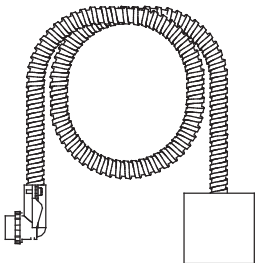
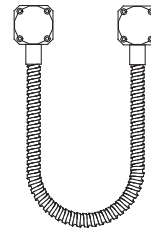
**EWH8-626** - This five-knuckle energy transfer hinge is ideal for door that require concealed low voltage transfer of power from the hinge jamb to the door. With a total of eight (8) wires, there are two (2) 20AWG for power, two (2) 22AWG for by-pass inputs and four (4) 28AWG for signaling, the center hole wire access location makes for easy installation

Hinge Size: 4.5" x 4.5"



**FCA** - Flex conduit and End Cap gives you 3 feet of flexible conduit, 10 wires with couplers with pin receptacle connectors and the Advantex standard end-cap with fittings.

**AL18** - Surface Mount Armor Loops - 18 inch long flexible conduit with two (2) stainless steel ends with two (2) couplers.



**JB1** - Junction Box - Flex Conduit Kit. Contains 9-1/2 feet of flex conduit, wire connectors and clamps required for installation.

Box Dimensions:  
4 5/8" W x 4 5/8" L x 2" D

*Where Trust is Built™*  
**DETEx**®  
*Life Safety, Security and Security Assurance*

Detex Corporation  
302 Detex Drive  
New Braunfels, Texas 78130-3045 USA  
PH. (830) 629-2900  
(800) 729-3839  
FAX (800) 653-3839  
<http://www.detex.com>  
USA Sales:  
[marketing@detex.com](mailto:marketing@detex.com)  
International Sales:  
[export@detex.com](mailto:export@detex.com)

 Cancer & Reproductive Harm - [www.detex.com/prop65](http://www.detex.com/prop65)

# AUXILIARY PRODUCTS

## S2B & HS2B Strobe and Horn/Strobe

---

For added security in your facility, Detex offers a line of additional strobes and horn/strobe combinations. When the environment is noisy, these will draw your attention to possible breaches in your security.



**S2B**  
Strobe Only



**HS2B**  
Horn / Strobe

---

### Benefits

- Plug-in design speeds installation
- Ample room in backbox prevents nicked/crushed wires
- Mounting plate shorting spring tests wiring before installation

---

### Features

- Knock-outs eliminate need for drilling

---

### Electrical Options

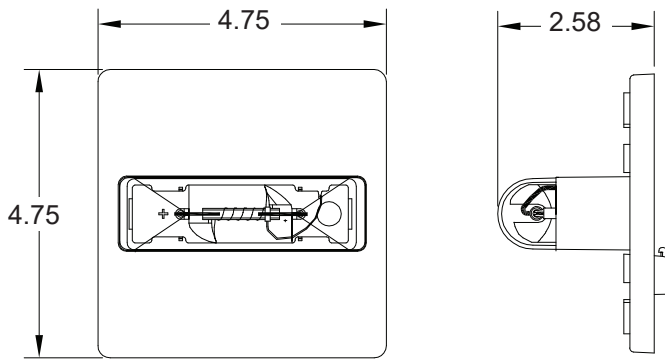
- S2B - Strobe only, 2 wire, 12/24VDC
- HS2B - Horn/Strobe, 2 wire, 12/24VDC

---

### Technical Information

- Standard operating temperature - 32 to 120F (0 to 49C)
- Flush Mounting - Std single gang backbox
- Input terminal wire gauge - 12 to 18 AWG
- Horn - Volume High 91dB at 24V and Volume Low 83dB at 24V
- Flush or surface - 4" x 1-1/2" deep backbox
- Strobe flash rate - 1 per second
- Voltage range - 16 to 33VDC
- 250mA max current draw

## Dimensions

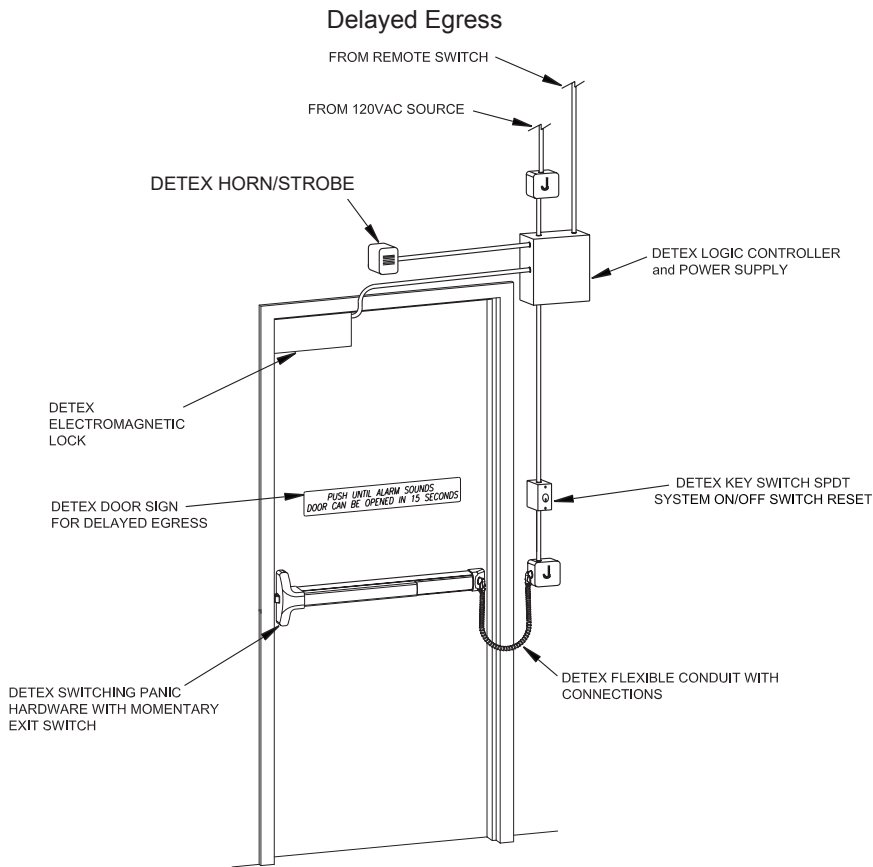


## Listings and Approvals



UL 1971  
 UL 464  
 UL 1638  
 ULC-S526-02

## Riser Diagram



*Where Trust is Built™*  
**DETEX®**  
*Life Safety, Security and Security Assurance*

Detex Corporation  
 302 Detex Drive  
 New Braunfels, Texas 78130-3045 USA  
 PH. (830) 629-2900  
 (800) 729-3839  
 FAX (800) 653-3839  
<http://www.detex.com>  
 USA Sales:  
[marketing@detex.com](mailto:marketing@detex.com)  
 International Sales:  
[export@detex.com](mailto:export@detex.com)

Cancer & Reproductive Harm - [www.detex.com/prop65](http://www.detex.com/prop65)



# SRN5W

## Remote Horn (For use indoors and outdoors)

For added security in your facility, Detex offers a remote horn that can easily be mounted on any surface. When the environment is noisy or an exterior sounder is needed, the SRN5W Remote Horn can draw attention to possible breaches in your security. The SRN5W can be used indoors as well as exterior environments.



Can be used with other Detex products to extend attention area

### Benefits

- Weatherized for indoor and outdoor installations
- Easy 4-wire hookups speed installation (2 power wires/2 relay wires)
- General Signaling certification allows use in typical door hardware applications (not fire alarm)
- Drain holes on face plate to allow water/moisture to escape
- 4"x4" enclosure allows ample room for wires and connections to be done quickly and easily
- Conduit fittings included

### Features

- 4"x4" enclosure - surface mount
- Die cast construction and design provides protection
- Weatherized electronics for use indoors and outdoors
- Gasketing on face
- Relay with wires activates when siren is sounding
- LED indicates relay output is activated and horn is sounding
- One page easy to follow instructions
- Side conduit input

### Mechanical Options

- Gray finish

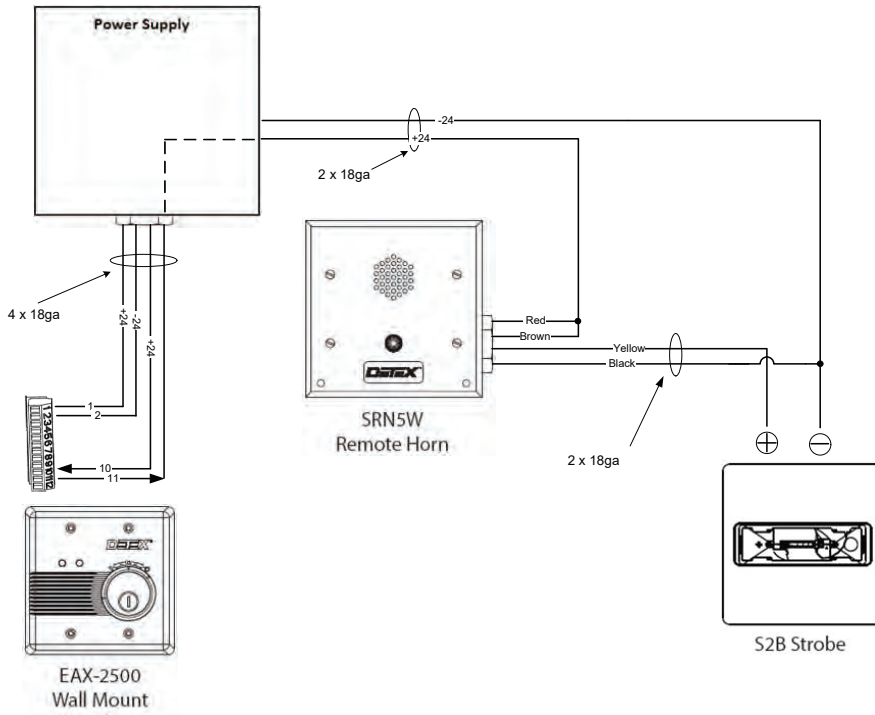
### Electrical Options

- 12VDC or 24VDC - auto sensing

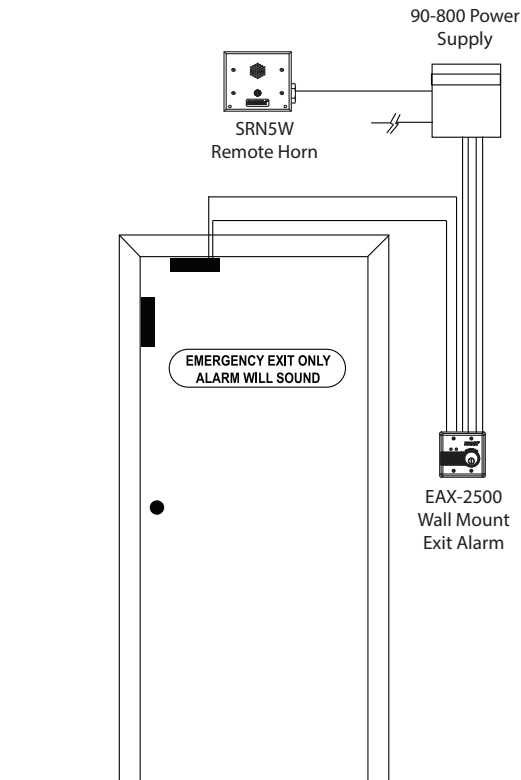
### Technical Information

- 12VDC @ 70mA  
24VDC @ 70mA
- 100dB siren
- Three threaded plugs and one conduit fitting included
- 2 wires for dry contact remote output activation  
Gray - Normally Closed  
Yellow - Normally Open  
Brown - Common
- 2 wires for 12/24VDC input power  
Black - Ground  
Red - 12VDC or 24VDC

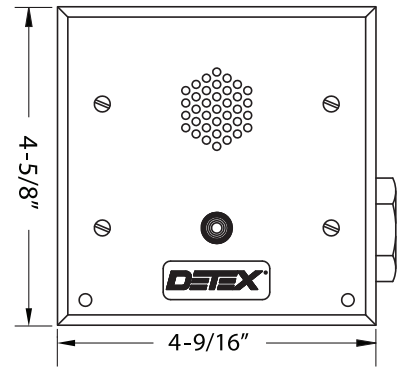
## Wiring Diagram



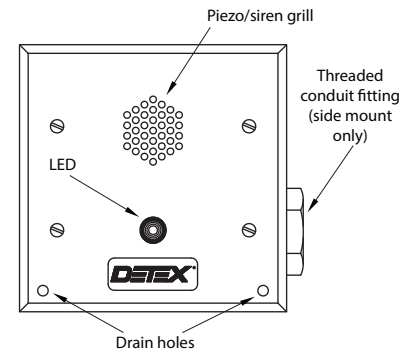
## Riser Diagram



## Dimensions



## Labels



## Listings and Approvals



ANSI/UL 464A  
Audible Signal Appliances  
for General Signaling Use

## Detex Limited Warranty

3 Years Limited Manufacturers  
Warranty

*Where Trust is Built™*  
**DETEx®**  
*Life Safety, Security and Security Assurance*

Detex Corporation  
302 Detex Drive  
New Braunfels, Texas 78130-3045 USA

PH. (830) 629-2900

(800) 729-3839

FAX (800) 653-3839

<http://www.detex.com>

USA Sales:

[marketing@detex.com](mailto:marketing@detex.com)

International Sales:

[export@detex.com](mailto:export@detex.com)

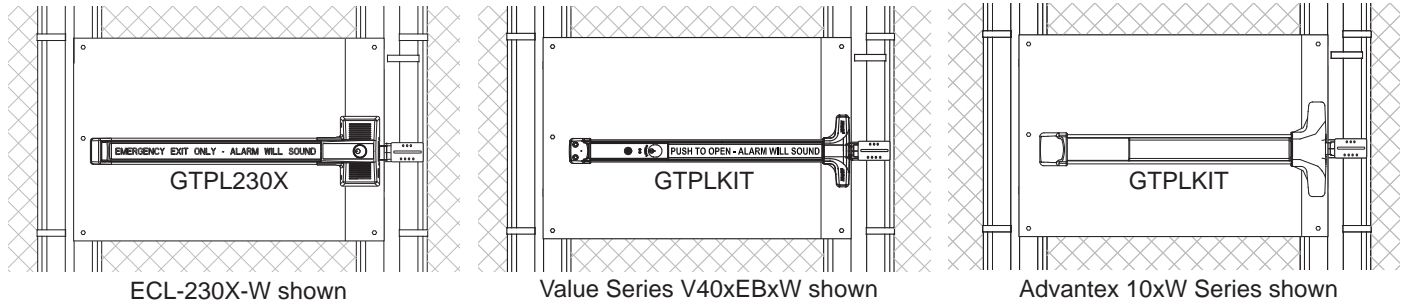
Cancer & Reproductive Harm - [www.detex.com/prop65](http://www.detex.com/prop65)

# Weatherized Accessories

## Gate Plate & Accessories

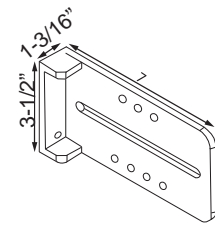
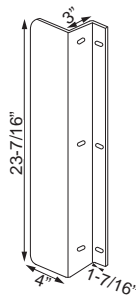
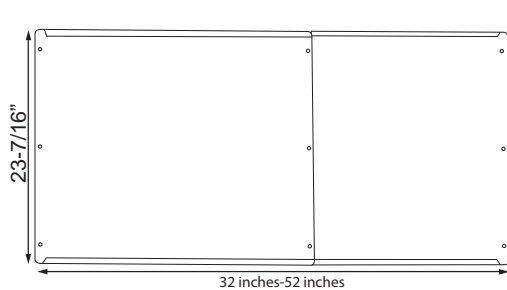
The mounting plate adjusts to fit different gate sizes. The adjustable receiving latch makes installation easy. The lockbox makes it possible to gain access from outside the gate by using a key. All accessories are available in silver or black finish.

### Push Side



### GTPLKIT

The kit includes:



#### GTPL / GTPL230X Adjustable Gate Plate

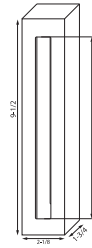
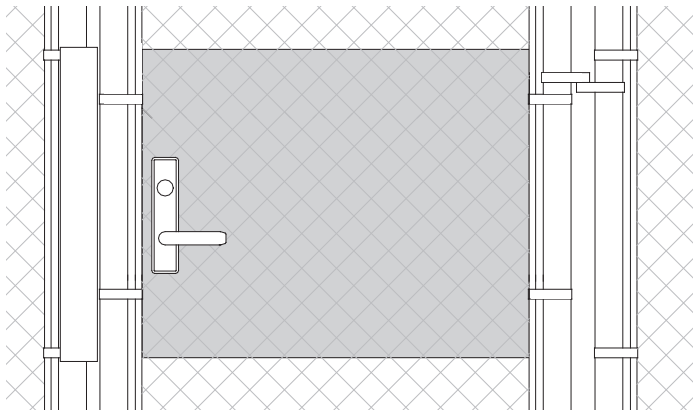
- Specify GTPL230X for ECL-230X application
- Specify GTPL for Advantex or Value Series application
- Fits Single Gates 32" - 52" wide
- Adjustable to fit wide variety of single gates
- Sleeved together
- Fits square or round gate frames
- GTPL does not come with exit device mounting holes
- GTPL230X does not come with mounting or lockbox holes

#### GTPLGRD Gate Latch Protector

- Provides added security
- For use on existing gate plate application where gap is larger than 1"

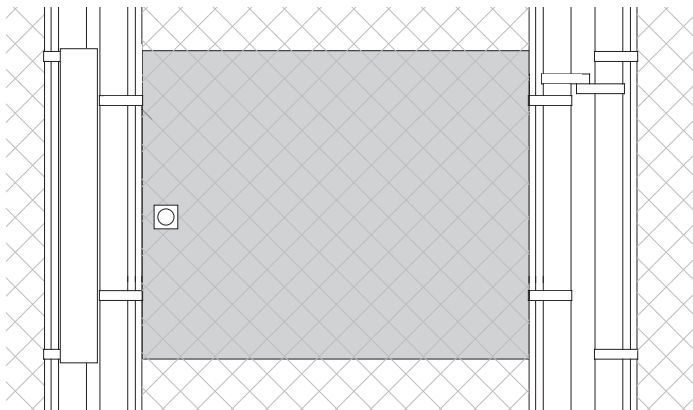
#### GTSTKBKT Strike Latch Receiver Bracket

- Includes stainless steel U-bolt, nuts, tek-screws
- 1/4" steel with powder-coat finish
- Doubles as gate stop
- Accommodates 99 strike for Advantex 10/40 Series and V40 Series
- Contact Detex for strike bracket for use with ECL-230X-W



**Spacer for Narrow Lever Trim**

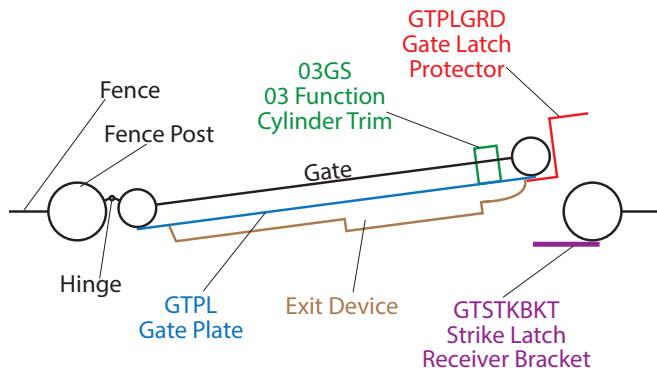
- For use with 02/08/09/14DN trims
- Narrow lever trim sold separately (specify handing)
- Extends for use with Detex spring-loaded tailpiece
- For use with Advantex and Value Series devices



**03 Function Cylinder Trim**

- Optional accessory
- For use with rim cylinder on gates
- Rim cylinder required (sold separately)
- For use with Advantex, Value Series and ECL devices

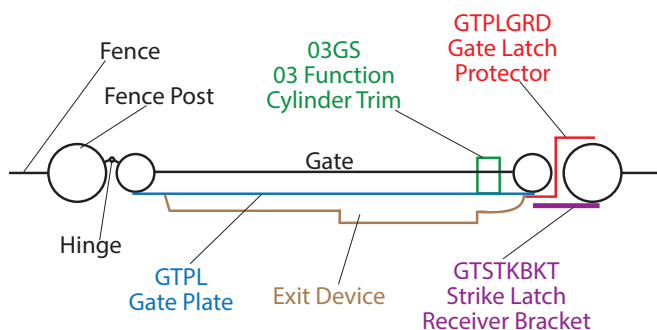
**Overhead View - Gate Open**



**Finishes**

- Silver (Std.)
- Black (Specify -BLK)

**Overhead View - Gate Closed**



Detex Corporation  
 302 Detex Drive  
 New Braunfels, Texas 78130-3045 USA  
 PH. (830) 629-2900  
 (800) 729-3839  
 FAX (800) 653-3839  
<http://www.detex.com>  
 USA Sales:  
[marketing@detex.com](mailto:marketing@detex.com)  
 International Sales:  
[export@detex.com](mailto:export@detex.com)

Cancer & Reproductive Harm - [www.detex.com/prop65](http://www.detex.com/prop65)