

IE-SS/A, IE-SSR

Vandal Resistant Sub Stations for AX, IE, TD-H, TC-M Systems

- INSTRUCTIONS -

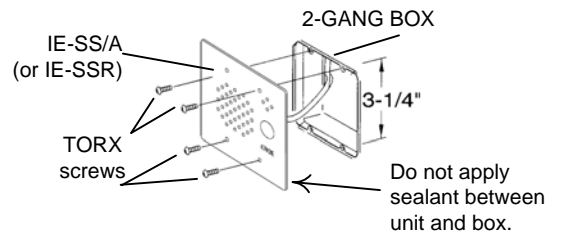
The IE-SS/A and IE-SSR are vandal proof and weather resistant sub stations designed for use with the systems listed above. They're constructed with 12 gauge stainless steel, and the IE-SSR features a red mushroom call button. The units either flush mount into a 2-gang box, or surface mount with the SBX-2G. Each unit includes tamper proof screws and a tool for installation.

INSTALLATION:

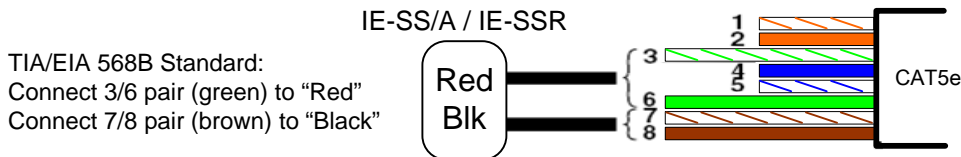
1. For flush mounting, install sub station in standard 2-gang electrical box with min. 2-1/2" depth.
2. For surface mounting, install sub station in the SBX-2G surface mount enclosure.
3. **IMPORTANT!** These units are designed for use in normal weather conditions, and to allow drainage and evaporation of moisture that naturally gets into the unit. **Do not apply caulking or silicone sealant around the unit when installing, and do not use weather stripping around the perimeter of the box when mounting.** If sealing the unit is required, the bottom must remain unsealed. Sealing the unit will prevent or inhibit moisture from dissipating from inside the unit, which may cause corrosion or deterioration to the internal components over time.



MOUNTING:

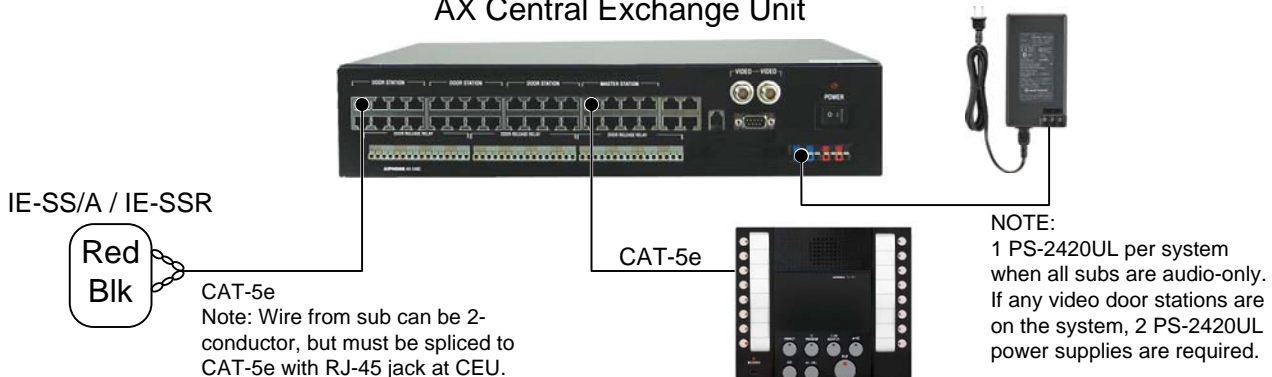


WIRING DIAGRAM (AX Series):



Use your preferred method for splicing cables to interface a standard 2-conductor cable run from the door station to the CAT-5 cable and RJ45 jack, required for connection to the CEU.

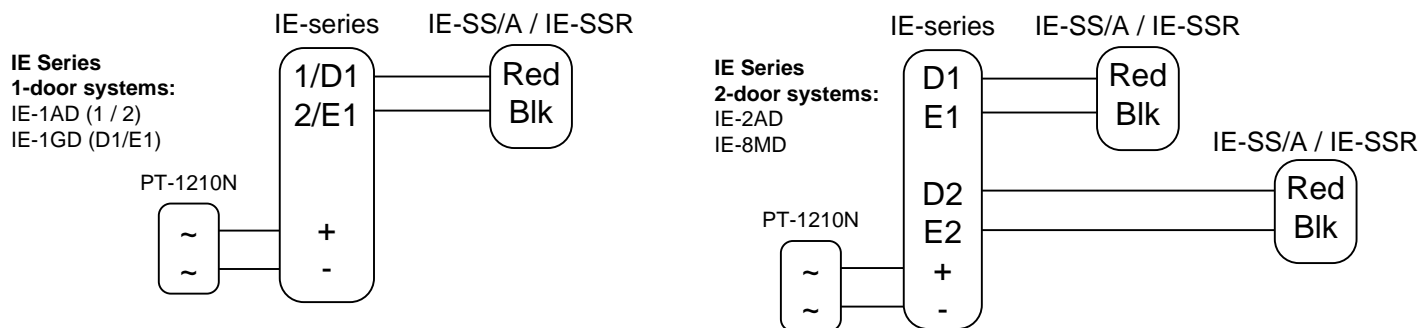
AX Central Exchange Unit



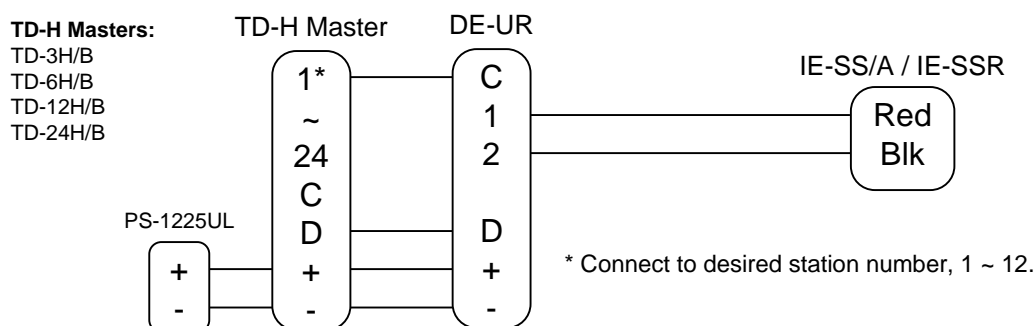
NOTE:

For complete AX system information, please refer to the installation manual provided on the CD packaged with the CEU, or access from our web site at www.aiphone.com.

WIRING DIAGRAM (IE Series):



WIRING DIAGRAM (TD-H Series):



NOTES:

1. The TD-1H/B does not have a "D" terminal for use with a door station.
2. Max. two door stations can be used on the TD-H/B system, each requiring a DE-UR. Set A-B switch on each one to differentiate intermittent tremolo tone when doors call in.
2. Refer to the standard TD-H/B instructions for complete installation and wiring information.

SPECIFICATIONS:

Power Source:	Supplied by master station
Speaker:	Baffle protected, Water proof and puncture resistant, 2.4 oz. magnet
Microphone:	Baffle protected
Call Button:	SPST call button. Call tone is activated at master when call button is pressed IE-SS/A: Limited stop button. IE-SSR: Limited stop, red mushroom button
Communication:	Hands free at sub. Master uses handset.
Faceplate:	12 gauge stainless steel
Mounting:	Flush mount into a 2-gang box. Surface mount into SBX-2G, sold separately. Tamper proof screws included (6x32 for use with flush gang box) with T-10 TORX bit. Use hardware included with SBX-2G when installing sub into that unit.
Terminations:	Color-coded prewired pigtails
Operating Temperature:	Flush Switch rating: 14°F to 158°F; Mushroom Switch rating: -22°F to 185°F Speaker rating: -67°F to 187°F
Wiring:	2 conductors. Use Aiphone #822202
Wiring Distance:	See system that unit is being used with for distance specifications
Dimensions (H x W x D):	IE-SS/A / IE-SSR alone: 4-11/16" x 4-11/16" x 2" With SBX-2G: 4-3/4" x 4-7/8" x 3-5/8" (Top) 2-3/8" (Bottom)