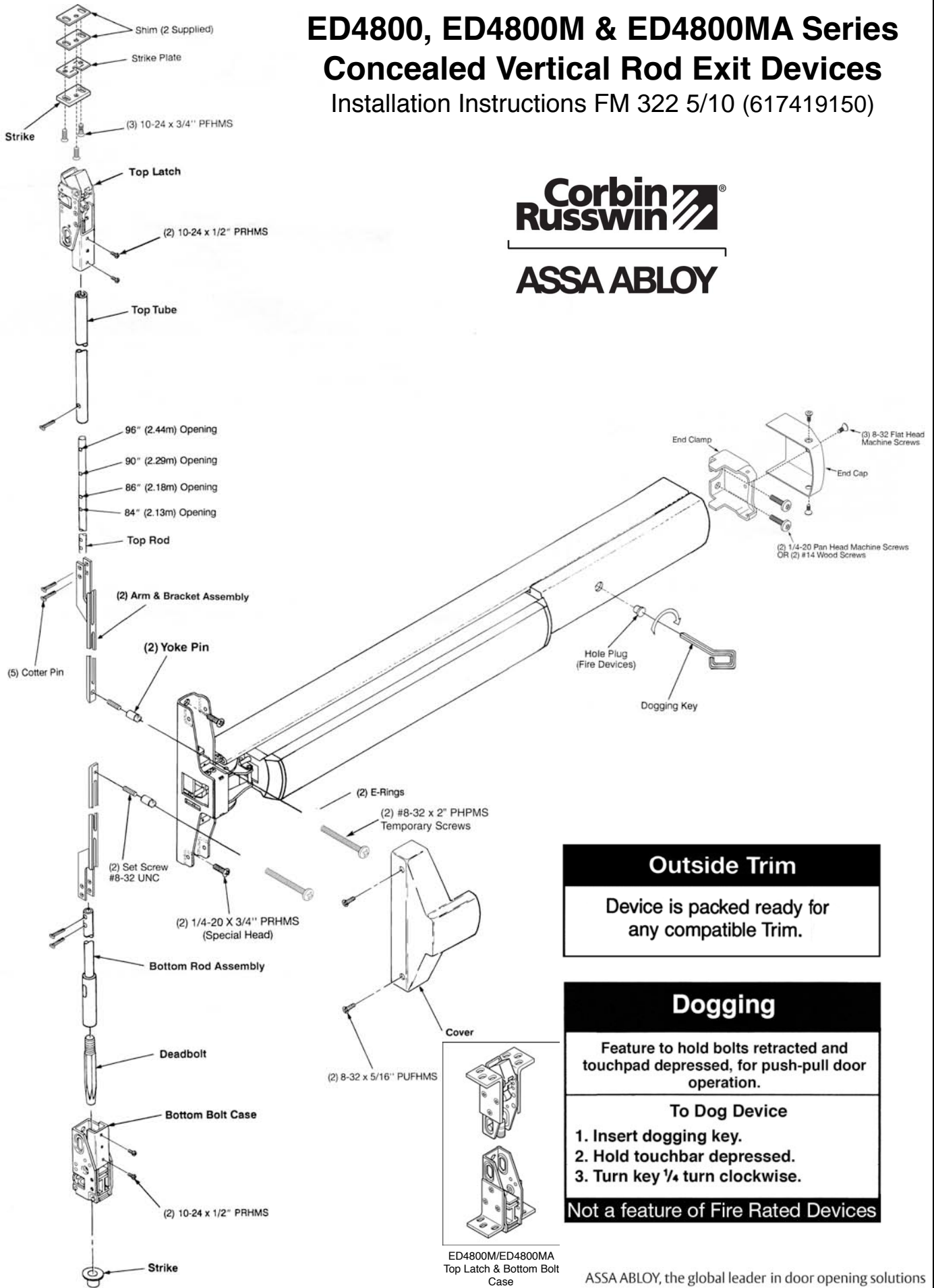


ED4800, ED4800M & ED4800MA Series Concealed Vertical Rod Exit Devices

Installation Instructions FM 322 5/10 (617419150)



Outside Trim

Device is packed ready for any compatible Trim.

Dogging

Feature to hold bolts retracted and touchpad depressed, for push-pull door operation.

To Dog Device

1. Insert dogging key.
2. Hold touchbar depressed.
3. Turn key 1/4 turn clockwise.

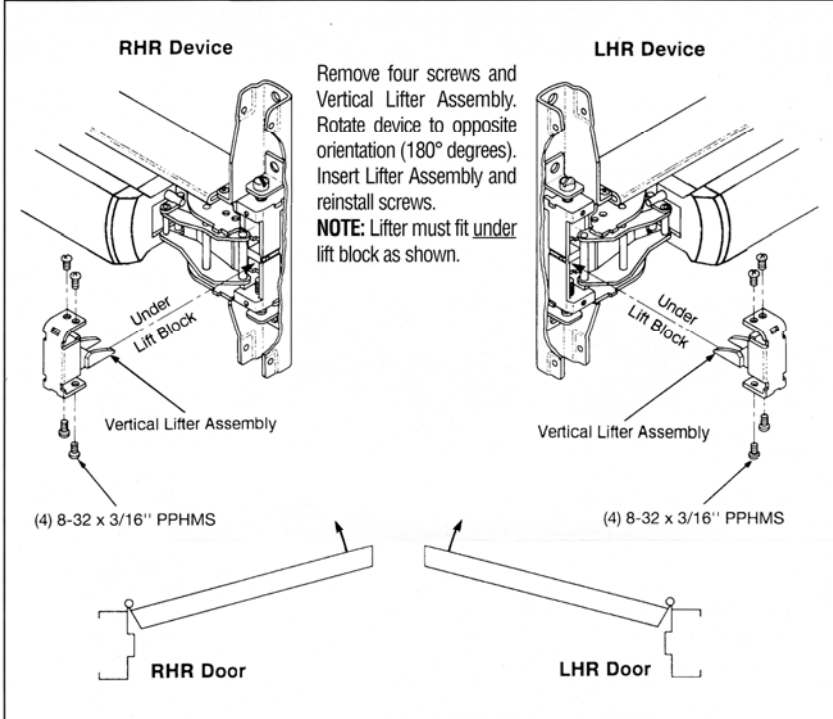
Not a feature of Fire Rated Devices

ED4800M/ED4800MA
Top Latch & Bottom Bolt
Case

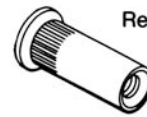
ASSA ABLOY, the global leader in door opening solutions

General Information

To Change Hands



1/4-20 Sex Nut Option



Recommended for unreinforced metal doors.

Device	Quantity	Size
All (No Trim)	4	1/4-20
All (With Trim)	2	

Rod Extension Options ED4800 only



2" (51mm)
6" (152mm)
12" (305mm)
(Specify Device Finish)

Shim Kit Option

ED4800 - 697F358
ED4200M & ED4200MA - 697F338

Kit consists of (2) latch Head Shims (Device Cover seats on shim) and (2) End Cap Shims (End Cap seats on shim). Each shim is 1/8" (3.2mm) thick more than two shim thicknesses 1/4" (6.4mm), require longer device mounting screws (not included).

Maintenance

1. Periodically remove covers and coat mechanisms with a silicone base lubricant. This is particularly required in corrosive environments for proper product function.
2. Check mounting fasteners periodically. Retighten if found loose. Apply screw locking compound (available at automotive part stores) or change part fasteners if screws continue back up.
3. Periodic checks and adjustments of strike are required to compensate for changes in the opening (e.g.; door sagging, etc....).

Check Before Starting

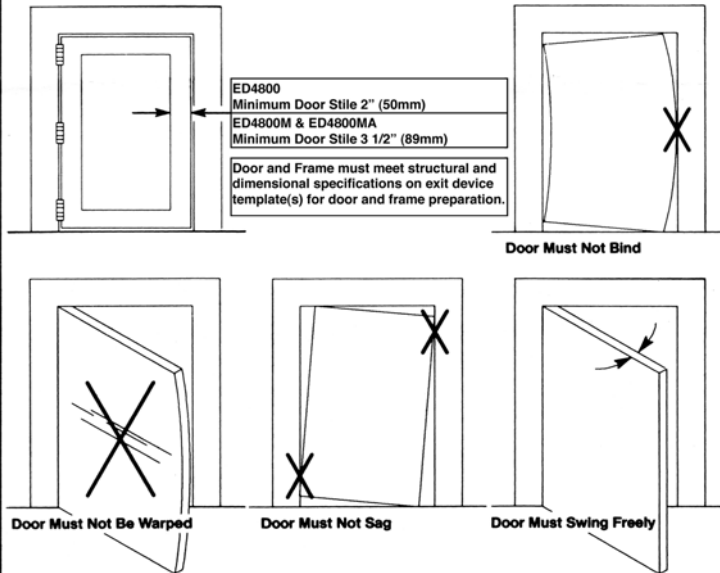
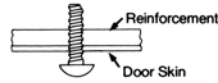
Unreinforced Doors or Frames

Doors and Frames with walls having a structural thickness (metal skin plus reinforcement) to engage less than (3) full screw threads, are considered unreinforced.

Unreinforced Doors: Use SNB (sex nuts and bolts).

Unreinforced Frames: Use Blind Rivet Nuts.

Recommended fasteners for unreinforced openings are not necessarily supplied by Corbin Russwin.



1. Mark Door

Locate and Mark Horizontal and Vertical Reference Centerlines as shown.

LHR door shown, preparation is typical for both door hands.

ED4800 SERIES $\frac{1-1/8}{(29)}$

ED4800M & MA SERIES $\frac{2-1/16}{(52)}$

VERTICAL REFERENCE

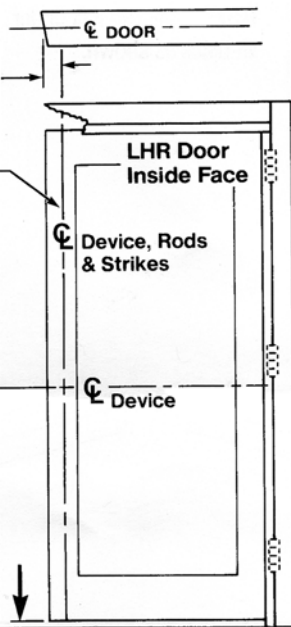
Caution: If device is mounted higher or lower than shown, rod length must change. Lengthen or cut top and bottom rods as shown on Step 4.

HORIZONTAL REFERENCE

$\frac{39-15/16}{(1014)}$

FINISHED FLOOR

DOOR

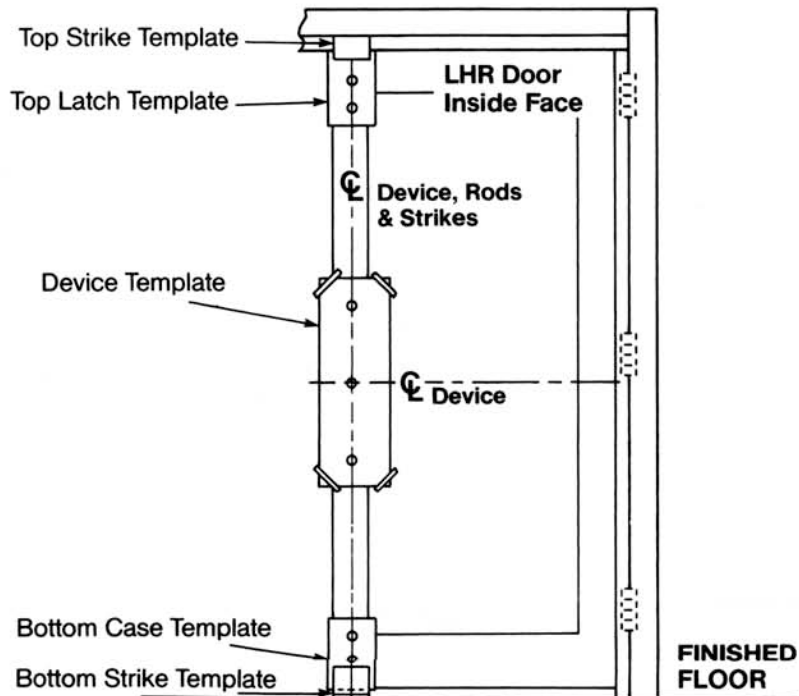


NOTE: Bottom Bolt will retract to 1/8 (3) above Floor Strike. Floor covering in the door path must be laid accordingly.

Measure Gap
Write Dimension Here: ___

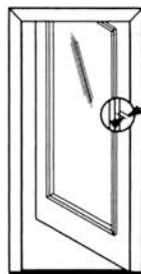
Single Door or Pair without Mullion

2. Prepare Door, Frame & Sill



- A. Locate "Device Template" aligning VERTICAL and HORIZONTAL DEVICE CENTERLINES on door and template. Tape template to door face.
- B. Locate "Top Latch," "Top Strike," "Bottom Case," and "Bottom Strike" templates, aligned on centerline of Device, Rods and Strikes on door. Tape templates in place.
- C. Locate and tape Trim Template to door (See instructions packed with Trim).
- D. Spot and prepare holes:
 - Device:** Each (2) $\frac{1}{4}$ -20 Machine Screws (metal reinforced door), or (2) $\frac{3}{8}$ Dia. Sex Nuts & Bolts
 - Bolt Cases:** Each (2) $\frac{7}{32}$ Dia. Holes (Door Inside Face Only)
 - Top Strike:** (2) 10-24 Machine Screws,
NOTE: Third Screw MUST ONLY be used to lock Strike in final position (Step 8).
 - Bottom Strike:** $\frac{5}{8}$ dia. x $\frac{3}{4}$ deep hole.

3. Clear Raised Door Molding



Device must seat flush on door surface, or on shims that keep it parallel to door face

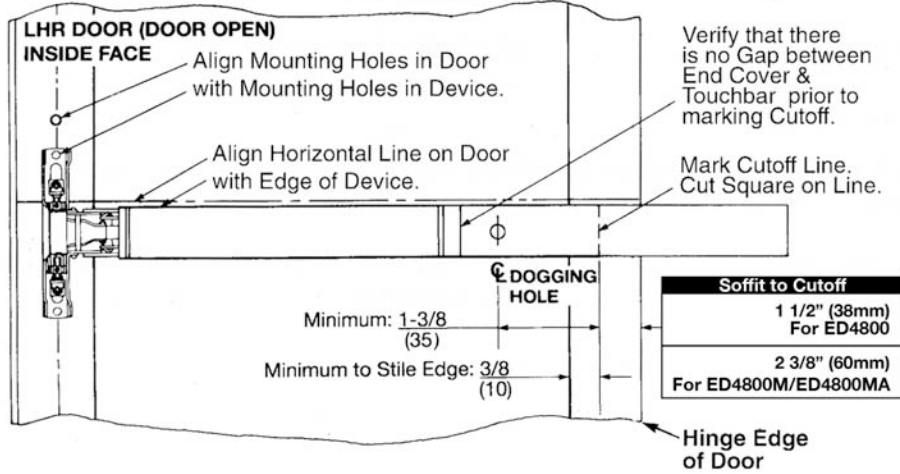
(1) Shim Kit needed to clear each $\frac{1}{8}$ of raised molding.

Longer mounting screws needed when more than (2) shim kits are used.

See Shim Kit Option on page 2.

4. Size Device

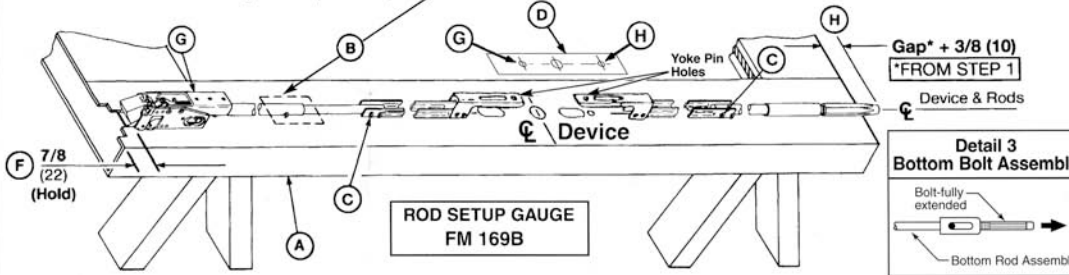
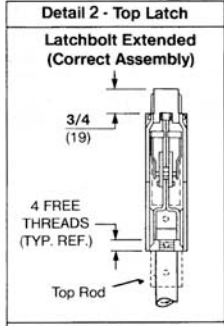
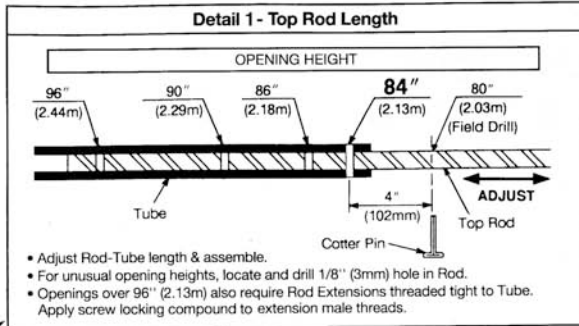
Device must be field cut to size, unless standard opening and device are 36" (0.91m), or 48" (1.22m).



5. Rod Assembly & Preliminary Adjustment

ED4800

- Remove door from opening. Set flat, Device side up. (Do not hang door until Step 8 of Device installation sheet).
 - Set length of Top Rod Assembly (See Detail 1).
 - Connect Top and Bottom Rods to Arm and Bracket Assemblies. (2 Cotter Pins each).
 - Align Rod Setup Gauge over Device cutouts and centerlines. Tape Gauge to Door Face.
 - Connect Top Latch to Rod Assembly. Latchbolt must be fully extended. (See Detail 2).
 - Set Top Latch Assembly in place on door. Maintain 7/8 (22) location from top of door as shown.
 - Align Yoke Pin hole in Top Arm and Bracket Assembly with Alignment Hole in Rod Setup Gauge. Adjust Top Latch and Rod as needed for proper alignment.
 - Thread Deadbolt into Bottom Rod Assembly. Set Bottom Rod Assembly in place on door. Align Yoke Pin hole in Bottom Arm and Bracket Assembly with Alignment Hole in Rod Setup Gauge. Adjust Bottom Bolt for proper length.
- NOTE:** Be certain Bottom Bolt is fully extended. (See Detail 3).

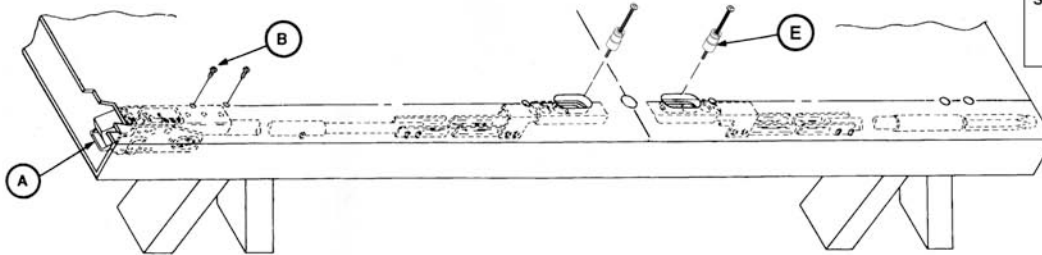


6. Install Rods

ED4800

- Slide Rod Assemblies into door.
- Attach Top Latch with (2) 10-24 x 1/2" PRHMS.
- Install Bottom Bolt Case with (2) 10-24 x 1/2" PRHMS.
- Thread Set Screws into Yoke Pins by inserting hex socket end inside Pin.

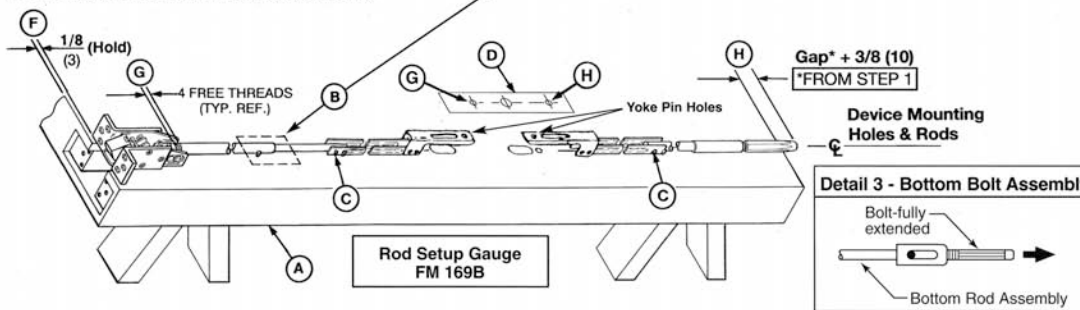
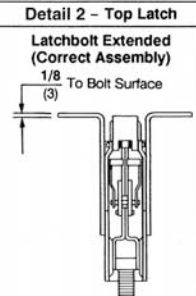
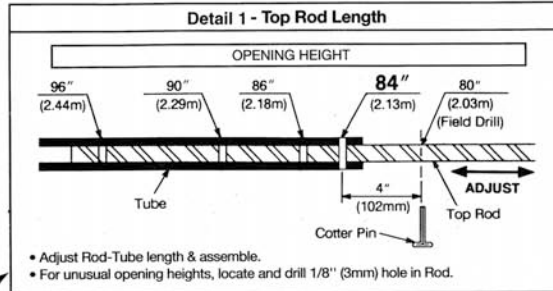
- Thread 8-32 x 2" PHPMS Temporary Screws into slotted end of Yoke Pins, until seated to hex head Set Screws (See Detail 1).
- Install (2) Yoke Pin Assemblies into Arm & Bracket Assemblies.



5. Rod Assembly & Preliminary Adjustment

ED4800M & ED4800MA

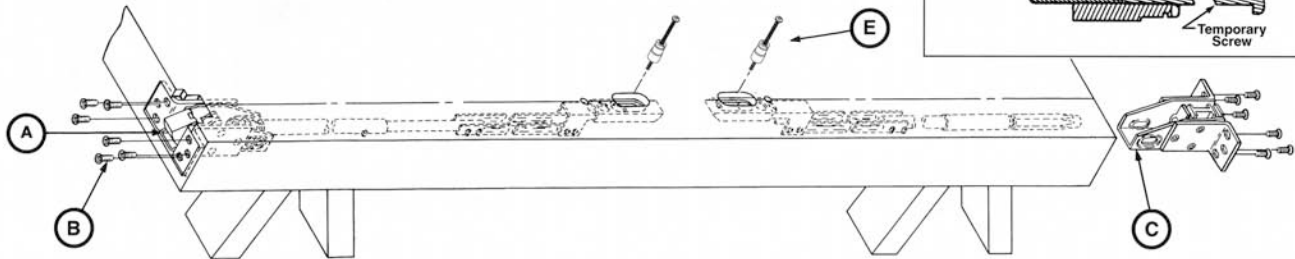
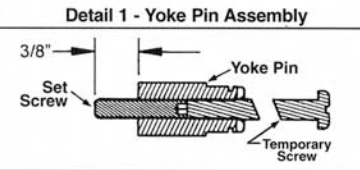
- Remove door from opening. Set flat, Device side up. (Do not hang door until Step 8 of Device installation sheet).
 - Set length of Top Rod Assembly (See Detail 1).
 - Connect Top and Bottom Rods to Arm and Bracket Assemblies. (2 Cotter Pins each).
 - Align Rod Setup Gauge over Device cutouts and centerlines. Tape Gauge to Door Face.
 - Connect Top Latch to Rod Assembly. Latchbolt must be fully extended. (See Detail 2).
 - Set Top Latch Assembly in place on door. Maintain $\frac{1}{8}$ " location from top of door as shown.
 - Align Yoke Pin hole in Top Arm and Bracket Assembly with Alignment Hole in Rod Setup Gauge. Adjust Top Latch and Rod as needed for proper alignment.
 - Thread Deadbolt into Bottom Rod Assembly. Set Bottom Rod Assembly in place on door. Align Yoke Pin hole in Bottom Arm and Bracket Assembly with Alignment Hole in Rod Setup Gauge. Adjust Bottom Bolt for proper length.
- NOTE:** Be certain Bottom Bolt is fully extended. (See Detail 3).



6. Install Rods

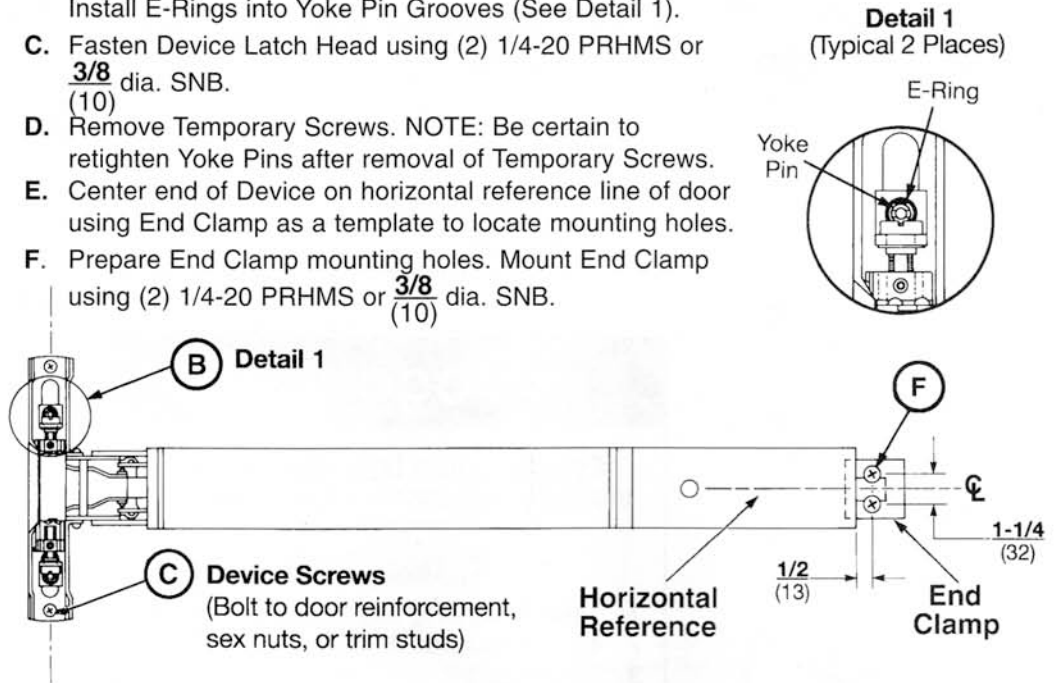
ED4800M & ED4800MA

- Slide Rod Assemblies into door.
 - Attach Top Latch with (6) 10-24 x $\frac{1}{2}$ " PFHMS.
 - Install Bottom Bolt Case with (6) 10-24 x $\frac{1}{2}$ " PFHMS.
 - Thread Set Screw into Yoke Pins by inserting hex socket end inside Pin.
 - Install (2) Yoke Pin Assemblies into Arm & Bracket Assemblies.
- Thread 8-32 x 2" PHMS Temporary Screws into slotted end of Yoke Pins, until seated to hex head Set Screws (See Detail 1).

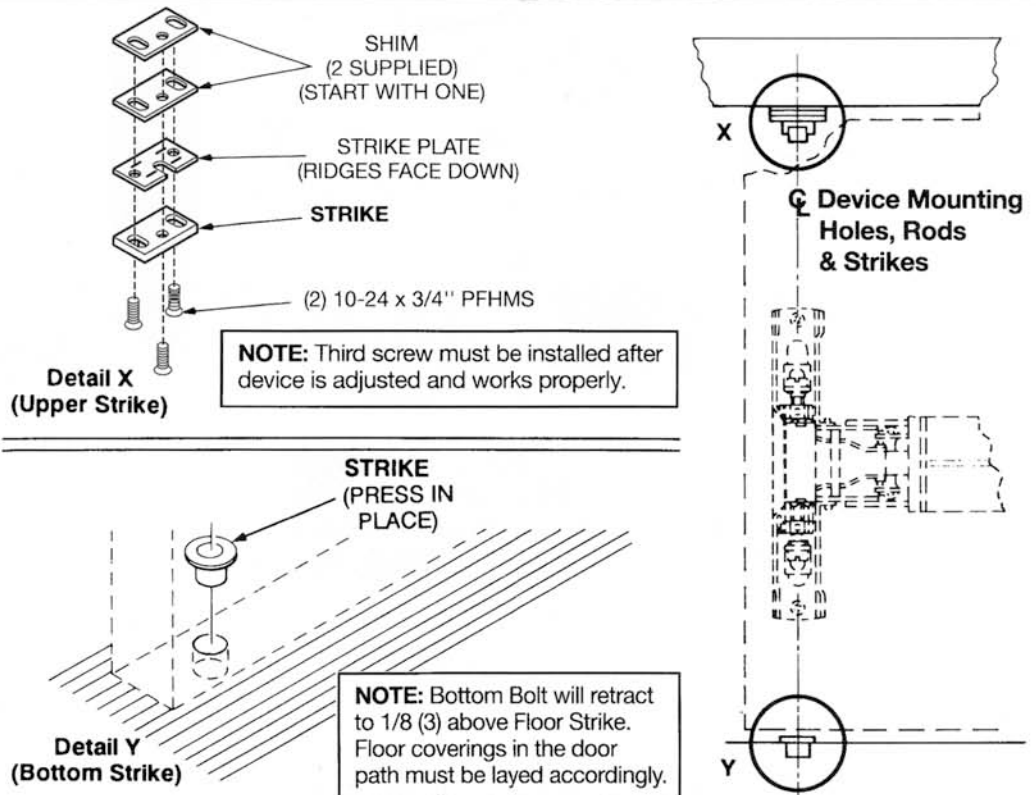


7. Install Device

- A. Mount Trim when required (Follow Instructions Packed with Trim).
- B. Seat Device in place, Connect Device to Arm and Bracket Assemblies using the Temporary Screws to position Yoke Pins in Latch Head. Install E-Rings into Yoke Pin Grooves (See Detail 1).
- C. Fasten Device Latch Head using (2) 1/4-20 PRHMS or $\frac{3}{8}$ dia. SNB. (10)
- D. Remove Temporary Screws. NOTE: Be certain to retighten Yoke Pins after removal of Temporary Screws.
- E. Center end of Device on horizontal reference line of door using End Clamp as a template to locate mounting holes.
- F. Prepare End Clamp mounting holes. Mount End Clamp using (2) 1/4-20 PRHMS or $\frac{3}{8}$ dia. SNB. (10)

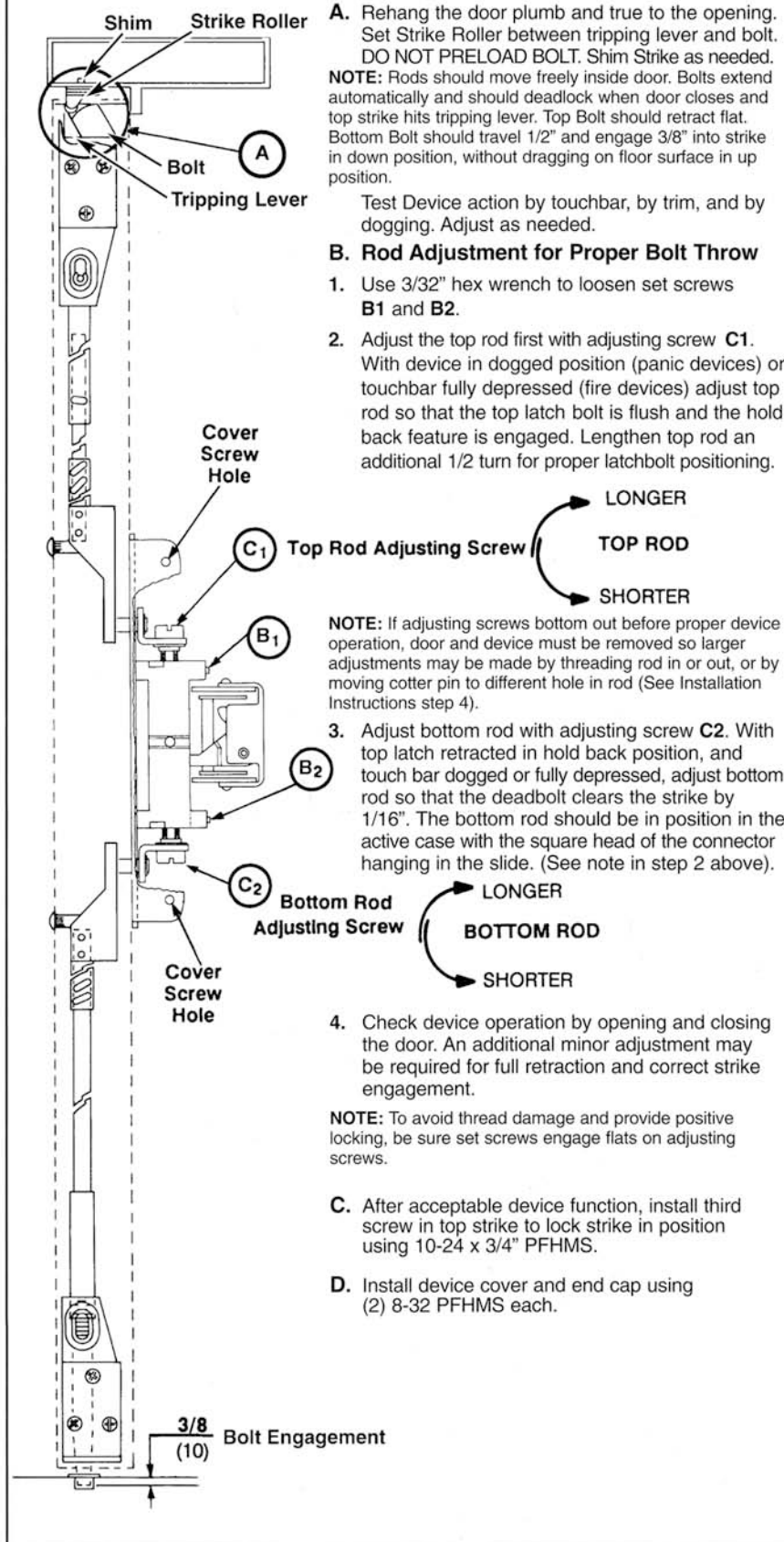


8. Install Strikes



9. Complete Installation

ED4800M &
ED4800MA
SHOWN



Page left intentionally blank



ASSA ABLOY

In U.S.: Corbin Russwin, Inc.
225 Episcopal Road
Berlin, CT 06037-4004
www.corbinrusswin.com

In Canada: ASSA ABLOY
Door Security Solutions Canada
160 Four Valley Drive
Vaughan, ON, L4K 4T9
www.assaabloy.ca

Technical Product Support:
Telephone: 888-607-5703
Fax: 860-828-7277

Copyright © 2008-2009 Corbin Russwin, Inc., an ASSA ABLOY Group company. All rights reserved. Reproduction in whole or in part without the expressed written permission of Corbin Russwin, Inc. is prohibited.

ASSA ABLOY is the global leader in door opening solutions, dedicated to satisfying end-user needs for security, safety and convenience.