



ED4200, ED4200M, ED4200MA ED4200S, ED4200SM, ED4200SMA Series Rim & SecureBolt® Exit Devices

Installation Instructions FM 316 6/09 (617419090)
(Single Doors or Pairs with Mullion)

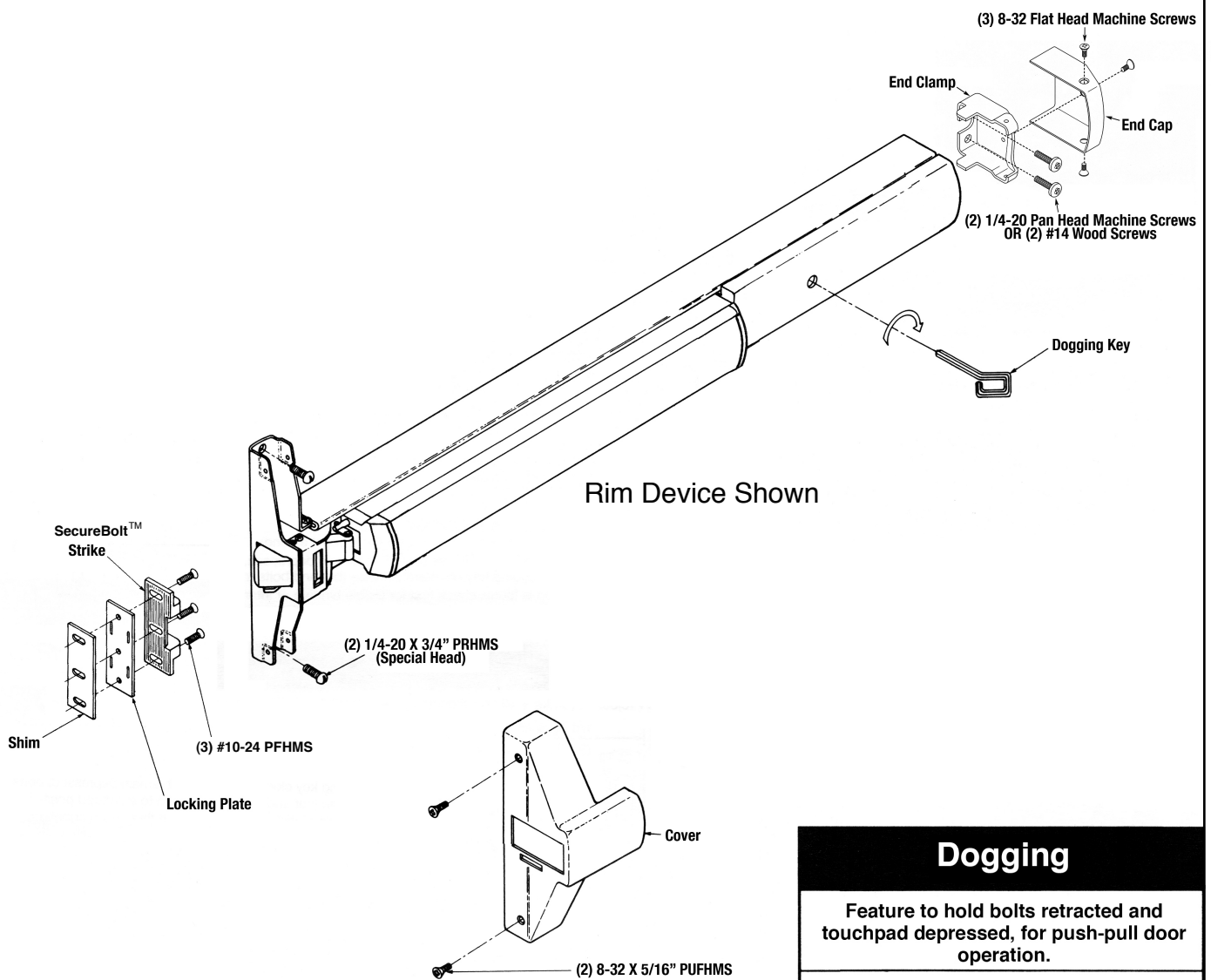
ASSA ABLOY

Note: These installation instructions cover standard product only. To install options, such as shim kits or interlock brackets, refer to the instructions packed with the optional component.

Packed for reinforced metal doors.

Optional sex nuts required for unreinforced metal and composite wood doors and are furnished standard with all fire-rated (A) devices.

Outside Trim: Device is packed ready for any applicable Corbin Russwin Trim.



Rim Device Shown

Dogging

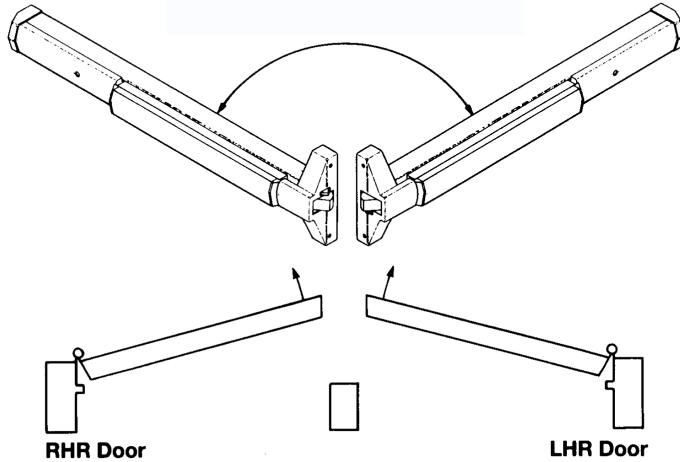
Feature to hold bolts retracted and touchpad depressed, for push-pull door operation.

To Dog Device

1. Insert dogging key.
2. Hold touchbar depressed.
3. Turn key 1/4 turn clockwise.

Not a feature of Fire Rated Devices

General Information



ED 4200, ED4200S

For Narrow Stile Metal Doors of Either Hand

ED 4200M, ED4200MA, ED4200S, ED 4200SMA

For Metal, Composite and Wood Doors of Either Hand

Outside Trim

Device is packed ready for any compatible Trim.

Shim Kit Option

697F35-8, Black Finish

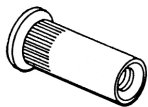
Kit consists of (2) Latch Head Shims (Device Cover seats on shim) and (2) End Cap Shims (End Cap seats on shim).

Each shim is 1/8" (3.2mm) thick.

More than two shim thicknesses 1/4" (6.4mm), require longer device mounting screws (not included).

Maintenance

1. Periodically remove covers and coat mechanisms with a silicone base lubricant. This is particularly required in corrosive environments for proper product function.
2. Check mounting fasteners periodically. Retighten if found loose. Apply screw locking compound (available at automotive part stores) or change part fasteners if screws continue back up.
3. Periodic checks and adjustments of strike are required to compensate for changes in the opening (e.g.; door sagging, etc....).

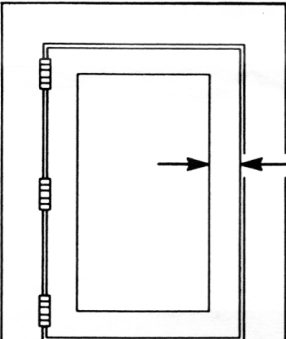
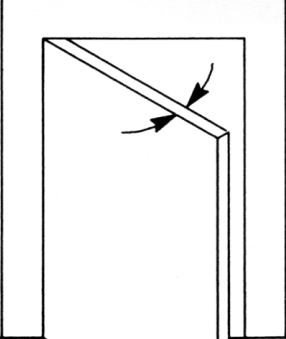
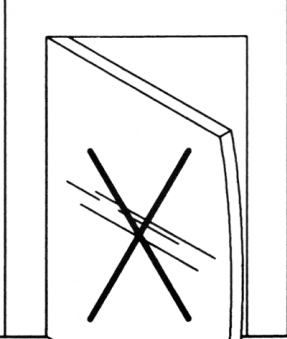
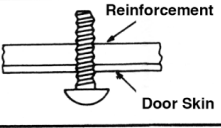
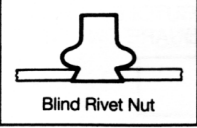
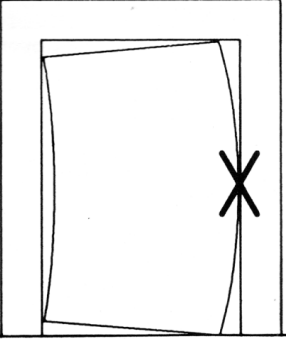
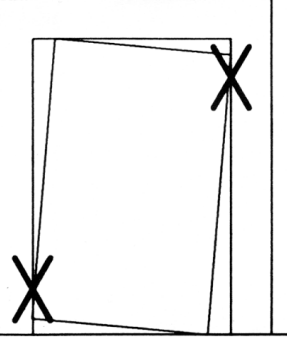


Specify Finish

Recommended for un-reinforced metal doors.
Standard for Fire Rated Doors.

Device	Rim Qty	SecureBolt™ Qty	Size
(No Trim)	4	6	1/4 - 20
(With Trim)	2	2	1/4 - 20
Fire Mullion (Add)	4	4	10 - 24

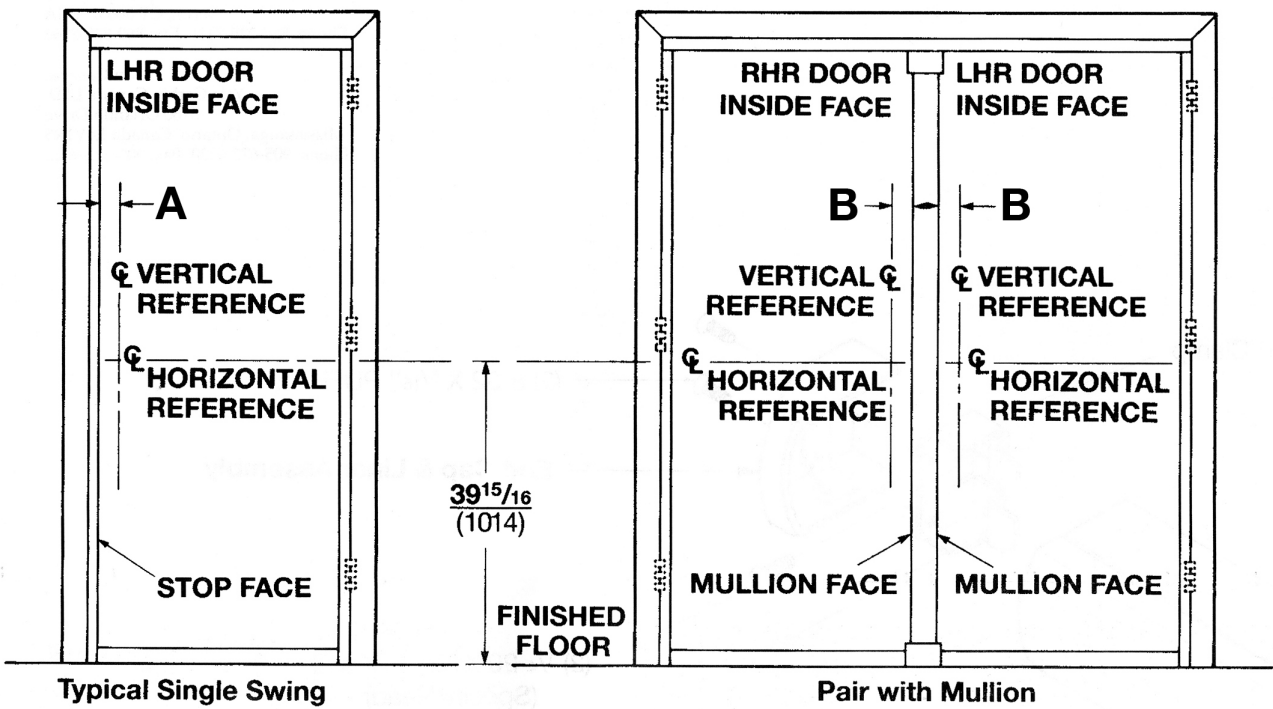
Check Before Starting

	<p>ED4200 & ED4200S Minimum Door Stile 2" (50mm)</p> <p>ED4200M, ED4200MA, ED4200SM & ED4200SMA Minimum Door Stile 3 1/2" (89mm)</p> <p>Door and Frame must meet structural and dimensional specifications on exit device template(s) for door and frame preparation.</p>
 <p>Door Must Swing Freely</p>	 <p>Door Must Not Be Warped</p>
<p>Reinforced Door or Frame engages at least (3) screw threads.</p>  <p style="font-size: small;">Reinforcement Door Skin</p>	 <p style="font-size: small;">Blind Rivet Nut</p>
 <p>Door Must Not Bind</p>	 <p>Door Must Not Sag</p>

1. Mark Door

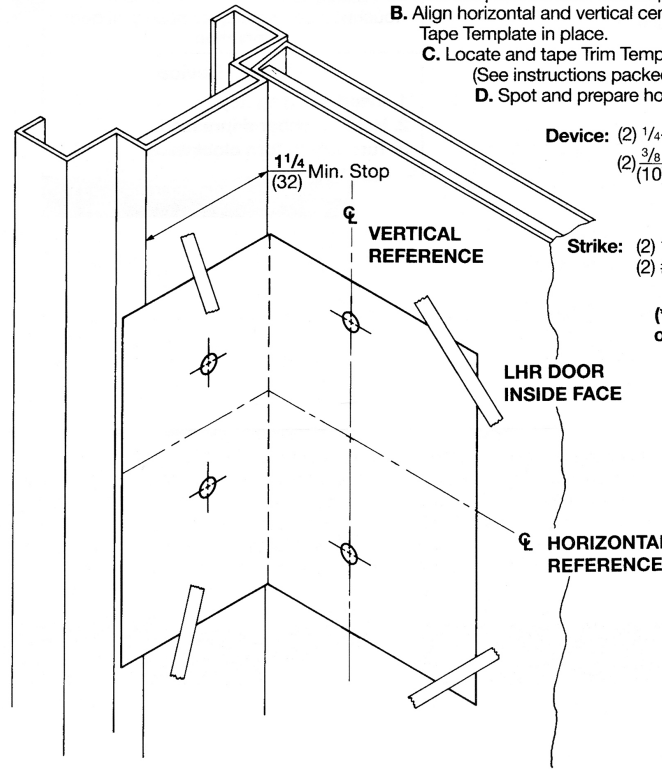
Locate and Mark Horizontal and Vertical Reference Centerlines, as shown.

ED4200, ED4200S with 808 Mullions	A = 1 1/4" (32mm) B = 3/4" (29mm)
ED4200M, ED4200MA, ED4200SM, ED4200SMA with 700 & 900 Mullions with 650F308 strikes	A = 1 5/8" (41mm) B = 1 5/8" (41mm)



2. Prepare Door & Frame

ED4200M, ED4200MA
ED4200SM, ED4200SMA



- A. Seat template on door and stop faces.
- B. Align horizontal and vertical centerlines.
Tape Template in place.
- C. Locate and tape Trim Template to door.
(See instructions packed with Trim)
- D. Spot and prepare holes.

Device: (2) 1/4-20 Machine Screws (*), or
(2) 3/8 Dia. Sex Nuts & Bolts

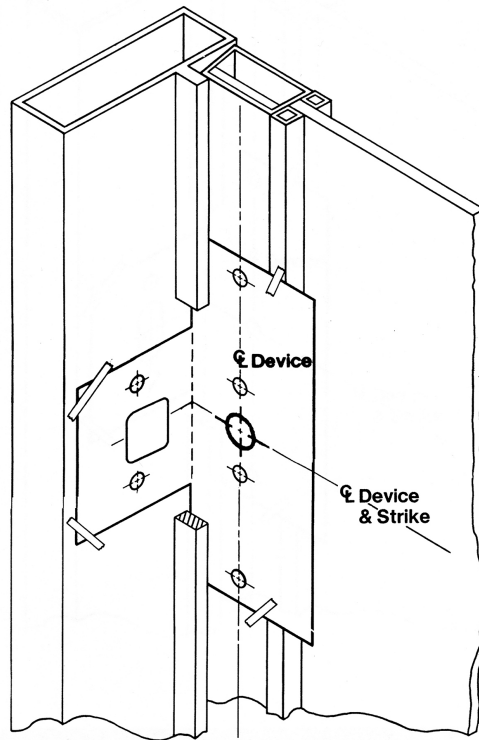
Strike: (2) 10-24 Machine Screws, or
(2) #10 Wood Screws

(* Metal reinforced doors only.)

Caution:
The Use of Shims
(i.e. Raised Glass)
requires shifting
location of strike
away from the
door. (See Door
Marker Template
for details).

2. Prepare Door & Frame

ED4200, ED4200S



- A. Determine opening requirements.
 1. Aluminum Single Openings:
Stop must be notched to clear strike.

Cutout is $\frac{3-1/8}{(79)}$ long, center on
Device ⊥ .

2. Pairs with Mullions *** :
Cut off and discard strike portion
of installation Template.

3. Other openings:
Door stile should exceed $\frac{2}{(51)}$ by
height of frame stop or $\frac{1}{2}$ the
width of the mullion.

- B. Seat template on door and jamb face
(if pertinent).
- C. Align template with horizontal and
vertical Device ⊥ on door.
Tape template in place.
- D. Locate and tape Trim Template on door.
(See instructions packed with trim).
- E. Spot and prepare holes.

Device: (4) 1/4-20 Machine Screws*, or
(4) 3/8 Dia. Sex Nuts and Bolts.

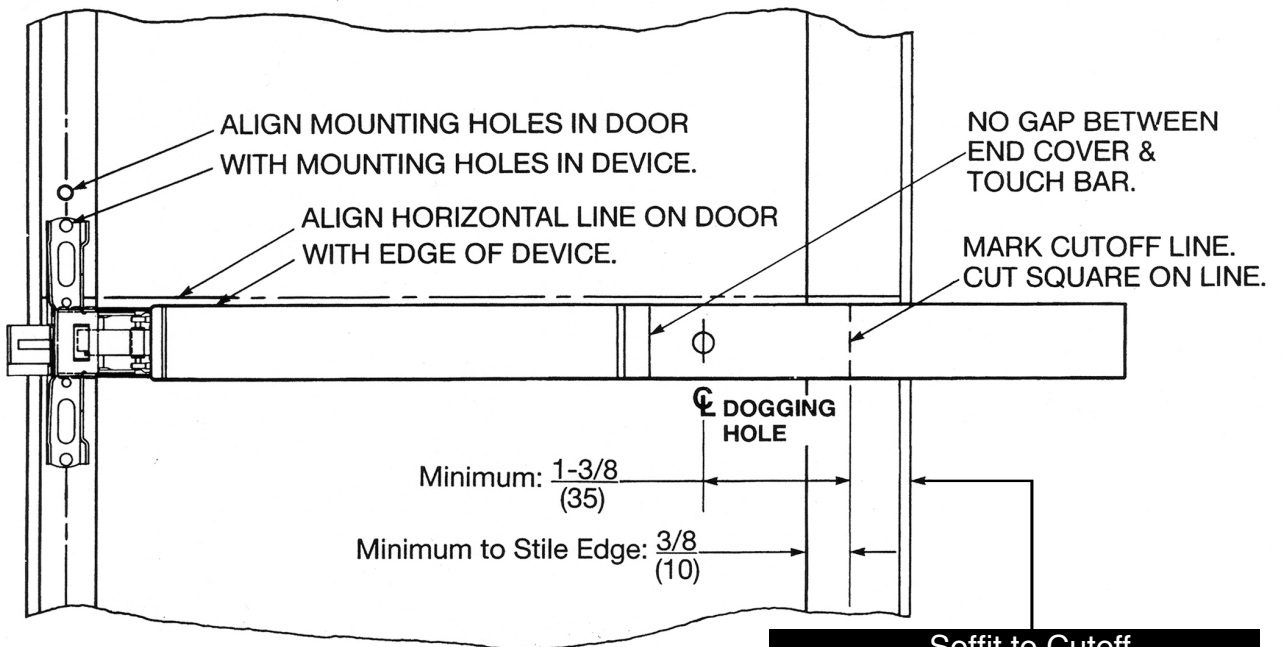
Strike:** (2) 10-24 Machine Screws.

Notes: (*) Reinforced doors only.
(**) Plus template cutouts, if
not factory prepared.
(***) Strike machined into the
mullion. Position device carefully.

3. Size Device

Device must be field cut to size, unless standard opening and device are 36" (0.91m), or 48" (1.22m).

**LHR DOOR
(Door Open)
INSIDE FACE**



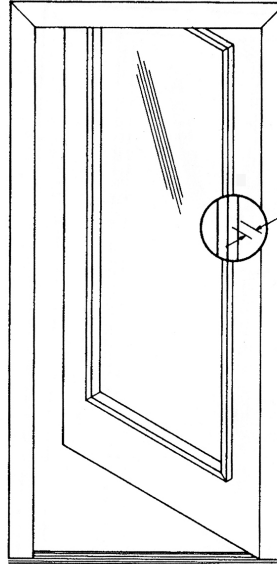
Soffit to Cutoff

**1 1/2" (38mm)
For ED4200 & ED4200S**

**2 3/8" (60mm)
For ED4200M, ED4200MA
ED4200SM & ED4200SMA**

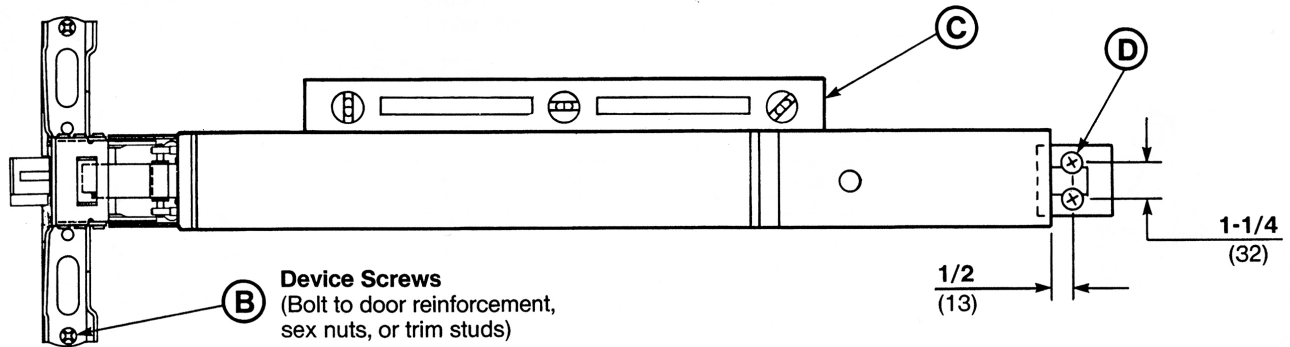
4. Clear Raised Door Molding

Device must seat flush on door surface, or on shims that keep it parallel to door face



One shim Kit 697F35-8 required for each 1/4" (6mm) of device lift needed. Each Shim kit includes 2 1/8" (3mm) thick shims. Longer device mounting screws needed when more than (2) shim kits are used. See Shim Kits Option on page 2.

5. Install Device



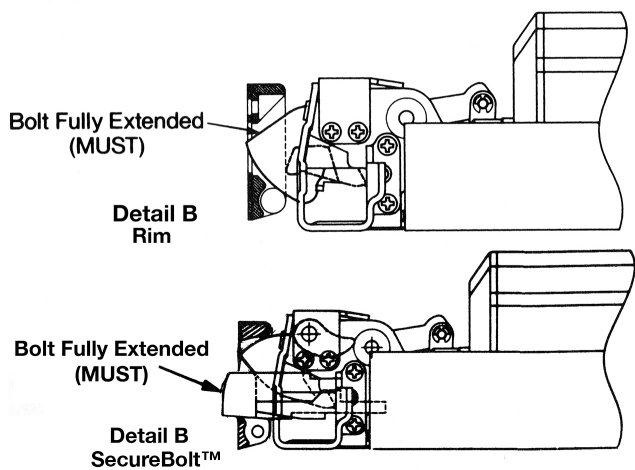
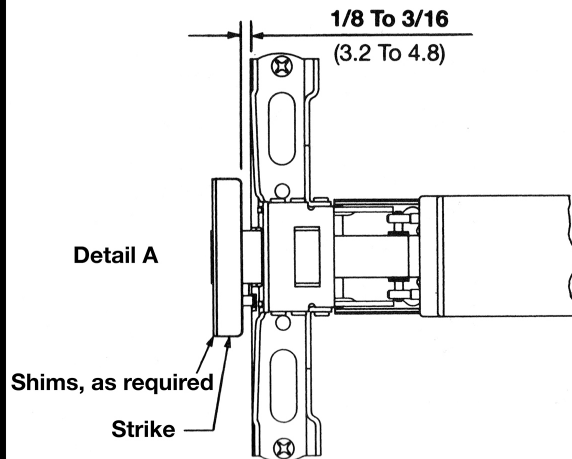
- A. Mount Trim (follow instructions packed with trim).
- B. Seat Bar in Place (Projecting C-Cam boss must penetrate into door hole). Fasten Device Head
- C. Set Bar Level. Locate End Clamp Holes.
- D. Prepare End Clamp Mounting Holes. Mount End Clamp. (2, #1/4-20 PRHMS or 3/8" (10mm) diameter SNB)
- E. Check Bolt Retraction.
 - a. Depress touchbar (bolts must retract). Release touchbar (bolts must extend).
 - b. Actuate trim (bolts must retract). Release trim actuator (bolts must extend).
 - c. NOT FOR FIRE RATED DEVICES - Depress touchbar, turn dogging key clockwise (bar must remain depressed, bolts must remain retracted). Turn dogging key counterclockwise (bar and bolts must return to extended position).

NOTE: When resulting operation is faulty, check first for visible binding or interference. If there is no apparent reason for the fault, remove item from the door and recheck its operation and door preparation before assuming it is defective.

- F. Tighten All Mounting Screws.

6. Install Strike ED4200, ED4200S

A. Position Strike Projection (Strike + Shims, if needed). See Detail A.



B. Position Strike Depth. See Detail B.

C. Fasten Strike Securely (2PFHMS)

D. Check Bolt Engagement.

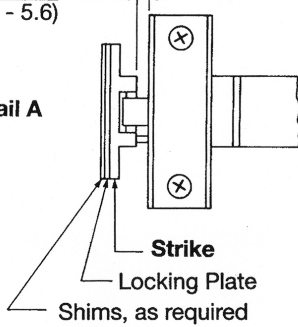
1. Bolt should retract to clear the strike, when actuated by bar, trim, or dogging action. Bolt should consistently reengage the strike, when actuators are released and the door shuts.
2. Door should remain latched and not rattle when pushed, pulled, or shaken in/out.

6. Install Strike ED4200M, ED4200MA, ED4200SM, ES4200SMA

A. Position Strike Projection (Strike + Locking Plate + Shims, if needed). See Detail A.

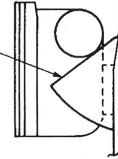
$$\frac{3/16 + 1/32}{(4.0 - 5.6)}$$

Detail A



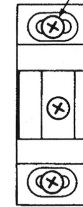
Bolt Fully Extended (MUST)

Detail B



(3) #10-24 PFHMS

Detail C



B. Position Strike Depth. See Detail B.

C. Fasten Strike Securely, as Shown on Detail C.

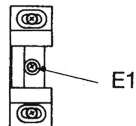
D. Check Bolt Engagement.

1. Bolt should retract to clear the strike, when actuated by bar, trim, or dogging action. Bolt should consistently reengage the strike, when actuators are released and the door shuts.
2. Door should remain latched and not rattle when pushed, pulled, or shaken in/out.

E. Stabilize Strike. See Detail C.

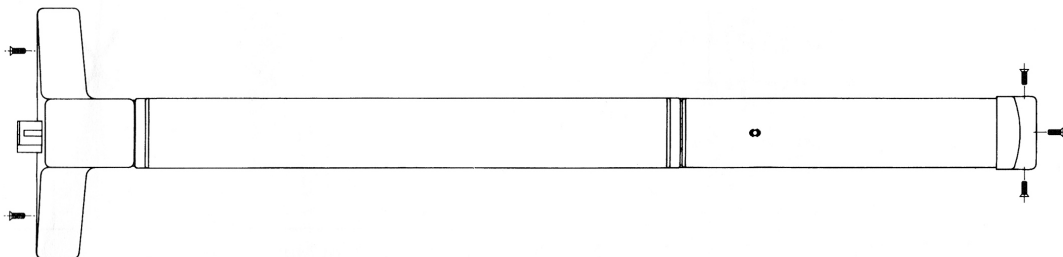
1. Prepare for and install strike center screw (1 # 10-24 PFHMS).

Detail E



7. Install Head Cover & End Cap

Use 8-32 PFHMS screws (2) for Cover and (3) for End Cap.





ASSA ABLOY

In U.S.: Corbin Russwin, Inc.
225 Episcopal Road
Berlin, CT 06037-4004
www.corbinrusswin.com

In Canada: ASSA ABLOY
Door Security Solutions Canada
160 Four Valley Drive
Vaughan, ON, L4K 4T9
www.assaabloy.ca

Technical Product Support:
Telephone: 888-607-5703
Fax: 800-659-7293

ASSA ABLOY is the global leader in door opening solutions, dedicated to satisfying end-user needs for security, safety and convenience.

Copyright © 2008-2009 Corbin Russwin, Inc., an ASSA ABLOY Group company.
All rights reserved. Reproduction in whole or in part without the expressed written permission of Corbin Russwin, Inc. is prohibited