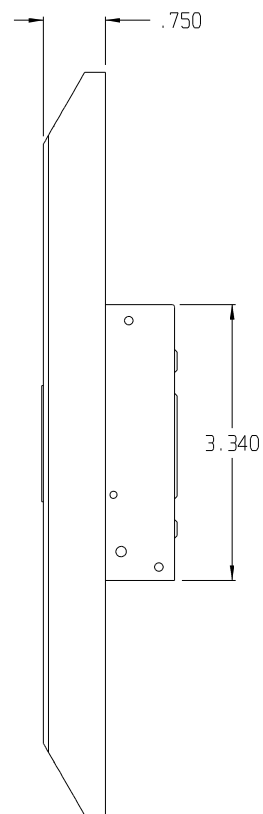
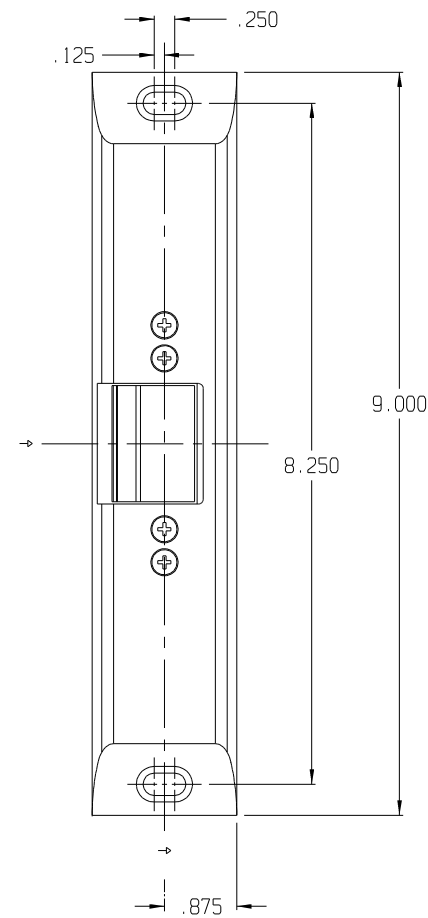
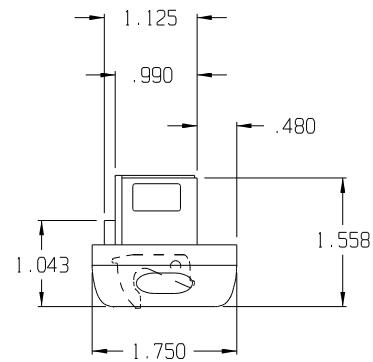
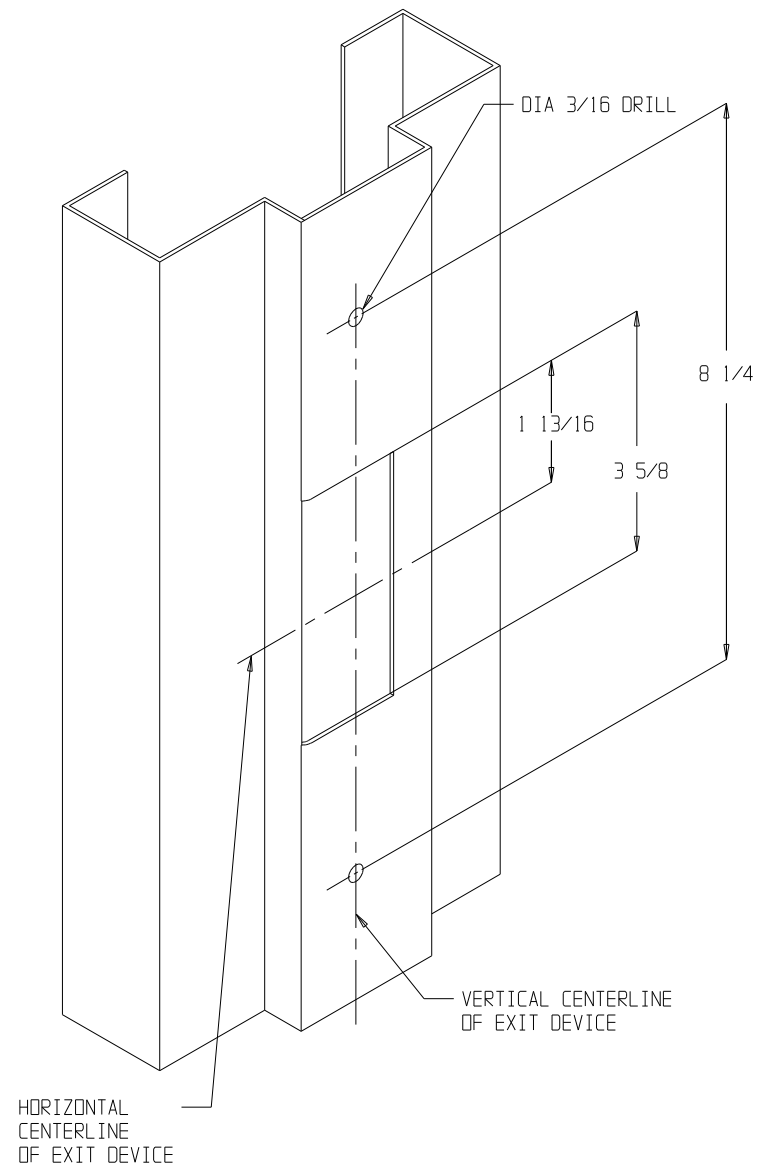


ELECTRIC STRIKE DIMENSIONS



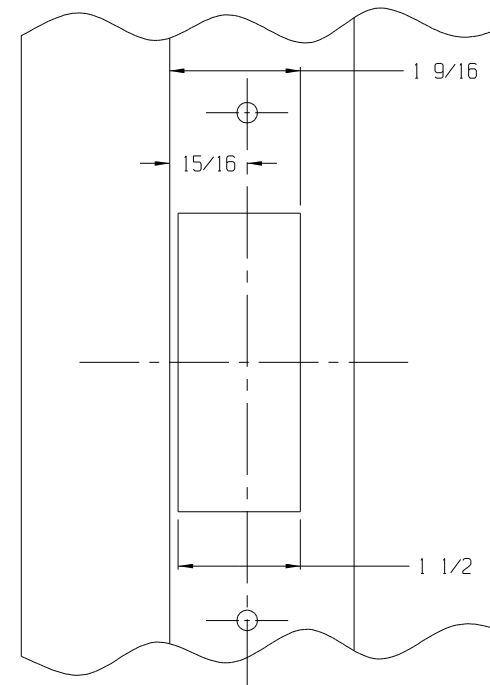
JAMB PREPARATION



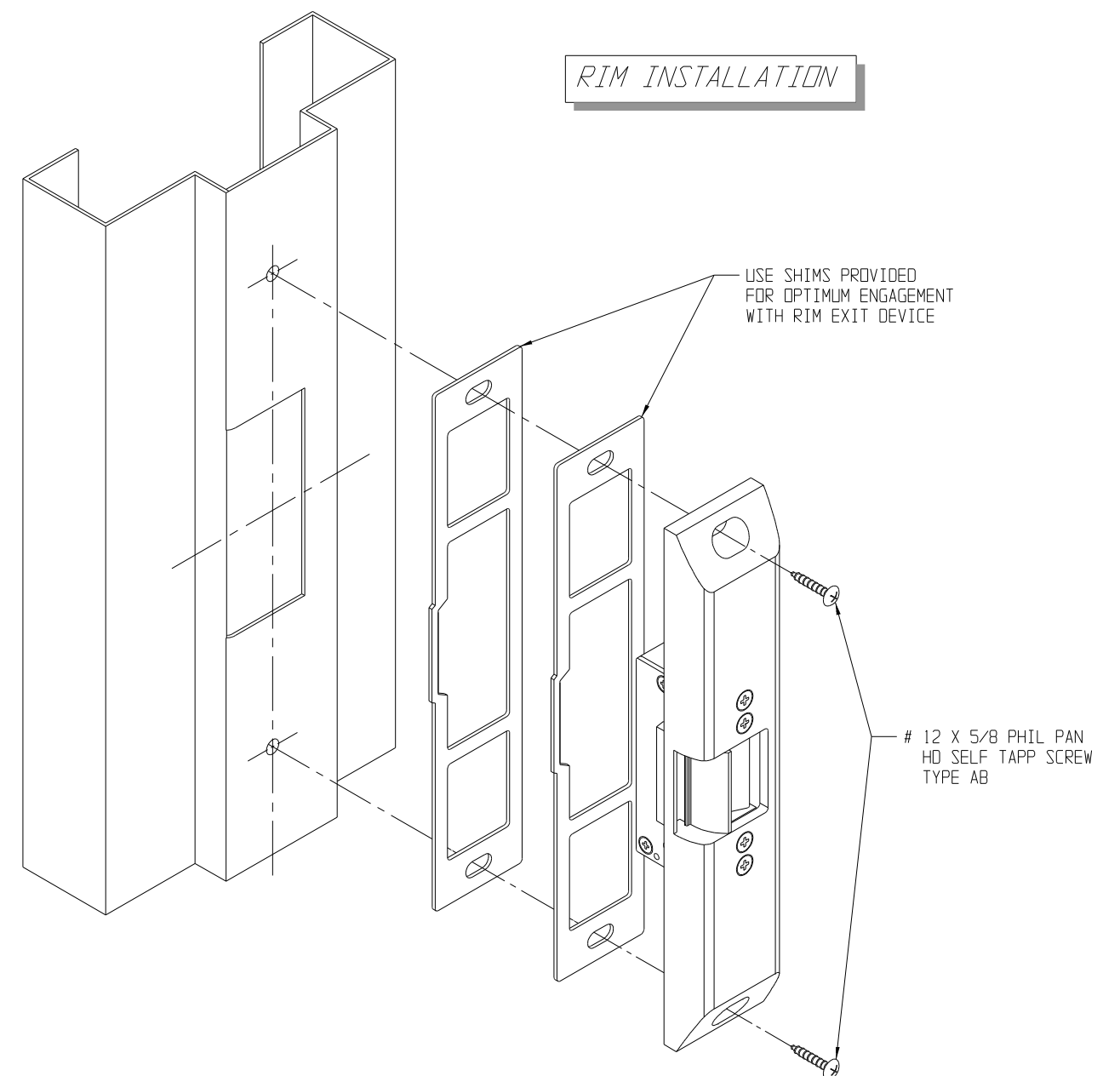
INSTALLATION INSTRUCTIONS

1. PREPARE OODR JAMB PER DRAWING.
2. USING WIRE NUTS PROVIDED, CONNECT WIRES FROM SOLENOID TO THE WIRES COMING FROM THE LOW VOLTAGE SIDE OF THE TRANSFORMER.
3. INSERT ELECTRIC STRIKE INTO JAMB. ATTACH WITH TWO #12 SCREWS.

STATIC STRENGTH	DYNAMIC STRENGTH	ENDURANCE
1500 lbs.	70-foot-pound-force	250,000 cycles



RIM INSTALLATION



www.adamsrite.com
 Phone: 800-626-7590
 800-872-3267
 Fax: 866-582-4641
 800-232-7329

71R1 ELECTRIC STRIKE FOR METAL JAMB

PART NO. : 80-0180-383
 REV. : G
 ECN : 119550
 DATE : 07/20/12