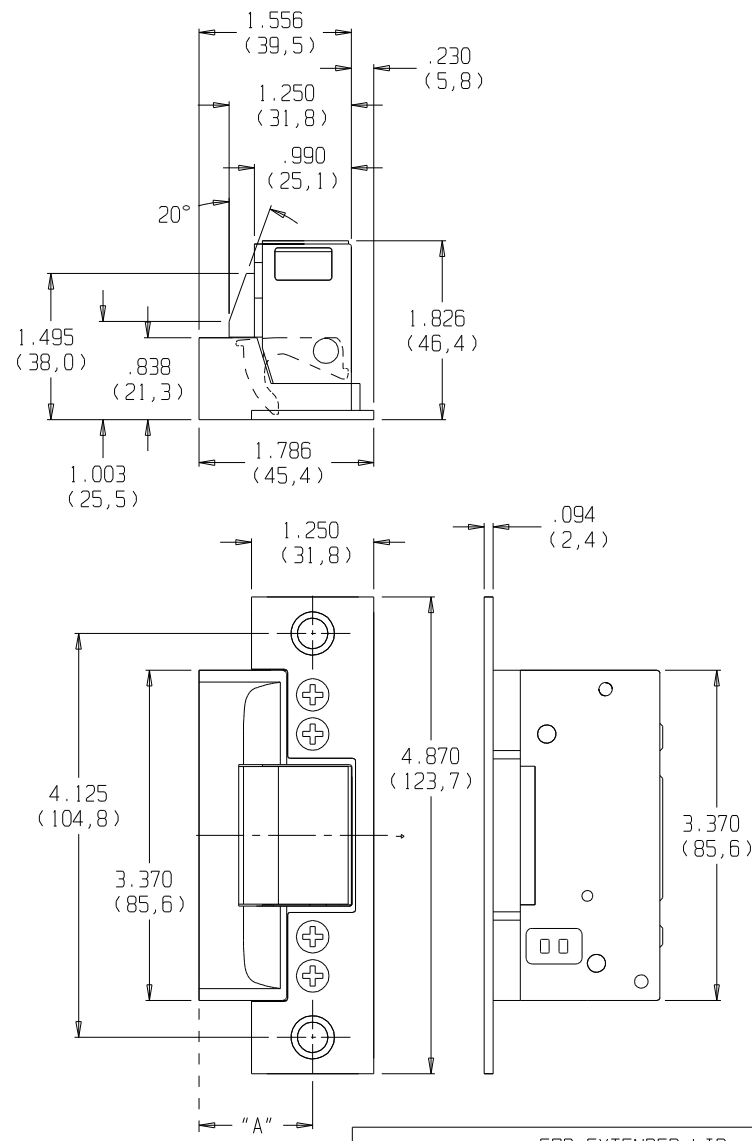
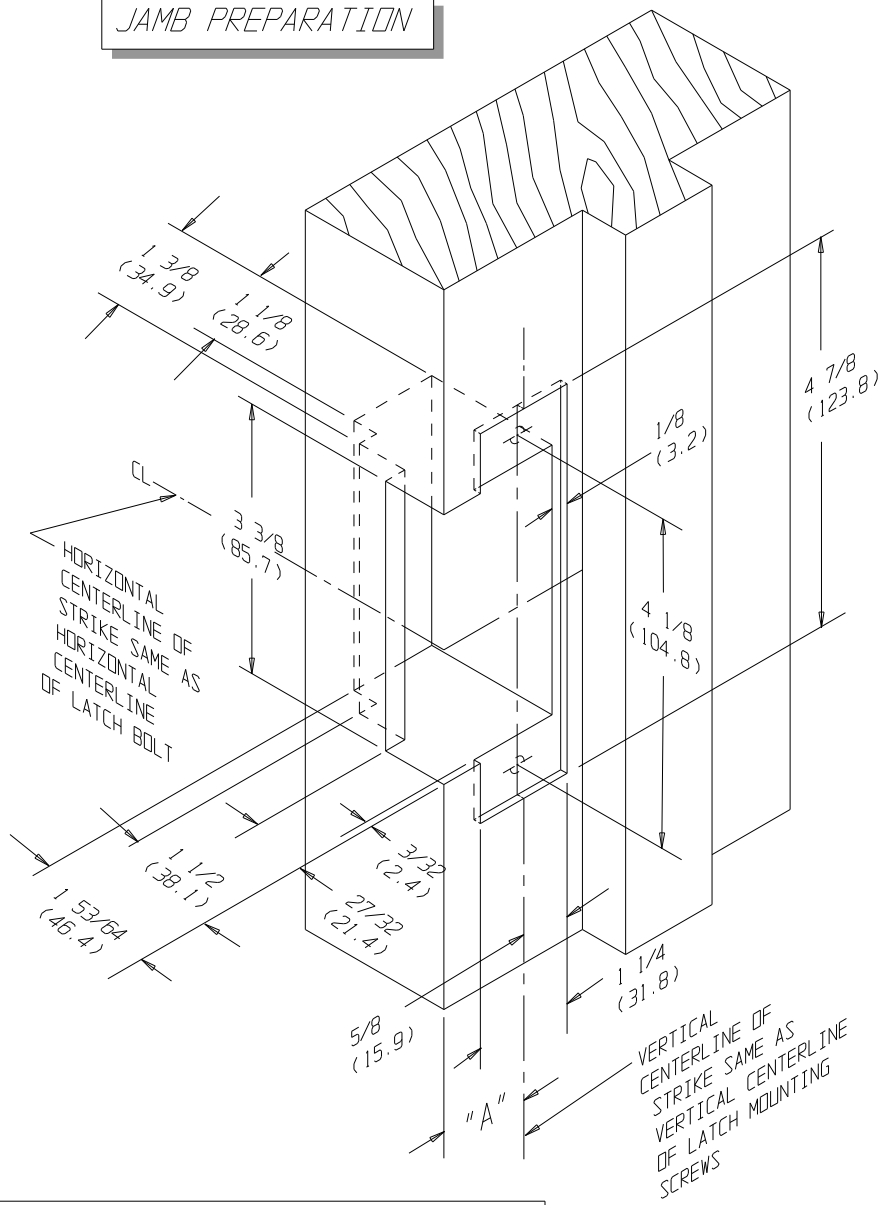


**INSTALLATION INSTRUCTIONS**

**ELECTRIC STRIKE DIMENSIONS**



**JAMB PREPARATION**



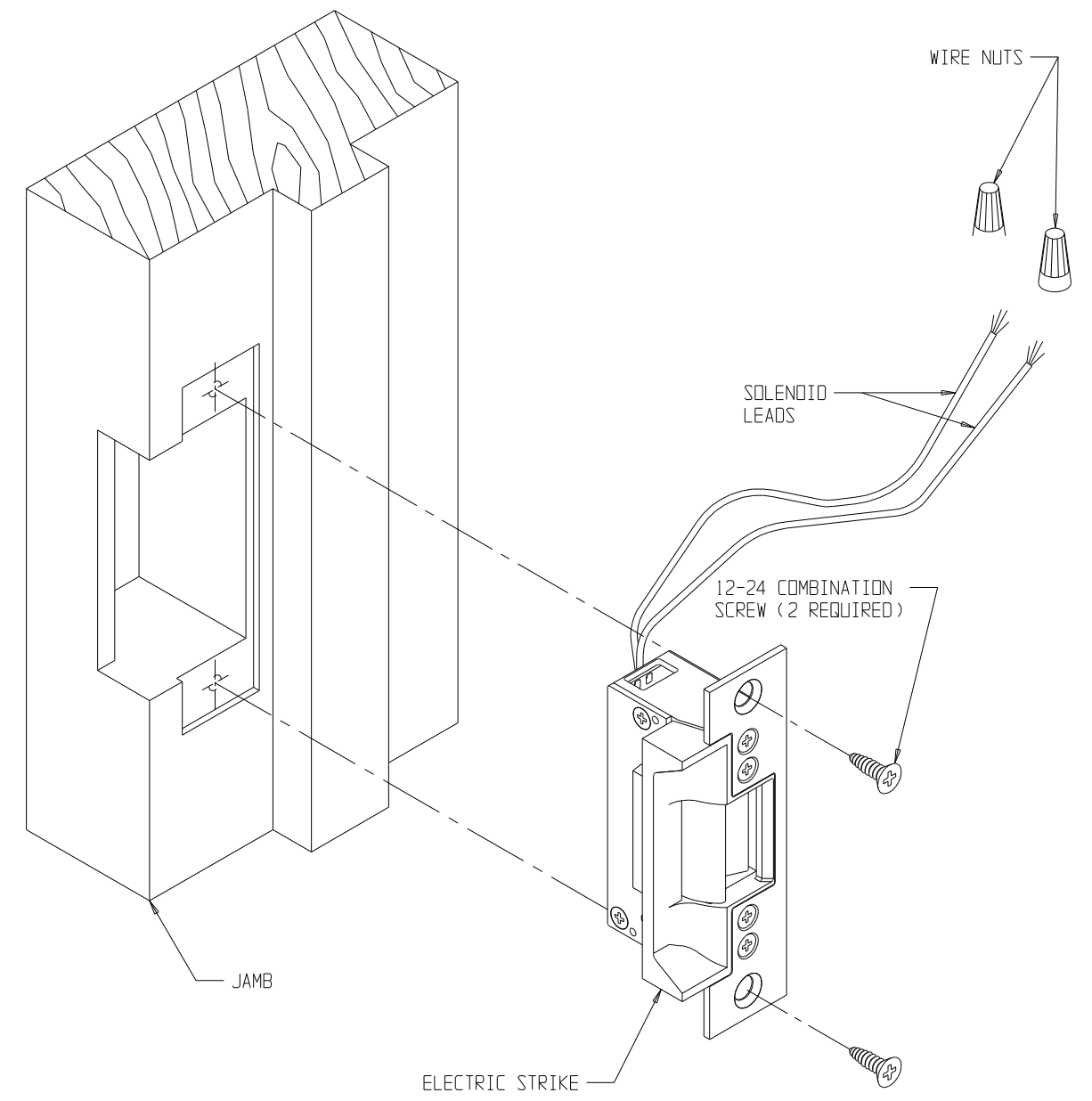
FOR EXTENDED LIP: (DIM "A" DOOR → TO JAMB EDGE)

DASH NO.	DIM "A"	DASH NO.	DIM "A"	DASH NO.	DIM "A"
NONE	1.06	-05	2.00	-10	2.63
-01	1.50	-06	2.13	-11	2.75
-02	1.63	-07	2.25	-12	2.88
-03	1.75	-08	2.38	-13	3.00
-04	1.88	-09	2.50		

NOTE: WHEN DOOR SILENCERS ARE USED ON FRAME, ADJUST STRIKE LOCATION TO ENSURE COMMON LATCH AND STRIKE CENTERLINES.

1. PREPARE DOOR JAMB PER DRAWING.
2. ATTACH SUBCOVER AND FACE PLATE TO THE CASE ASSEMBLY USING FOUR 8-32 X 3/8 SCREWS.
3. USING WIRE NUTS PROVIDED, CONNECT WIRES FROM SOLENOID TO THE WIRES COMING FROM THE LOW VOLTAGE SIDE OF THE TRANSFORMER.
4. INSERT ELECTRIC STRIKE INTO JAMB. ATTACH WITH TWO #12 COMBINATION SCREWS.

STATIC STRENGTH	DYNAMIC STRENGTH	ENDURANCE
1500 lbs.	70-foot-pound-force	250,000 cycles



STANDARD UNIT FITS DIM. "A" UP TO 1 1/16" (SEE DASH NO.)

PRODUCT MUST BE INSTALLED ACCORDING TO ALL APPLICABLE BUILDING AND LIFE SAFETY CODES

REF. TEMPLATE NO. : 52150-1

**Adams Rite**  
**ASSA ABLOY**  
 www.adamsrite.com  
 Phone: 800-626-7590  
 800-872-3267  
 Fax: 866-582-4641  
 800-232-7329

**80-0180-368**

Rev. H

Ecn 119550

Date: 06/29/12

**7170 ELECTRIC STRIKE FOR WOOD JAMB W/ MORTISE LATCHES**

PAGE 1 OF 2  
 PAGE 2 OF 2 IS 80-0180-381 REV. H

Appvd: MP

Date: 07/20/12

**Notes:**

**Fail-Secure Operation - Unlocks** when energized. If power fails the strike remains in a locked condition.

**Fail-Safe Operation - Locks** when energized. Used in applications requiring automatic unlocking in case of power failure.

**Available Voltages:** 12V AC Intermittent duty, 12V AC/DC Continuous duty, 16V AC Intermittent duty, 16V AC/DC Continuous duty, 24V AC Intermittent duty, 24V AC/DC Continuous duty.

**Warning !**

AC Intermittent duty solenoids are designed to be energized 30 seconds at a time. Energizing for longer periods will damage the solenoid.

AC Continuous duty strikes are supplied with a A/R # 4603 rectifier attached to the solenoid leads. These are silent operation strikes - without the "buzzing" sound. They use a DC solenoid with an externally attached, full-wave bridge rectifier.

**Wiring**

The number of wires will vary depending on features of the strike. The voltage and amperage ratings are marked on all strike labels. The solenoid wires are not polarized.

**Monitoring (Optional)**

Monitored strikes contain two, internally mounted, switches: one is activated by the latch bolt's penetration of the strike and the other indicates that the strike jaw is either locked or unlocked by the solenoid.

All unused leads from monitor switches should be insulated.

- Common contact -Black
- Normally open contact (NO) -White
- Normally closed contact (NC) -Red
- Maximum switching current -7 Amps @ 250 VAC

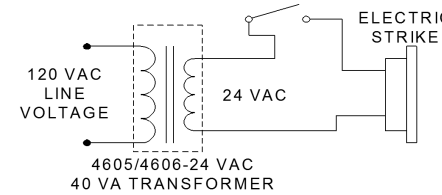
**Warning !**

Intermittent duty solenoids should not be converted to fail-safe configuration. Fail-safe units use only continuous duty solenoids.

**Solenoid Data**

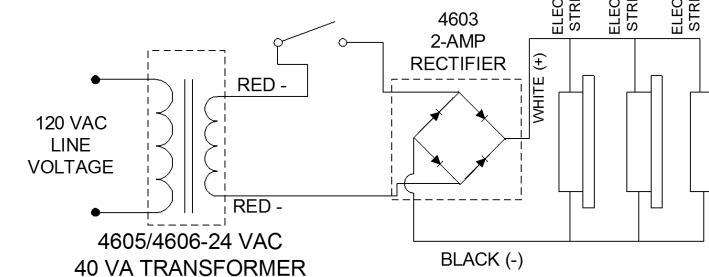
24 VDC CONT.	WHITE STRIPE ON BLACK	141.6	.170	.170	4.09	4.09
16 VDC CONT.	GREEN STRIPE ON BLACK	61.8	.222	.222	3.05	3.05
12 VDC CONT.	RED STRIPE ON BLACK	34.6	.332	.332	3.81	3.81
24 VAC INT.			.744	.431	19.15	6.43
16 VAC INT.	BLUE STRIPE ON BLACK	16.3	1.030	.636	17.30	6.60
12 VAC INT.	YELLOW STRIPE ON BLACK	8.8	1.420	.813	17.74	5.82
DESCRIPTION	WIRE COLOR	COIL RESISTANCE (OHMS ±5%)	PEAK INSTANTANEOUS CURRENT (AMPS)	CONTINUOUS OR HOLD CURRENT (AMPS)	PEAK INSTANTANEOUS POWER (WATTS)	CONTINUOUS OR HOLD POWER (WATTS)

Control Switch (N.O.)  
(ex. Pushbutton, keypad, Card Reader)  
**DRY CONTACTS!**



**TYPICAL ELECTRIC STRIKE WIRING DIAGRAM  
INTERMITTENT DUTY FAIL-SECURE 24 VAC**

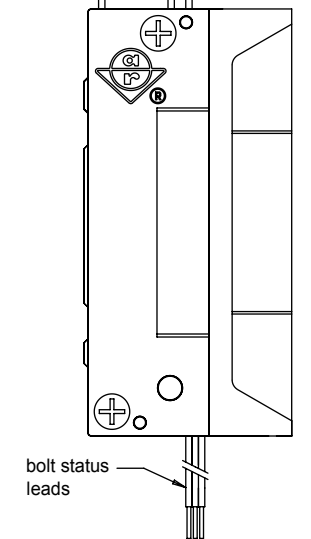
Control Switch (N.O.)  
(ex. Pushbutton, keypad, Card Reader)  
**DRY CONTACTS!**



**TYPICAL ELECTRIC STRIKE WIRING DIAGRAM  
INTERMITTENT/CONTINUOUS DUTY 24 VDC**

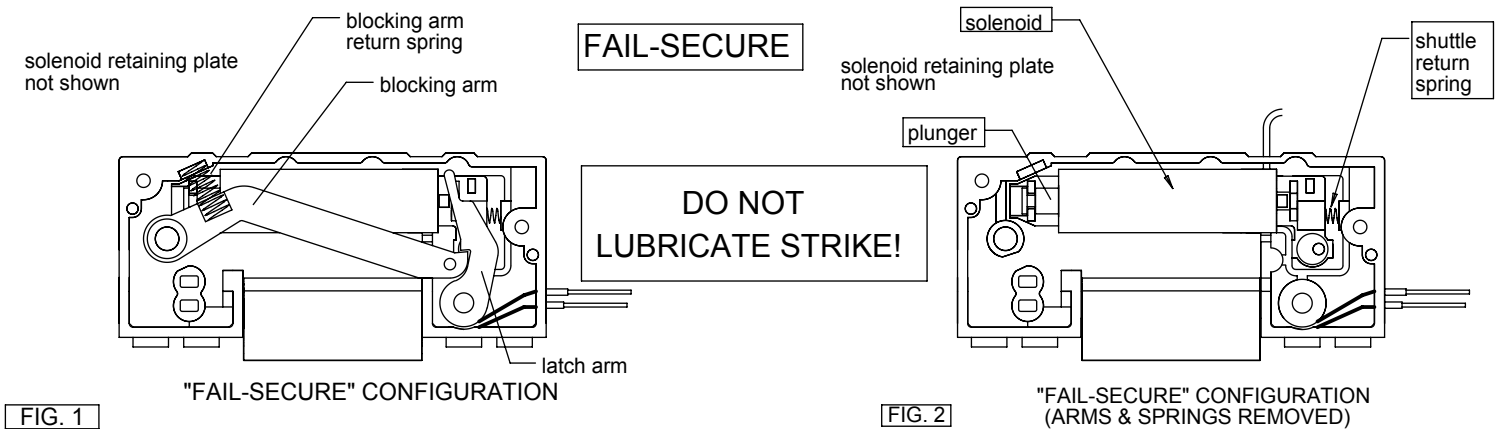
**WIRE CODING (MONITORED VERSION)**

solenoid status leads  
solenoid power leads



**COLOR CODE:**  
Red : NC  
White : NO  
Black : Common

**FIELD REVERSIBLE (FAIL-SECURE)**



**FIELD REVERSIBLE (FAIL-SAFE)**

