

4920AN Heavy Duty Deadlatch (ANSI Size)



HOLLOW
METAL



WOOD

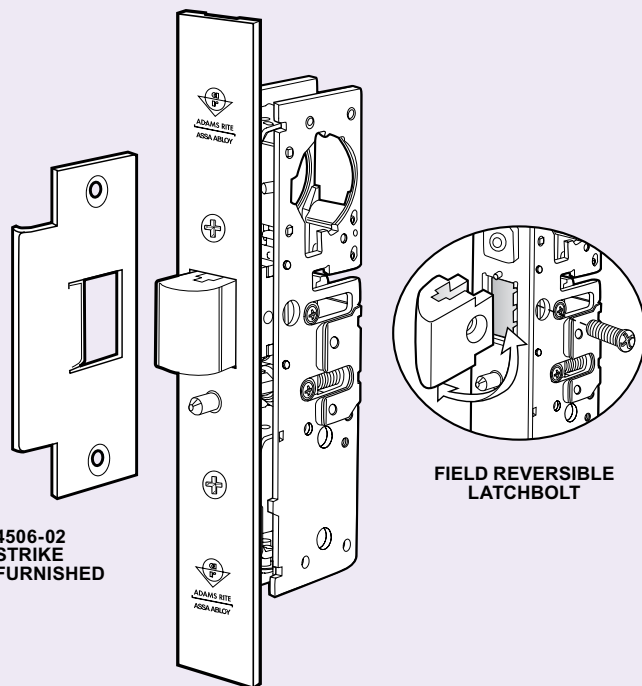


GRADE 1
E8231

4920AN Heavy Duty Deadlatch provides flexible traffic control and easy installation for wood or hollow metal doors.

Function

For hollow metal or wood doors prepared for hardware according to the specifications of the American National Standards Institute (ANSI), 4920AN Heavy Duty Deadlatches provide precise traffic control. A key-controlled bolt hold-back feature allows a door to free-swing part of the day and exit-only when the bolt is free to latch. This allows a "locked" entrance to be used as an exit by customers or visitors already in the building. Interchangeable, without door modification, with any MS1850SN Deadlock of same faceplate shape and backset. Replaces 4520 and 4720 ANSI Deadlatches. 1-3/4" minimum door thickness required.



Operation

Turn key or operate handle to retract spring-loaded Latchbolt. To hold bolt retracted, push it in and secure by reverse turn of key. Uses any standard mortise cylinder with MS® dimensioned cam.

Specifications

BOLT HOLDBACK

- While bolt is held fully retracted, a reverse turn of the key retains the bolt, allowing the door to be free swinging.

CYLINDER BACKSET

- 1-1/2" or 2-3/4" only.

CASE

- Measures 7/8" x 5-13/16" x depth. Depth varies by backset (see table on back of page). Steel with corrosion-resistant plating.

LATCHBOLT

- 5/8" x 1" x 5/8" throw. Solid brass. Handing is easily reversible using only a screwdriver.

AUXILIARY LATCHPIN

- Stainless steel. Deadlocks latchbolt to prevent "loiding" or case-knife entry.

FACEPLATE

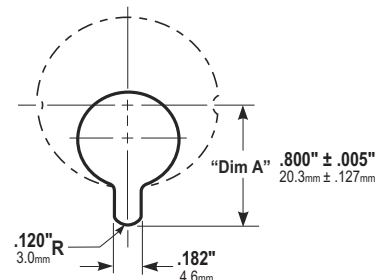
- 1-1/4" x 8" armored flat faceplate can also be adjusted in the field for right or left beveled edge doors.

STRIKES

- Stainless steel, US32D Satin finish (630). 4506-02 Strike furnished to ANSI preparation specifications for flat jamb.

CYLINDER CAM

- 4920AN Heavy Duty Deadlatches are operable by any standard 1-5/32" diameter mortise cylinder with MS® cam dimensioned as shown. Cylinders with MS® cams can be readily obtained from most cylinder manufacturers. See CYLINDERS section for cylinder make, thumbturn and trim ring information.

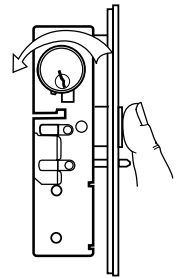


OPTIONS

- Backset, strike, and finish must be specified when ordering. See 4900 Heavy Duty Deadlatch for aluminum stile door applications.

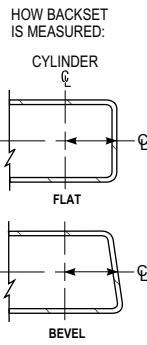
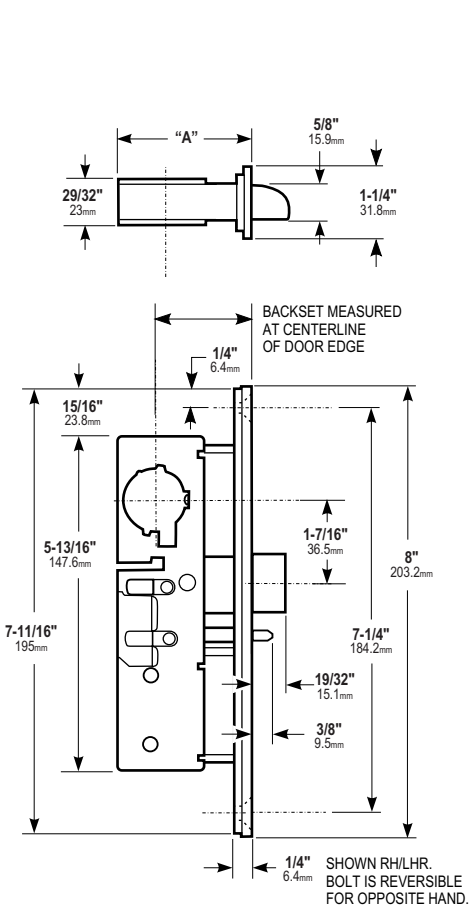
STANDARD PACKAGE

- Individually boxed with faceplate, strike, and machine screws for mounting. Order cylinders, paddles, handles or lever operators separately. Shipping weight: 1-1/4 lbs.

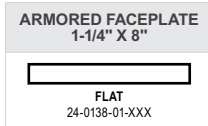


All measurements are approximate and are provided for informational purposes only. Refer to the product Installation Instructions.

Dimensions Nominal, subject to tolerance extremes



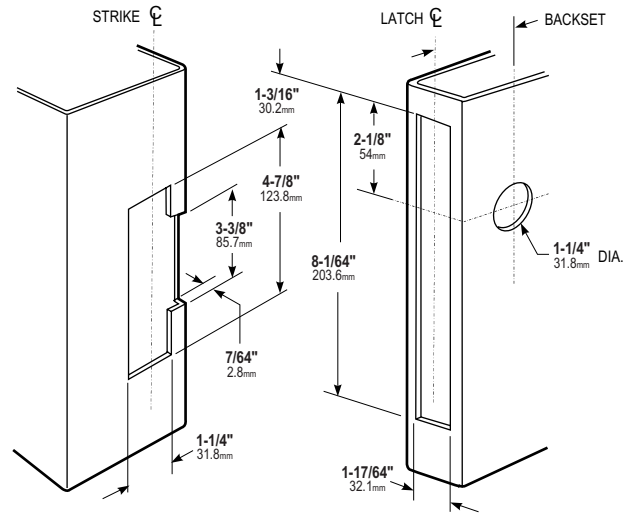
BACKSET	"A"
1-1/2" 38.1mm	2-9/64" 54.4mm
2-3/4" 69.9mm	3-25/64" 86.1mm



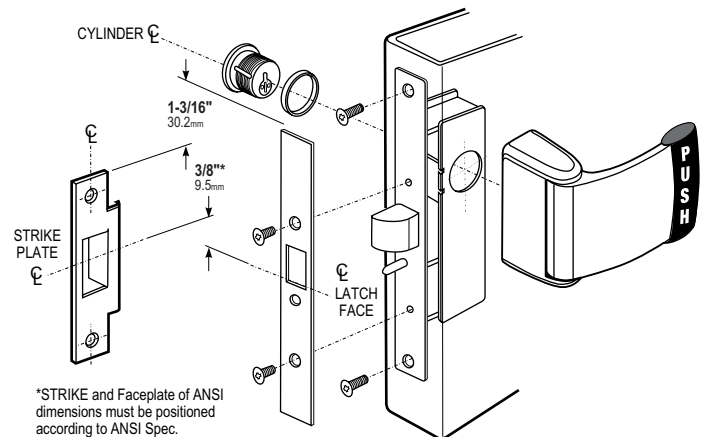
Flat faceplate can be adjusted for right or left beveled edge doors.

Jamb & Door Preparation

Identical to MS1850SN Series
(See also prep for 4591 paddle).



Latch Paddle & Cylinder Installation



HOW TO ORDER 4920AN HEAVY DUTY DEADLATCH (ANSI SIZE)

Specify quantity and the following information. Order related products separately.

Product No.	BACKSET	HANDING	STRIKE	FACEPLATE FINISH
4920AN	4	6	-602	-313
	4 1-1/2"	5 LH or RHR	000 Less Strike	313 Dark Bronze Anodized
	5 2-3/4"	6 RH or LHR	602 4506 Strike	335 Black Anodized
				628 Clear Anodized

RELATED PRODUCTS When purchasing this product, please consider the following related products, available separately:

Accessories

Lock mounting accessories and options.

Cylinders

4920AN Heavy Duty Deadlatches (ANSI Size) operable by any standard 1-5/32" diameter mortise cylinder with MS® cam.

Trim

Entry trim, paddles, handles and lever operators.

Electric Strikes

Application sepecific.