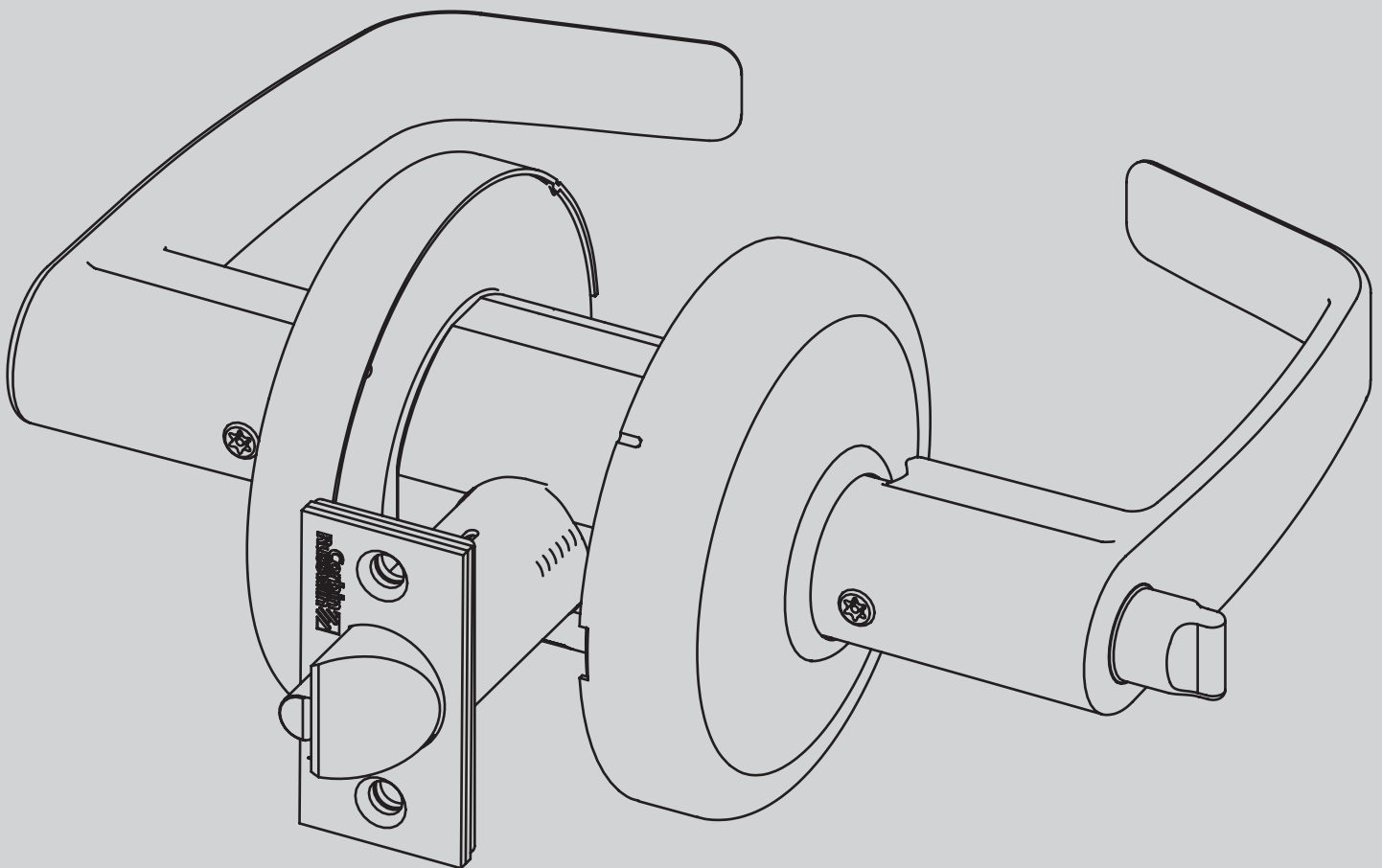


Corbin
Russwin

ASSA ABLOY

CL3100 Series

Lever Lockset Parts Manual



ASSA ABLOY, the global leader
in door opening solutions

Outside	Inside	Series/ Function	Type	ANSI No.	Function Description	Page Number
		CL3110	Passage or Closet	F75	<ul style="list-style-type: none"> Latchbolt by lever either side. Both levers always free. 	4
		CL3120	Privacy, Bedroom or Bathroom	F76A	<ul style="list-style-type: none"> Throw-off latchbolt by lever. Outside lever locked by push button on inside lever. Outside lever unlocked by emergency release tool outside, by rotating inside lever or by closing door. Inside lever always free. 	5
		CL3120H	Hospital Privacy	—	<ul style="list-style-type: none"> Outside lever locked by push button on inside lever. Outside lever unlocked by rotating thumbturn on outside lever and releasing inside push button. Rotating inside lever or closing door also unlocks outside lever. 	6
		CL3129	Hotel or Motel	F93	<ul style="list-style-type: none"> Deadlocking latchbolt by lever inside or by key outside. Push button shuts out all keys except emergency key, and projects occupancy indicator in face of cylinder. Push button released by turning inside lever. Outside lever always locked. Inside lever always free. Not available with other manufacturers keyways Pushbutton will not depress unless door is in closed position Lockout key fixes pushbutton in locked position, shutting out all keys except emergency key. Lockout key ordered separately. 	7
		CL3132	Institutional or Utility	F87	<ul style="list-style-type: none"> Deadlocking latchbolt by key either side. Should be used only in office or room with multiple entries. 	8
		CL3140NT	Exit Latch	F89	<ul style="list-style-type: none"> Deadlocking latchbolt by lever inside. Outside lever always locked. Inside lever always free. 	9
		CL3150	Half Dummy Trim	—	<ul style="list-style-type: none"> Lever acts as pull only; no operation. Lever is rigid. 	10
		CL3151	Entrance or Office	F81	<ul style="list-style-type: none"> Deadlocking latchbolt by lever either side, except when turn button locks outside. Turning button locks outside lever, requiring key at all times. Turning inside lever does not unlock outside lever until button is manually turned to unlocked position. Inside lever always free. 	11
		CL3152	Classroom Intruder	—	<ul style="list-style-type: none"> Deadlocking latchbolt by inside lever or outside lever except when key inside or outside locks outside lever. Key in either lever locks or unlocks the outside lever except when inside locks the outside lever - then only the inside key can unlock the outside lever. The outside key only retracts the latchbolt unless the outside lever is unlocked by the inside key. Inside lever always free. 	12
		CL3155	Classroom	F84	<ul style="list-style-type: none"> Deadlocking latchbolt by lever either side, except when key outside locks outside lever. Outside lever locked or unlocked by key outside. Inside lever always free. 	13

Indicates optional interchangeable core available.

Outside	Inside	Series/ Function	Type	ANSI No.	Function Description	Page Number
		CL3157	Storeroom or Closet	F86	<ul style="list-style-type: none"> • Deadlocking latchbolt by key in outside lever or by rotating inside lever. • Inside lever always free. • Outside lever rigid at all times. 	14
		CL3161	Entry or Office	F82A	<ul style="list-style-type: none"> • Deadlocking latchbolt by lever either side, except when push button locks outside lever. • Push button released by turning inside lever or by key in outside lever. • Closing door does not release push button. • Inside lever always free. 	15
		CL3162	Communicating	F80	<ul style="list-style-type: none"> • Deadlocking latchbolt by lever either side, except when key in either lever locks and unlocks the lever independently of the other. • Keyed alike unless otherwise specified. • Should be used only in office or room with multiple entries. 	16
		CL3170	Full Dummy Trim	—	<ul style="list-style-type: none"> • Levers act as pulls only; no operation. • Levers are rigid. 	17
		CL3172	Apartment, Exit or Public Toilet	F88	<ul style="list-style-type: none"> • Deadlocking latchbolt by lever either side, except when key inside locks outside lever. • Key outside retracts latchbolt when outside lever is locked by key inside. • Key inside unlocks outside lever. • Inside lever always free. • Keyed alike unless otherwise specified. 	18
		CL3175	Corridor/ Dormitory Lock	F90	<ul style="list-style-type: none"> • Latchbolt by lever either side except when pushbutton or key locks outside lever. • Pushbutton will not depress unless door is in closed position. • Depressed pushbutton indicates door is locked. Rotating inside lever releases button. • Inside lever always free. • Outside lever rigid when locked. 	19
		CL3180	Passage Lever x Blank Plate	F111	<ul style="list-style-type: none"> • Deadlocking latchbolt by lever. • Lever on one side; blank plate on other side. • Lever always free. • For single or double communicating doors. 	20
		CL3193	Service Station	F92	<ul style="list-style-type: none"> • Deadlocking latchbolt by lever. • Outside lever locked by push button. • Key retracts latchbolt when outside lever is locked. • Pushbutton will not depress unless door is in closed position • Push button released by turning inside lever or by key in outside lever, unless pushbutton is fixed in locked position by turning coin slot in inside lever. • Inside lever always free. 	21

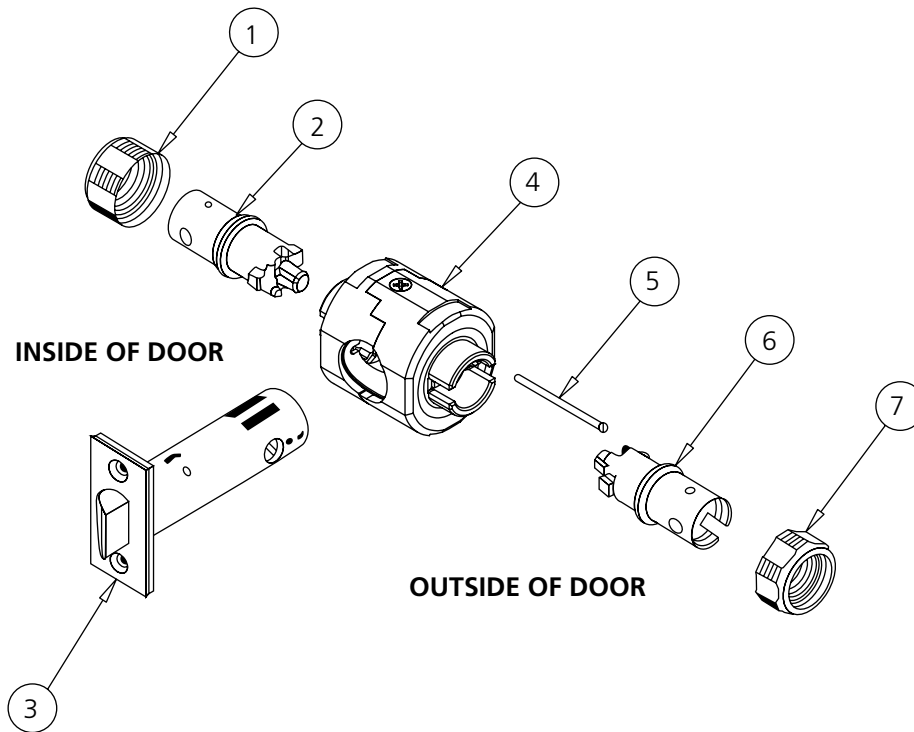
Indicates optional interchangeable core available.

Miscellaneous Parts.....	22
Sleeve Assemblies	23-24
Latch Assemblies.....	25
Levers	26
Rose Assemblies.....	27
Cylinders.....	28
Strikes.....	29

Item	Part Number	Description	Quantity
1	778F888	Inside Collar	1
2	776F708	Inside Sleeve Assembly	1
3	*780F81	Latch Assembly, A	1
4	779F787	Bearing Assembly	1
5	778F868	Aligning Pin	1
6	776F708	Outside Sleeve Assembly	1
7	778F898	Outside Collar	1

* Specify Finish

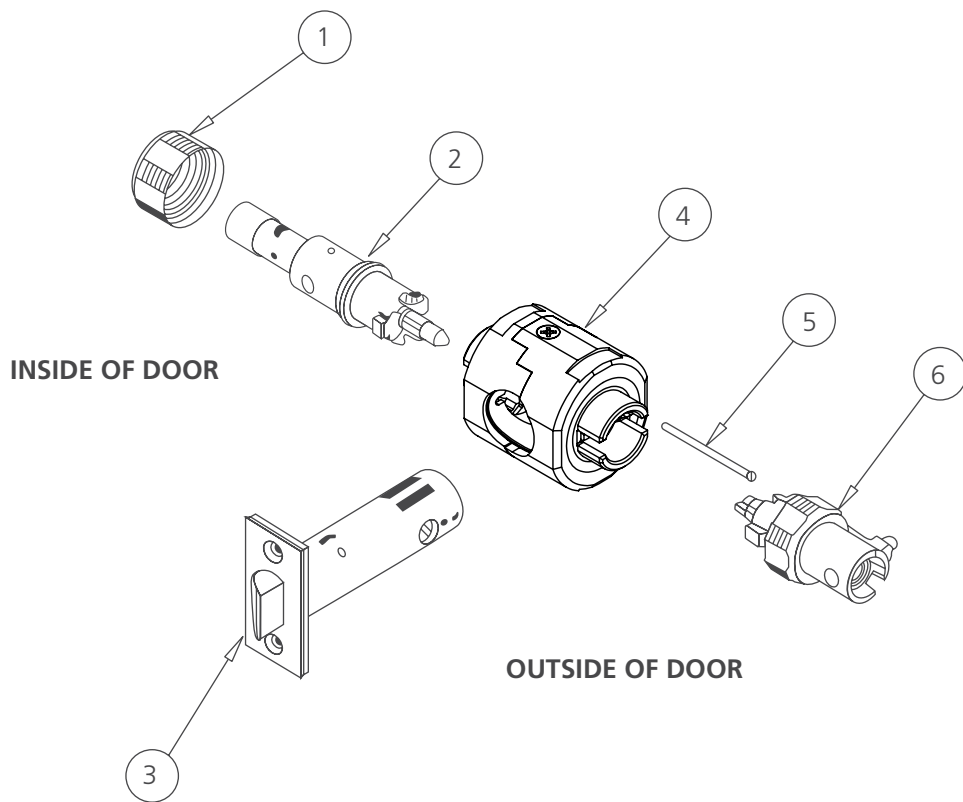
Note: Refer to pages 23-25 for part numbers associated with non-standard doors. For Lever and Rose options, see pages 26-27.



Item	Part Number	Description	Quantity
1	778F888	Inside Collar	1
2	*776F042	Inside Sleeve Assembly	1
3	*780F83	Latch Assembly, C	1
4	779F787	Bearing Assembly	1
5	778F868	Aligning Pin	1
6	776F698	Outside Sleeve Assembly	1

* Specify Finish

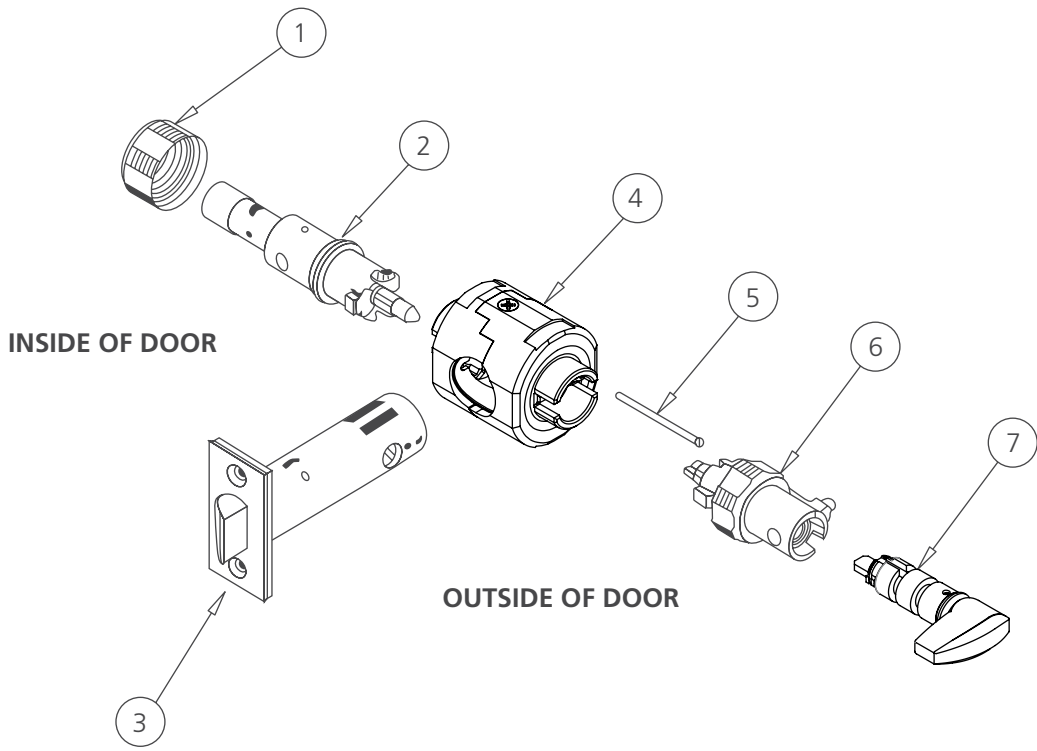
Note: Refer to pages 23-25 for part numbers associated with non-standard doors. For Lever and Rose options, see pages 26-27.



Item	Part Number	Description	Quantity
1	778F888	Inside Collar	1
2	*776F042	Inside Sleeve Assembly	1
3	*780F83	Latch Assembly, C	1
4	779F787	Bearing Assembly	1
5	778F868	Aligning Pin	1
6	776F698	Outside Sleeve Assembly	1
7	*779F962	Emergency Release Cylinder	1

* Specify Finish

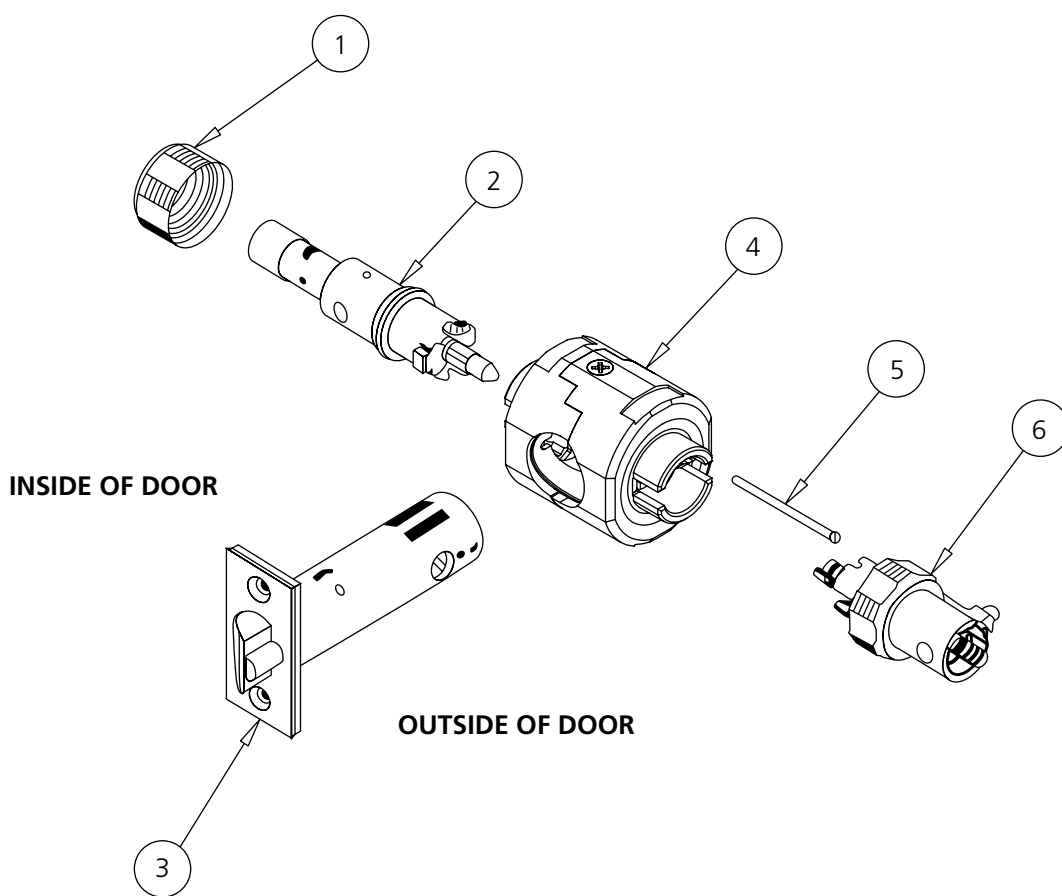
Note: Refer to pages 23-25 for part numbers associated with non-standard doors. For Lever and Rose options, see pages 26-27.



Item	Part Number	Description	Quantity
1	778F888	Inside Collar	1
2	*776F032	Inside Sleeve Assembly	1
3	*780F84	Latch Assembly, D	1
4	779F787	Bearing Assembly	1
5	778F868	Aligning Pin	1
6	776F678	Outside Sleeve Assembly	1

* Specify Finish

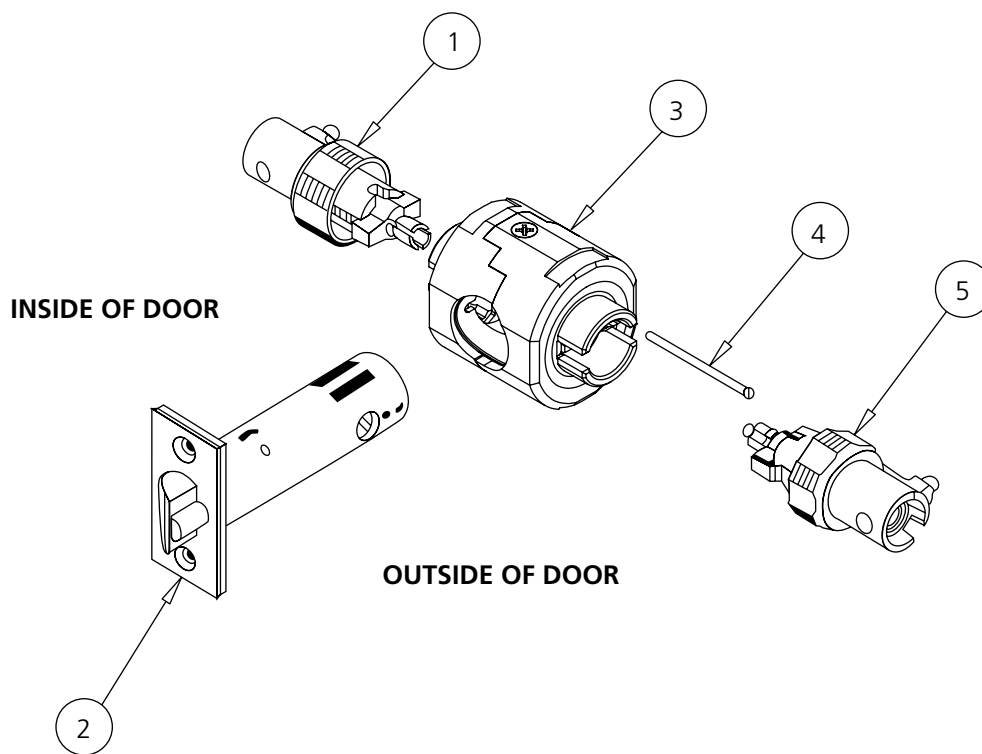
Note: Refer to pages 23-25 for part numbers associated with non-standard doors. For Lever and Rose options, see pages 26-27.



Item	Part Number	Description	Quantity
1	776F858	Inside Sleeve Assembly	1
2	*780F82	Latch Assembly, B	1
3	779F787	Bearing Assembly	1
4	778F868	Aligning Pin	1
5	776F658	Outside Sleeve Assembly	1

* Specify Finish

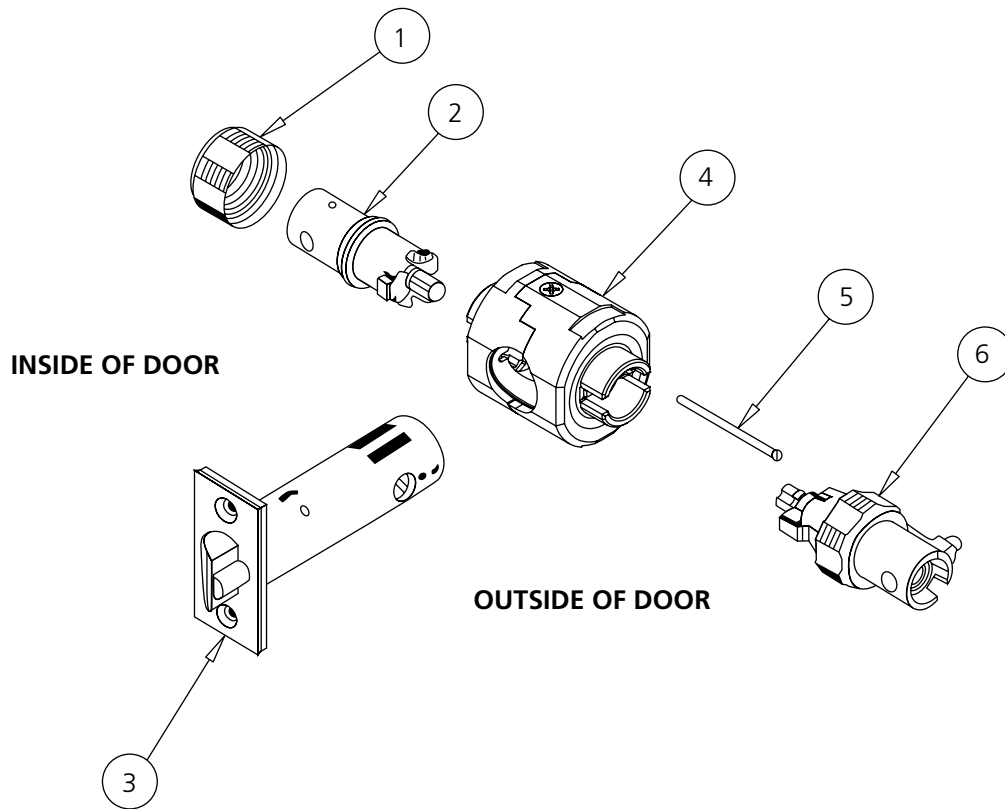
Note: Refer to pages 23-25 for part numbers associated with non-standard doors. For Lever and Rose options, see pages 26-27.



Item	Part Number	Description	Quantity
1	778F888	Inside Collar	1
2	776F878	Inside Sleeve Assembly	1
3	*780F82	Latch Assembly, B	1
4	779F787	Bearing Assembly	1
5	778F868	Aligning Pin	1
6	776F648	Outside Sleeve Assembly	1

* Specify Finish

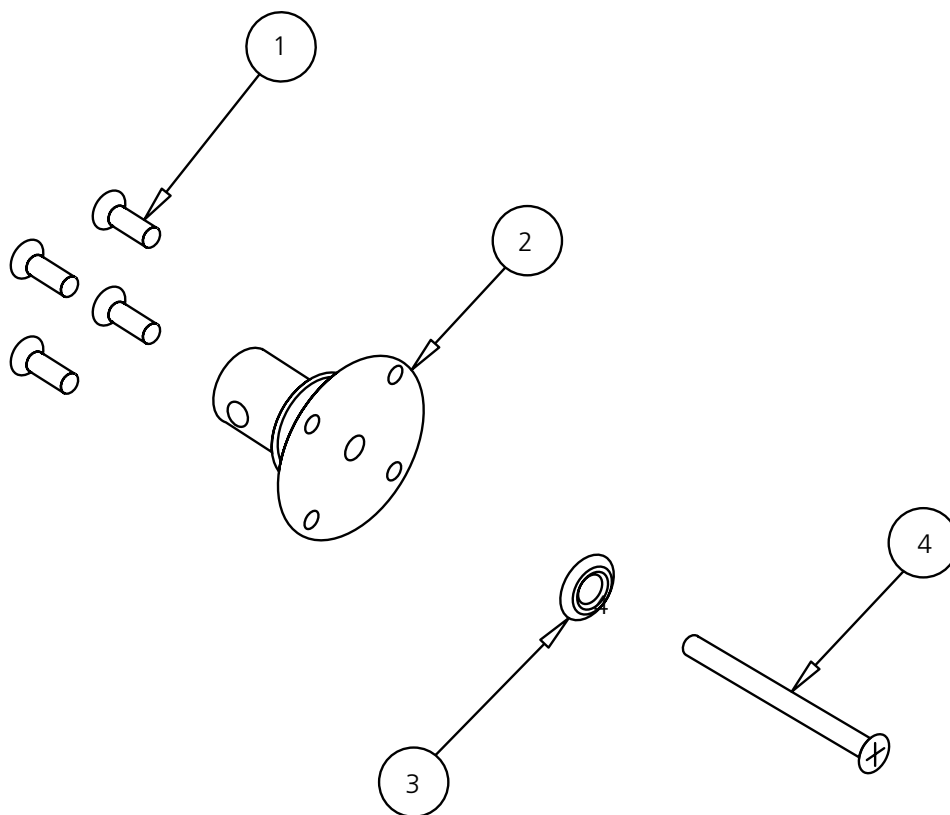
Note: Refer to pages 23-25 for part numbers associated with non-standard doors. For Lever and Rose options, see pages 26-27.



Item	Part Number	Description	Quantity
1	206F578	Screw, combo #8 PH	4
2	790F988	Inside Mounting Flange Assembly	1
3	*403F302	Cup Washer	1
4	*350F318	Machine Screw 1/4-20 x 2-3/4"	1

* Specify Finish

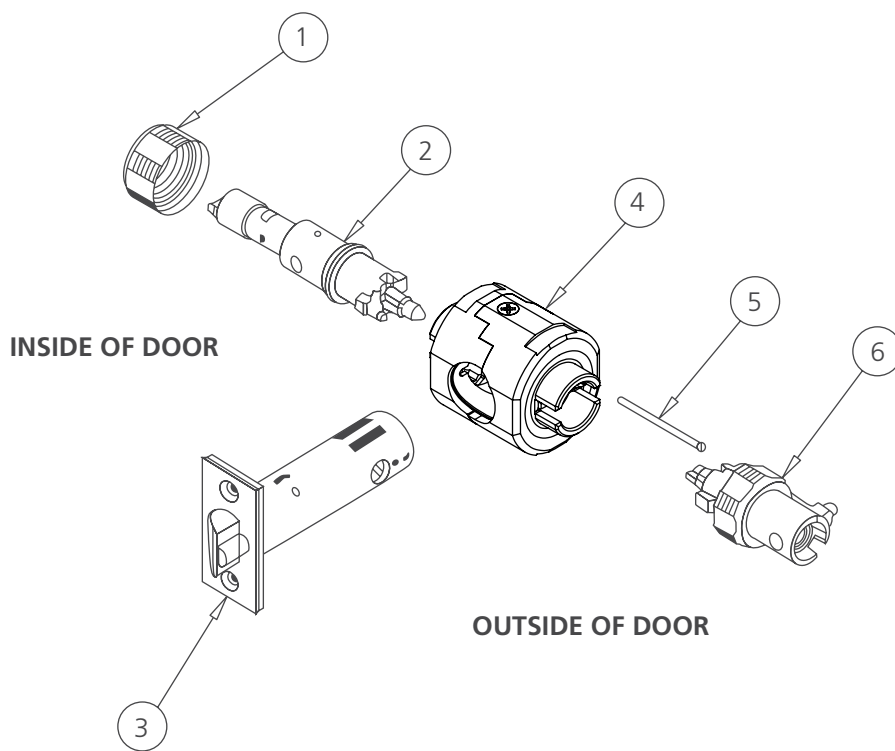
Note: Refer to pages 23-25 for part numbers associated with non-standard doors. For Lever and Rose options, see pages 26-27.



Item	Part Number	Description	Quantity
1	778F888	Inside Collar	1
2	*776F002	Inside Sleeve Assembly	1
3	*780F82	Latch Assembly, B	1
4	779F787	Bearing Assembly	1
5	778F868	Aligning Pin	1
6	776F638	Outside Sleeve Assembly	1

* Specify Finish

Note: Refer to pages 23-25 for part numbers associated with non-standard doors.

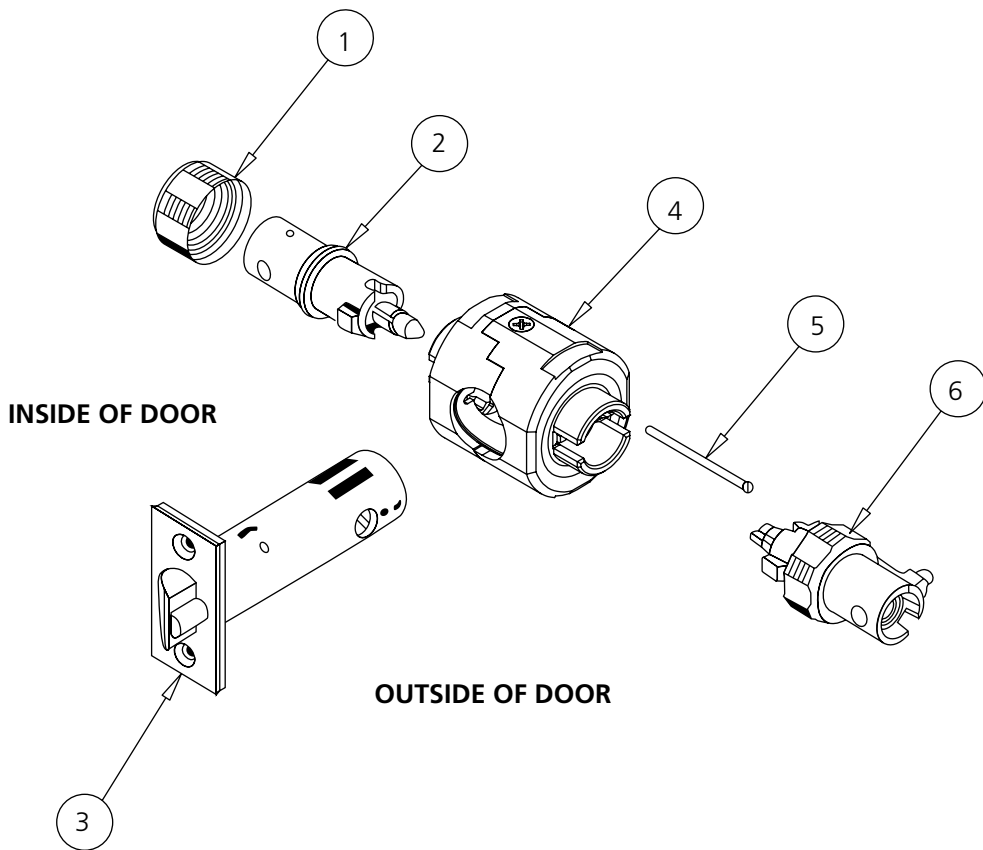


Item	Part Number	Description	Quantity
1	778F888	Inside Collar	1
2	776F848	Inside Sleeve Assembly	1
3	*780F82	Latch Assembly, B	1
4	779F787	Bearing Assembly	1
5	778F868	Aligning Pin	2
6	776F688	Outside Sleeve Assembly	1

* Specify Finish

** Screws are provided in a packet for the latch and strike (ANSI std) and are not sold separately.

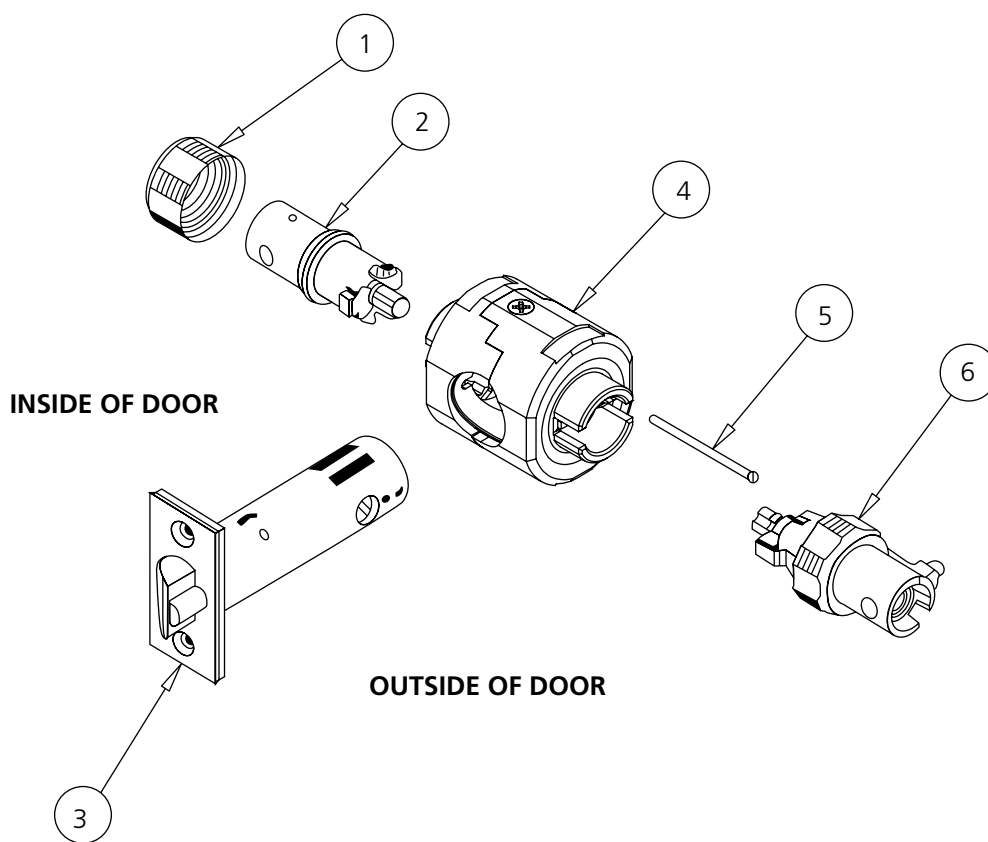
Note: Refer to pages 23-25 for part numbers associated with non-standard doors. For Lever and Rose options, see pages 26-27.



Item	Part Number	Description	Quantity
1	778F888	Inside Collar	1
2	776F708	Inside Sleeve Assembly	1
3	*780F82	Latch Assembly, B	1
4	779F787	Bearing Assembly	1
5	778F868	Aligning Pin	1
6	776F668	Outside Sleeve Assembly	1

* Specify Finish

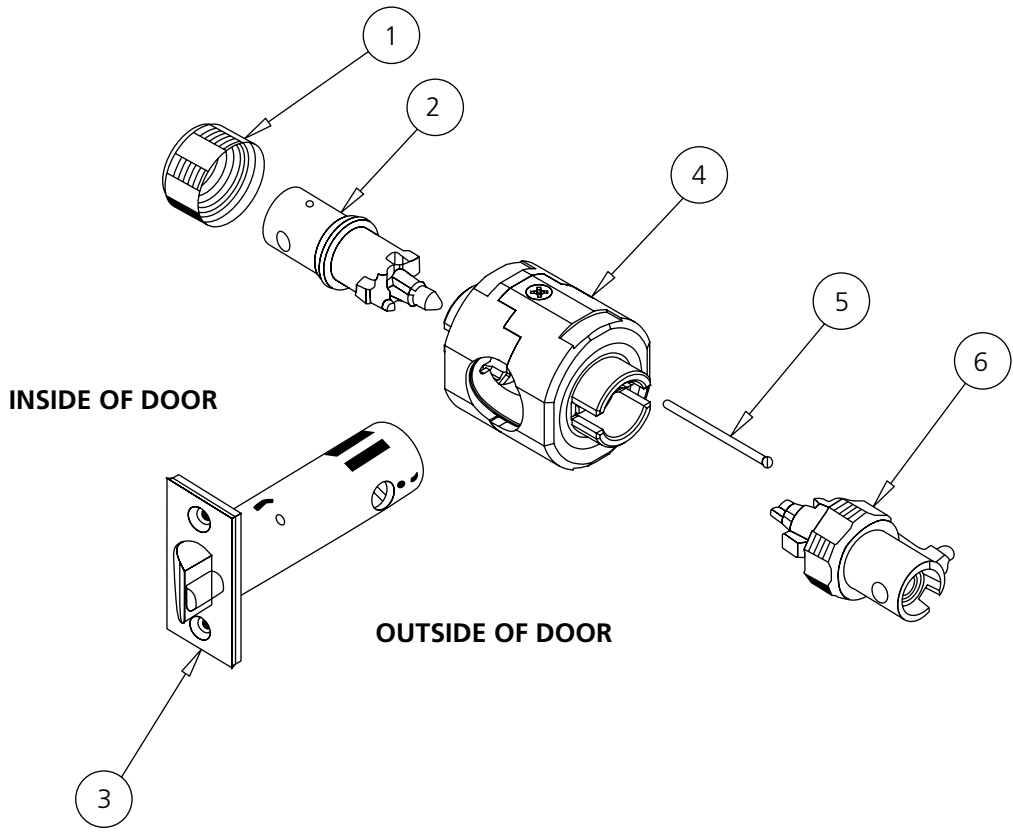
Note: Refer to pages 23-25 for part numbers associated with non-standard doors. For Lever and Rose options, see pages 26-27.



Item	Part Number	Description	Quantity
1	778F888	Inside Collar	1
2	776F878	Inside Sleeve Assembly	1
3	*780F82	Latch Assembly, B	1
4	779F787	Bearing Assembly	1
5	778F868	Aligning Pin	1
6	776F638	Outside Sleeve Assembly	1

* Specify Finish

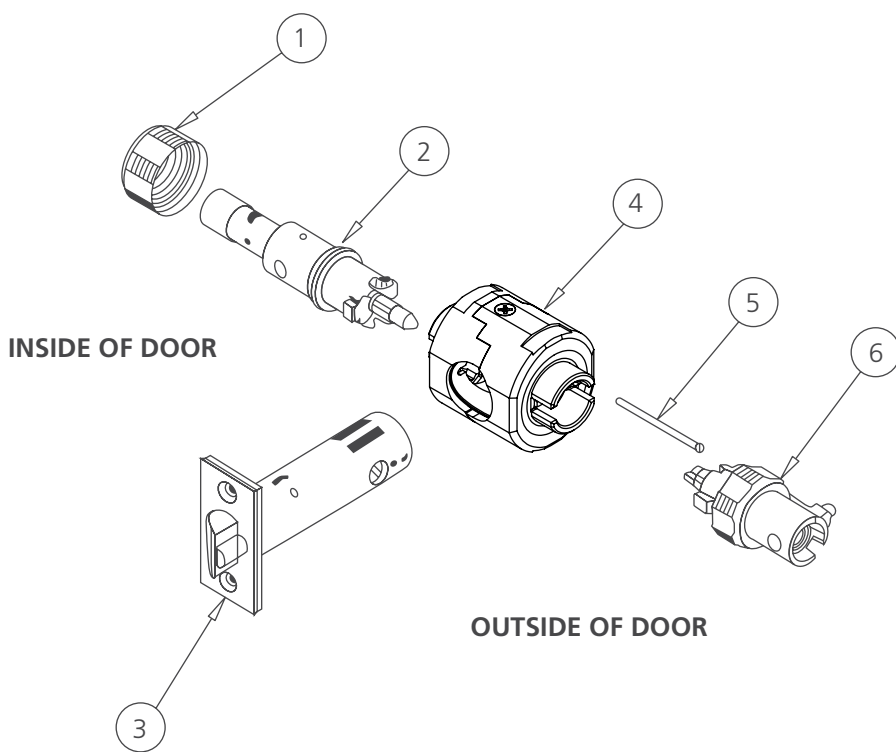
Note: Refer to pages 23-25 for part numbers associated with non-standard doors. For Lever and Rose options, see pages 26-27.



Item	Part Number	Description	Quantity
1	778F888	Inside Collar	1
2	*776F022	Inside Sleeve Assembly	1
3	*780F85	Latch Assembly, K	1
4	779F787	Bearing Assembly	1
5	778F868	Aligning Pin	1
6	775F808	Outside Sleeve Assembly	1

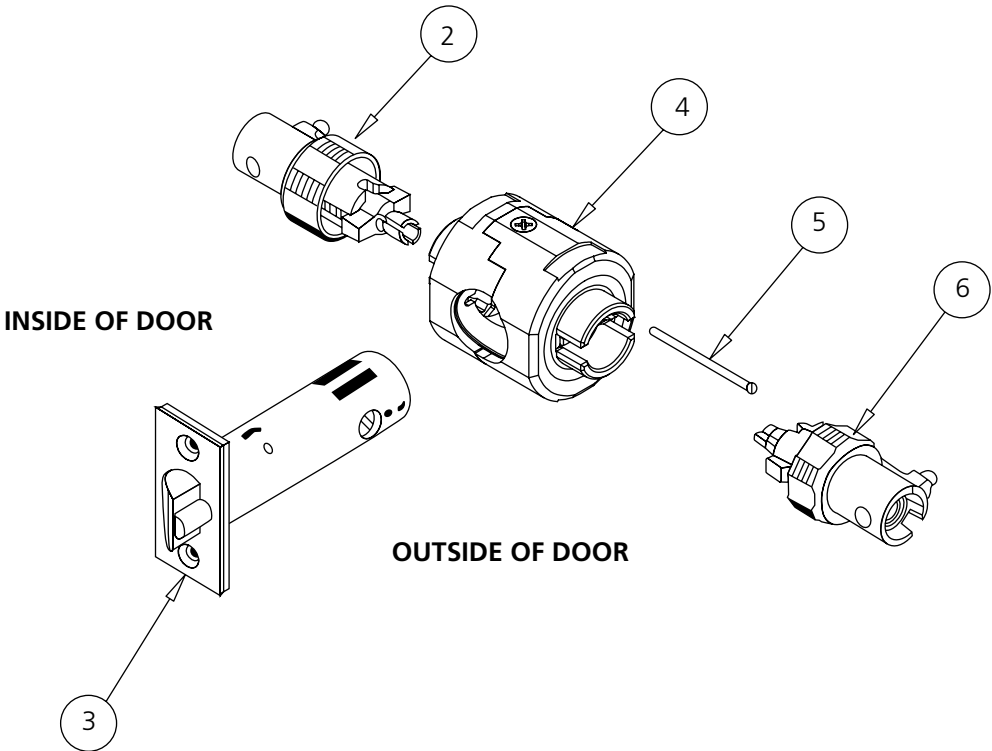
* Specify Finish

Note: Refer to pages 23-25 for part numbers associated with non-standard doors. For Lever and Rose options, see pages 26-27.



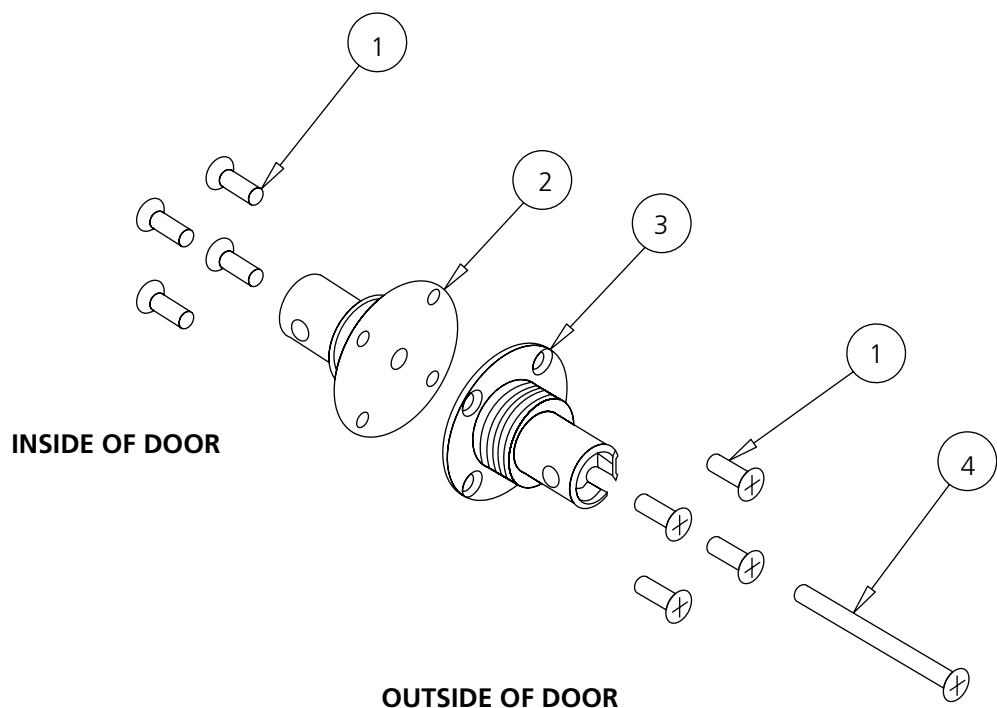
Item	Part Number	Description	Quantity
2	776F868	Inside Sleeve Assembly (Includes Collar)	1
3	*780F82	Latch Assembly, B	1
4	779F787	Bearing Assembly	1
5	778F868	Aligning Pin	2
6	776F668	Outside Sleeve Assembly	1

* Specify Finish
Note: Refer to pages 23-25 for part numbers associated with non-standard doors. For Lever and Rose options, see pages 26-27.



Item	Part Number	Description	Quantity
1	206F578	Screw, combo #8 PH	8
2	790F988	Inside Mounting Flange Assembly	1
3	790F998	Outside Mounting Flange Assembly	1
4	350F318	Machine Screw 1/4-20 x 2-3/4"	1

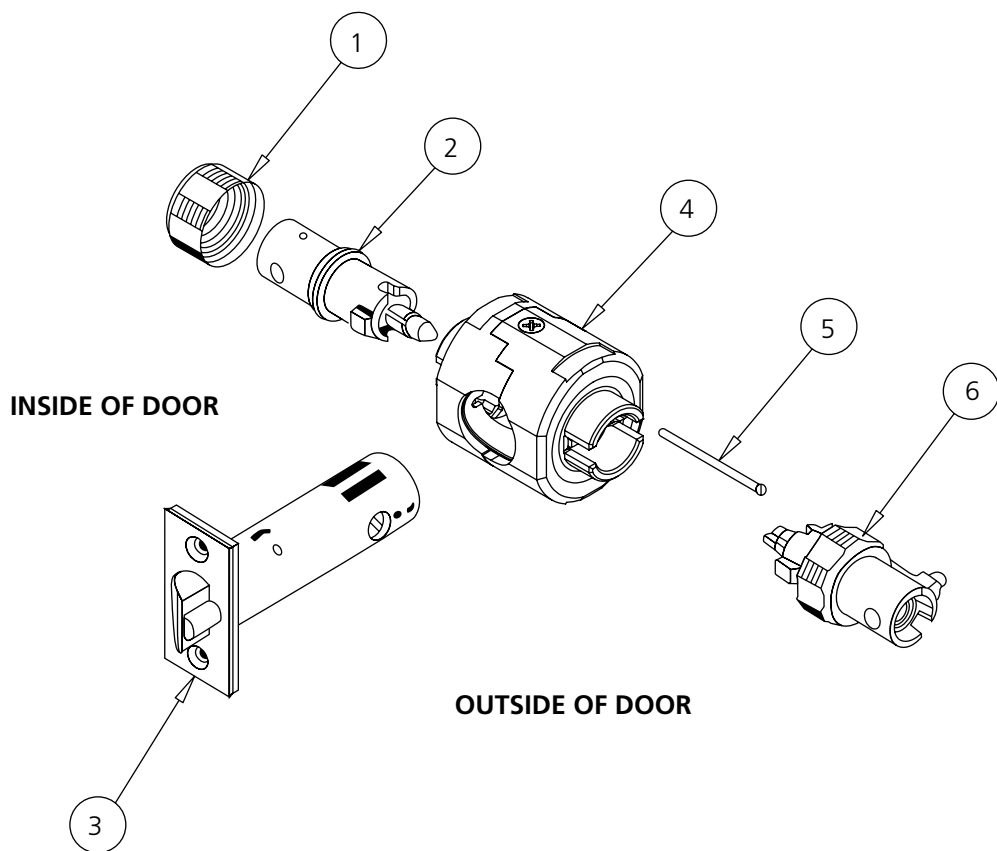
Note: Refer to pages 23-25 for part numbers associated with non-standard doors. For Lever and Rose options, see pages 26-27.



Item	Part Number	Description	Quantity
1	778F888	Inside Collar	1
2	776F848	Inside Sleeve Assembly	1
3	*780F82	Latch Assembly, B	1
4	779F787	Bearing Assembly	1
5	778F868	Aligning Pin	2
6	776F638	Outside Sleeve Assembly	1

* Specify Finish

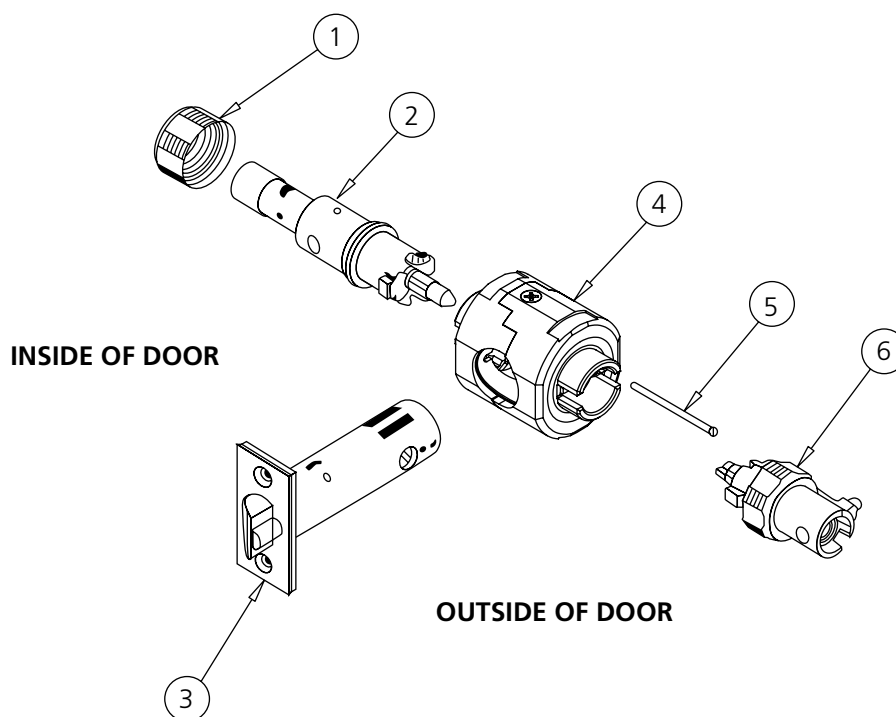
Note: Refer to pages 23-25 for part numbers associated with non-standard doors. For Lever and Rose options, see pages 26-27.



Item	Part Number	Description	Quantity
1	778F888	Inside Collar	1
2	776F042	Inside Sleeve Assembly	1
3	*780F84	Latch Assembly, D	1
4	779F787	Bearing Assembly	1
5	778F868	Aligning Pin	1
6	776F688	Outside Sleeve Assembly	1

* Specify Finish

Note: Refer to pages 23-25 for part numbers associated with non-standard doors. For Lever and Rose options, see pages 26-27.

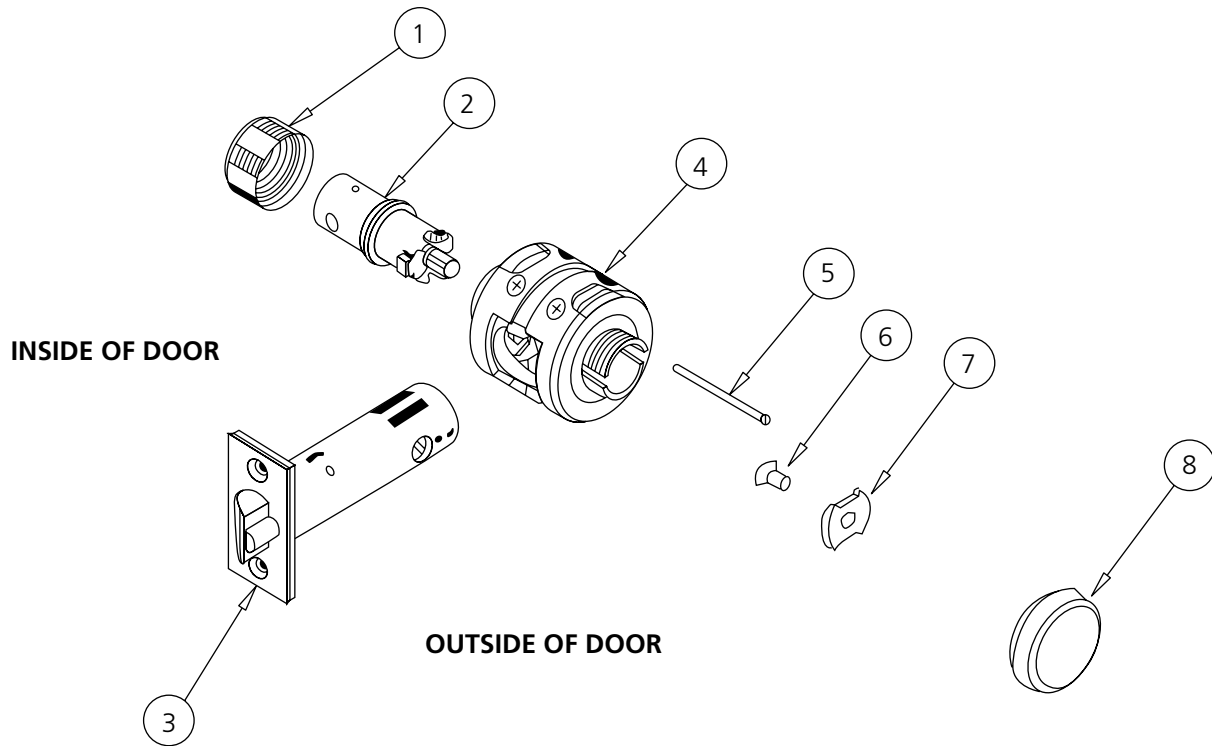


Item	Part Number	Description	Quantity
1	778F888	Inside Collar	1
2	776F708	Inside Sleeve Assembly	1
3	*780F82	Latch Assembly, B	1
4	779F787	Bearing Assembly	1
5	778F868	Aligning Pin	1
6	269F808	Countersunk Flat Head Screw 10-24 x 3/8" (1-3/4" Door)	1
7	778F968	Anchor Plate	1
8	*778F91	Rosette Plug	1

* Specify Finish

** Screws are provided in a packet for the latch and strike (ANSI std) and are not sold separately.

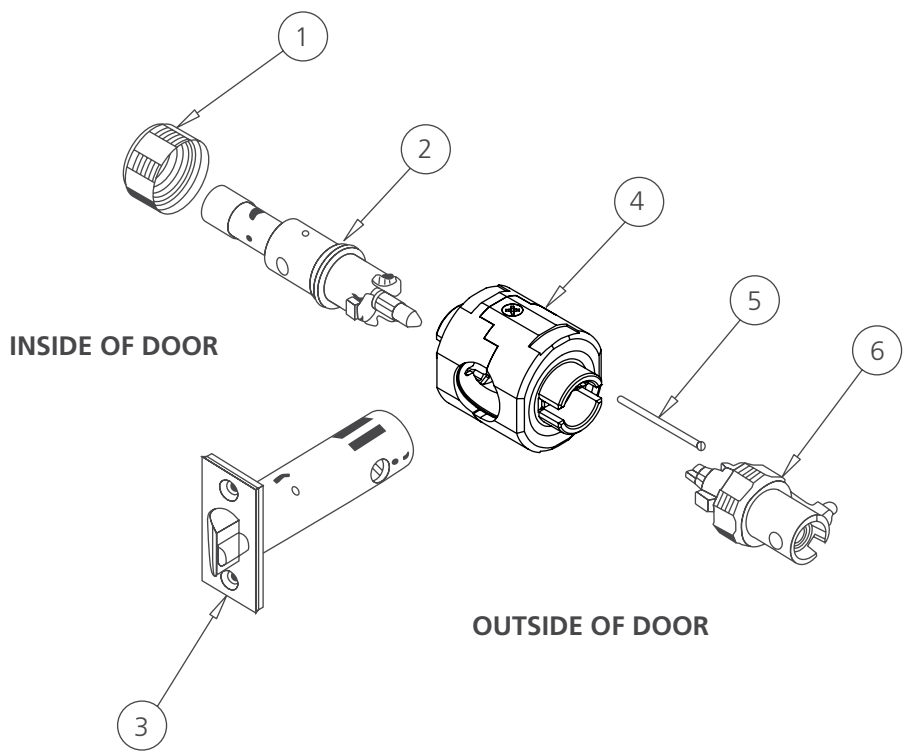
Note: Refer to pages 23-25 for part numbers associated with non-standard doors. For Lever and Rose options, see pages 26-27.

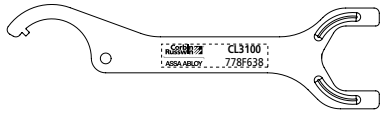


Item	Part Number	Description	Quantity
1	778F888	Inside Collar	1
2	*776F012	Inside Sleeve Assembly	1
3	*780F84	Latch Assembly, D	1
4	779F787	Bearing Assembly	1
5	778F868	Aligning Pin	1
6	776F638	Outside Sleeve Assembly	1

* Specify Finish

Note: Refer to pages 23-25 for part numbers associated with non-standard doors. For Lever and Rose options, see pages 26-27.



<p>Collar/Rosette Installation Wrench</p>	<p>Allen Key Wrench</p>	<p>M111 Screwdriver</p>
		
<p>Part No. 778F638</p>	<p>Part No. 780F638</p>	<p>Part No. 780F208</p>

<p>Screw Packet Containing countersunk flat head combination screw #12 x 15/16", countersunk flat head combination screw #8 x 11/16"</p>	<p>Mounting Kit Packet For CL3150 Half Dummy Trim and CL3170 Full Dummy Trim</p>	<p>Rose Installation Tool</p>
		
<p>Part No. *604F228</p>	<p>Part No. *775F908 - CL3150 775F918 - CL3170</p>	<p>Part No. 753F598</p>

*Specify Finish

Standard Sleeve Assemblies

Part No.	10	20	20H	29	32	40NT	51	52	55	57	61	62	72	75	80	93
775F808											O/S					
*776F002							I/S									
*776F012																I/S
*776F022											I/S					
*776F032				I/S												
*776F042		I/S	I/S											I/S		
776F638							O/S			O/S			O/S			O/S
776F648						O/S										
776F658					O/S											
776F668									O/S			O/S				
776F678				O/S												
776F688								O/S						O/S		
776F698		O/S	O/S													
776F708	I/S- O/S								I/S							I/S
776F848								I/S					I/S			
776F858					I/S											
776F868												I/S				
776F878						I/S				I/S						

D214 Sleeve Assemblies

	Part No.	10	20	20H	29	32	40NT	51	52	55	57	61	62	72	75	80	93
STD	775F848											O/S					
	*776F052							I/S									
	*776F062																I/S
	*776F072											I/S					
	*776F082				I/S												
	*776F092		I/S	I/S											I/S		
	777F638							O/S			O/S			O/S			O/S
	777F648						O/S										
	777F658					O/S											
	777F668									O/S			O/S				
	777F678				O/S												
	777F688									O/S						O/S	
	777F698		O/S	O/S													
	777F708	I/S- O/S									I/S						I/S
	777F848									I/S					I/S		
	777F858					I/S											
	777F868													I/S			
777F878						I/S					I/S						
I/C	775F858											O/S					
	777F718							O/S			O/S			O/S			O/S
	777F728					O/S											
	777F738									O/S			O/S				
	777F748								O/S						O/S		
	777F928								I/S					I/S			
	777F938					I/S											
777F948												I/S					

* Specify Finish
^STD or I/C

Sleeve Assemblies – Interchangeable Core

Part No.	32	51	52	55	57	61	62	72	75	93
775F818						O/S				
776F718		O/S			O/S			O/S		O/S
776F728	O/S									
776F738				O/S			O/S			
776F748			O/S						O/S	
776F918						I/S			I/S	
776F928			I/S					I/S		
776F938	I/S									
776F948							I/S			

Sleeve Assemblies - M16 (3/4" Throw Fire Latch)

Part No.		10	51	55	57	72	80
Standard	779F638		O/S		O/S	O/S	
	779F648			O/S			
	779F658	I/S-O/S		I/S			I/S
	779F728					I/S	
	779F738				I/S		
	779F748		I/S				
Interchangeable Core	779F668		O/S		O/S	O/S	
	779F678			O/S			
	779F758					I/S	

Note: M16 not available with D214 option.

M111 Sleeve Assemblies

	Part No.	29	32	51	52	55	57	61	62	72	75	93
Standard	775F828							O/S				
	776F758			O/S			O/S			O/S		O/S
	776F768		O/S									
	776F778					O/S			O/S			
	776F788	O/S										
	776F798				O/S						O/S	
	776F958				I/S					I/S		
	776F968		I/S									
Interchangeable Core	775F838							O/S				
	776F808			O/S			O/S			O/S		O/S
	776F818		O/S									
	776F828					O/S			O/S			
	776F838				O/S						O/S	
	776F988				I/S					I/S		
	776F998		I/S									
	777F208								I/S			

M111 Sleeve Assemblies - D214

	Part No.	29	32	51	52	55	57	61	62	72	75	93
Standard	775F868							O/S				
	777F758			O/S			O/S			O/S		O/S
	777F768		O/S									
	777F778					O/S			O/S			
	777F788	O/S										
	777F798				O/S						O/S	
	777F958				I/S					I/S		
	777F968		I/S									
Interchangeable Core	775F878							O/S				
	777F808			O/S			O/S			O/S		O/S
	777F818		O/S									
	777F828					O/S			O/S			
	777F838				O/S						O/S	
	777F988				I/S					I/S		
	777F998		I/S									
	778F208								I/S			

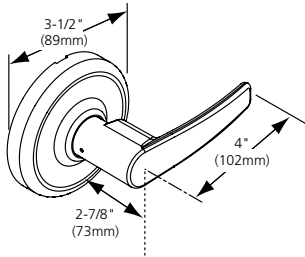
Standard*	Code	Lock Function															
		10	20	20H	29	32	40NT	51	52	55	57	61	62	72	75	80	93
780F81	A	x															
780F82	B					x	x	x	x	x	x		x	x		x	
780F83	C		x	x													
780F84	D				x										x		x
780F85	K											x					
3-3/4" Backset*																	
780F86	A	x															
780F87	B					x	x	x	x	x	x		x	x		x	
780F88	C		x	x													
780F89	D				x										x		x
780F90	K											x					
5" Backset*																	
780F91	A	x															
780F92	B					x	x	x	x	x	x		x	x		x	
780F93	C		x	x													
780F94	D				x										x		x
780F95	K											x					
M16 3/4" Throw Fire Latch*																	
780F96		x							x		x	x			x		x

Note: Code letter stamped on inside corner of latch front identifies function(s) compatible with the latch assembly.
 *Specify Finish

Armstrong



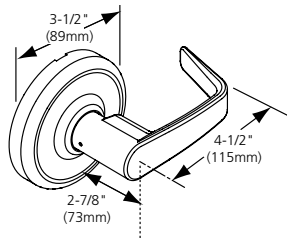
Lever: Die cast zinc
Rose: Brass



Newport



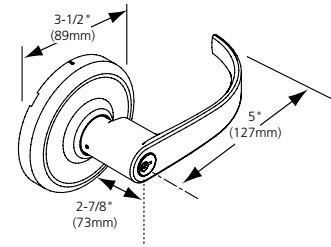
Lever: Die cast zinc
Rose: Brass



Princeton



Lever: Die cast zinc
Rose: Brass



Note: Images shown with D Rose. Other rose assemblies available on page 27.

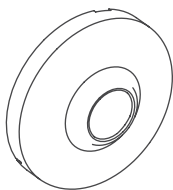
Standard Levers

Application	Armstrong	Newport	Princeton
Plain	776F215	790F215	778F215
Cylinder or Turn/Push Button	776F225	790F225	778F225
Emergency Key Hole	776F235	790F235	778F235
Intruder	776F245	790F245	778F245
Sargent® Fixed Core Cylinder - 6 Pin	776F335	790F335	778F335
Sargent Fixed Core Cylinder - 6 Pin - Intruder	776F345	790F345	778F345
Corbin Russwin Large Format Interchangeable Core (LFIC) - 6 Pin	776F395	790F395	778F395
Corbin Russwin Large Format Interchangeable Core (LFIC) - 6 Pin Intruder	776F405	790F405	778F405
Corbin Russwin Large Format Interchangeable Core (LFIC) - 7 Pin	776F415	790F415	778F415
Corbin Russwin Large Format Interchangeable Core (LFIC) - 7 Pin Intruder	776F425	790F425	778F425
Small Format Interchangeable Core (SFIC) - 6 or 7 Pin	776F515	790F515	778F515
Small Format Interchangeable Core (SFIC) - 6 or 7 Pin Intruder	776F525	790F525	778F525
Schlage® Large Format Interchangeable Core (LFIC) - 6 Pin	776F575	790F575	778F575
Schlage® Large Format Interchangeable Core (LFIC) - 6 Pin Intruder	776F585	790F585	778F585
Yale® Fixed Core Cylinder - 6 or 7 Pin	N/A	790F225	778F225
Yale® Fixed Core Cylinder - 6 or 7 Pin Intruder	N/A	790F245	778F245
Yale® Large Format Interchangeable Core (LFIC) - 6 Pin	N/A	774F925	774F965
Yale® Large Format Interchangeable Core (LFIC) - 6 Pin Intruder	N/A	798F295	798F395
Yale® Large Format Interchangeable Core (LFIC) - 7 Pin	N/A	774F945	774F985
Yale® Large Format Interchangeable Core (LFIC) - 7 Pin Intruder	N/A	798F305	798F405

M111 Levers (Security)

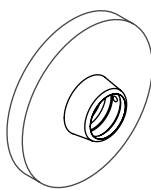
Application	Armstrong	Newport	Princeton
Cylinder or Turn/Push Button	777F225	780F225	779F225
Intruder	777F245	780F245	779F245
Sargent® Fixed Core Cylinder - 6 Pin	777F335	780F335	779F335
Sargent Fixed Core Cylinder - 6 Pin - Intruder	777F345	780F345	779F345
Corbin Russwin Large Format Interchangeable Core (LFIC) - 6 Pin	777F395	780F395	779F395
Corbin Russwin Large Format Interchangeable Core (LFIC) - 6 Pin Intruder	777F405	780F405	779F405
Corbin Russwin Large Format Interchangeable Core (LFIC) - 7 Pin	777F415	780F415	779F415
Corbin Russwin Large Format Interchangeable Core (LFIC) - 7 Pin Intruder	777F425	780F425	779F425
Small Format Interchangeable Core (SFIC) - 6 or 7 Pin	777F515	780F515	779F515
Small Format Interchangeable Core (SFIC) - 6 or 7 Pin Intruder	777F525	780F525	779F525
Schlage® Large Format Interchangeable Core (LFIC) - 6 Pin	777F575	780F575	779F575
Schlage® Large Format Interchangeable Core (LFIC) - 6 Pin Intruder	777F585	780F585	779F585

D Rose (standard)
3-1/2" Dia.
Brass



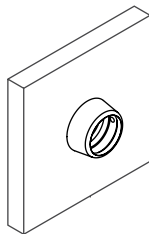
678F252* - Rose Assembly

C Rose
2-3/4" Dia.
Brass



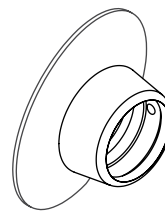
779F97* - Rose Assembly
778F90* - Rosette

E Rose
3-1/8" Sq.
Brass



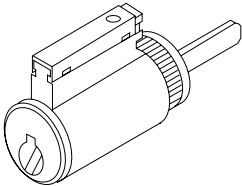
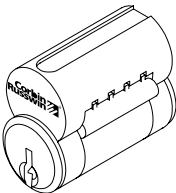
779F98* - Rose Assembly
778F90* - Rosette

K Rose
2-3/4" Dia.
Brass



779F99* - Rose Assembly
778F90* - Rosette

* Specify Finish

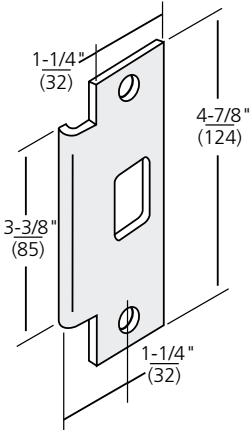
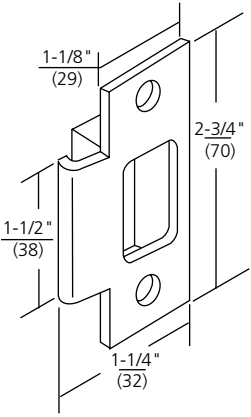
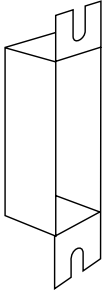
	
Access 3® - .510" plug diameter Pyramid - .496" plug diameter Conventional - .509" plug diameter Security - .552" plug diameter Brass, 6-pin 2 nickel silver keys Finishes: 606, 626	Access 3® - .510" plug diameter Pyramid - .496" plug diameter Conventional - .509" plug diameter Security - .552" plug diameter Brass, 6-pin 2 nickel silver keys Finishes: 605, 606, 611, 612, 613, 613E, 613L, 618, 619, 625, 626, 722

Security Type	Pins	Standard Cylinder	Interchangeable Core
Conventional	6-Pin	2000-031 (standard)	8000
	7-Pin	2000-031-7	8000-7
Hotel	6-Pin	2001-031	8001-031
	7-Pin	2001-031-7	8001-031-7
Security	6-Pin	2010-031	8010
Pyramid - High Security	7-Pin	2020-031	8020
Pyramid - Security	7-Pin	2027-031	8027
Access 3 - Patented (AP)	6-Pin	2500-031	8500
Access 3 - Security (AS)	6-Pin	2600-031	8600
Access 3 - High Security (AHS)	6-Pin	2700-031	8700
Access 3 - AP (Hotel Function)	6-Pin	2501-031	N/A
Access 3 - AS (Hotel Function)	6-Pin	2601-031	N/A
Access 3 - AHS (Hotel Function)	6-Pin	2701-031	N/A
Schlage® C Keyway (0-Bitted)	6-Pin	2400-031-C	NA
Sargent® LA Keyway (0-Bitted)	6-Pin	2400-031-LA	NA
Schlage® C Keyway (Keyed Random)	6-Pin	2400-031-C-KR	NA

To order cylinders separately, specify Part No. x Keyway x Finish (e.g., 2000-031 x L4 x 626).

Compatibility with Competitive Cylinders/Cores				
Manufacturer	Cylinder Type	Tailpiece Kit	Option Code with Lock	Description
All	SFIC	780F658	M08	For all SFIC 6 and 7 pin cores. Option code with lock includes special lever, spacers and tailpiece.
Sargent	Fixed Core	775F948	M09	For Sargent 6 pin cylinders (13-4145). Option code with lock includes special lever and tailpiece.
Schlage®	Fixed Core	778F788	M06	For Schlage 6 pin conventional cylinders (21-002, 23-001 or 23-013) or Schlage Primus cylinders (20-548, 20-550, 20-748 or 20-750). Option code with lock includes tailpiece.
Schlage®	LFIC	631F228	M69	For Schlage 6 pin large format interchangeable cores. Option code with lock includes special lever, retaining ring and tailpiece.
Yale®	Fixed Core	778F759 (spacer)	YC	For Yale 6 pin fixed core cylinders 1803-54L, 5803-54L and K403-54L. Option code with lock includes spacer.
Yale®	Fixed Core	N/A	YC7	For Yale 7 pin fixed core cylinders 1803A-54L, 5803A-54L and K403A-54L.
Yale®	LFIC	774F878	YRC	For Yale 6 pin LFIC 1210, 5210, K800-6. Option code with lock includes tailpiece.
Yale®	LFIC	774F888	YRC7	For Yale 7 pin LFIC 1220, 5220, K800-7. Option code with lock includes tailpiece.

Miscellaneous		
Item	Part Number	Description
Corbin Russwin LFIC Tailpiece Kit	780F648	Kit includes driver, spacer, and security disc for LFIC 6 & 7 pin.

	
<p>ANSI Curved Lip (standard) Brass or stainless steel 4-7/8" (124mm) x 1-1/4" (32mm) x 1-1/4" (32mm) lip to center. Optional lip lengths: 1" (25mm), 1-1/8" (29mm), 1-3/8" (35mm), 1-1/2" (38mm), 1-3/4" (44mm), 2" (51mm), 2-1/4" (57mm), 2-1/2" (63mm), 2-3/4" (70mm), 3" (76mm).</p> <p>To order, specify 217L13 x Lip Length x Finish.</p> <p style="text-align: center;">Part No. 217L13</p>	<p>Curved Lip "T" Strike (optional) Brass 2-3/4" (70mm) x 1-1/8" (29mm) x 1-1/4" (32mm) lip to center. Optional lip lengths: 1" (25mm), 1-1/8" (29mm), 1-3/8" (35mm), 1-1/2" (38mm), 1-3/4" (44mm), 2" (51mm), 2-1/4" (57mm), 2-1/2" (64mm), 2-3/4" (70mm), 3" (76mm).</p> <p>To order, specify 586L19 x Lip Length x Finish.</p> <p style="text-align: center;">Part No. 586L19</p>
	
<p>ANSI Wrought Strike Box To order, specify 120F768.</p> <p style="text-align: center;">Part No. 120F768</p>	

ASSA ABLOY is the global leader in door opening solutions, dedicated to satisfying end-user needs for security, safety and convenience



ASSA ABLOY

In U.S.

Corbin Russwin
Architectural Hardware
225 Episcopal Road
Berlin, CT 06037
Phone: 800-543-3658
Fax: 800-447-6714
corbinrusswin.com

In Canada

ASSA ABLOY Door
Security Solutions Canada
160 Four Valley Drive
Vaughan, Ontario
Canada L4K 4T9
Phone: 800-461-3007
Fax: 905-738-2478
www.assaabloy.ca

For more information regarding Corbin Russwin Locksets, Exit Devices, Door Controls and Key Systems, contact your authorized Corbin Russwin Distributor or Sales Representative.