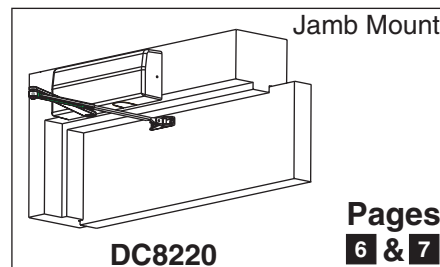
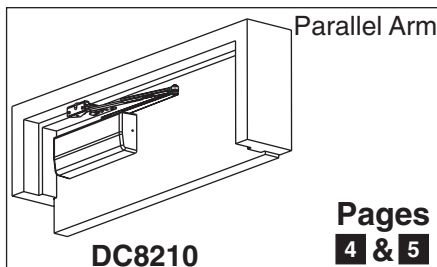
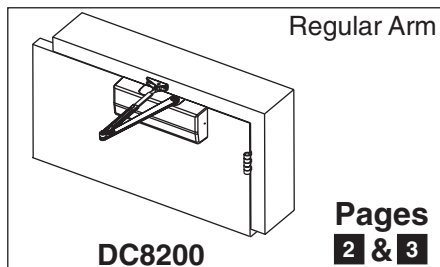


## ASSA ABLOY

### DC8200 Series

Multi-Sized 1 thru 6

Universal Door Closers  
Tri-Pack Standard as DC8210



### IMPORTANT:

- An improperly installed or incorrectly adjusted door closer may cause **property damage** or **personal injury**; and will void product warranty.
- To avoid personal injury, **DO NOT DISASSEMBLE THIS DOOR CLOSER BODY.**
- Door closers must be securely fastened to a properly reinforced door and frame with fasteners provided.
- Door closers with the "A1" HOLD OPEN ARM option are not permitted to be installed in fire door assemblies.

### BEFORE INSTALLING:

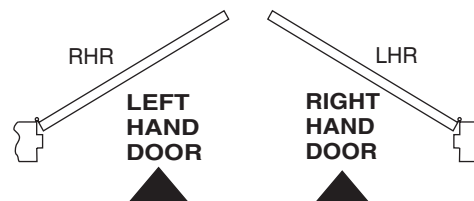


- The Americans with Disabilities Act (ADA) requires that doors having door closers have an opening force not to exceed 5 lbf. Use standard templating for regular arm and parallel arm applications. Jamb mounted applications use the template for 140° door opening to achieve the required opening force.
- The door closer's power size adjustment feature may require adjustment to its lowest setting to comply with ADA opening force guidelines.
- An auxiliary door stop, by others, is strongly recommended to avoid damage to the door closer and adjacent property.
- Doors should be hung on ball bearing or anti-friction hinges/pivots.
- Door closer must not be installed on the exterior of a door in an exterior wall of a building.
- ADA compliant closers are: DC8200, DC8210, DC8220,

### Size of Door & Door Closer

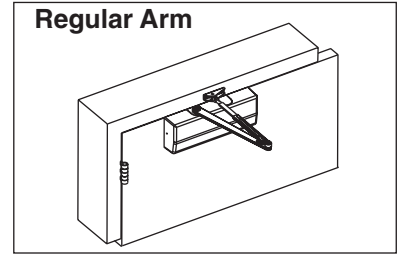
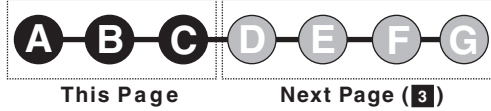
Type of Installation	Interior	Exterior In-swinging	Exterior Out-swinging	Recommended Closer Size	**Max. Opening Force lbs/f
Regular & Top Jamb	2'4"	_____	_____	1	8
	3'0"	_____	_____	2	14
	3'6"	2'6"	3'0"	3	16
	4'0"	3'0"	3'6"	4	22
	4'6"	3'6"	4'0"	5	24
	5'0"	4'0"	4'6"	6	26
Parallel Arm	2'4"	_____	_____	1	8
	2'6"	_____	_____	2	14
	3'0"	_____	2'6"	3	16
	3'6"	_____	3'0"	4	22
	4'0"	_____	3'6"	5	24
	4'6"	_____	4'0"	6	26

### TO DETERMINE HAND OF YOUR DOOR:



\*\*NOTE: These forces are for standard templating with bearing type hinges and do not account for pressure differentials and draft.

# DC8200 Regular Arm Installation Instructions

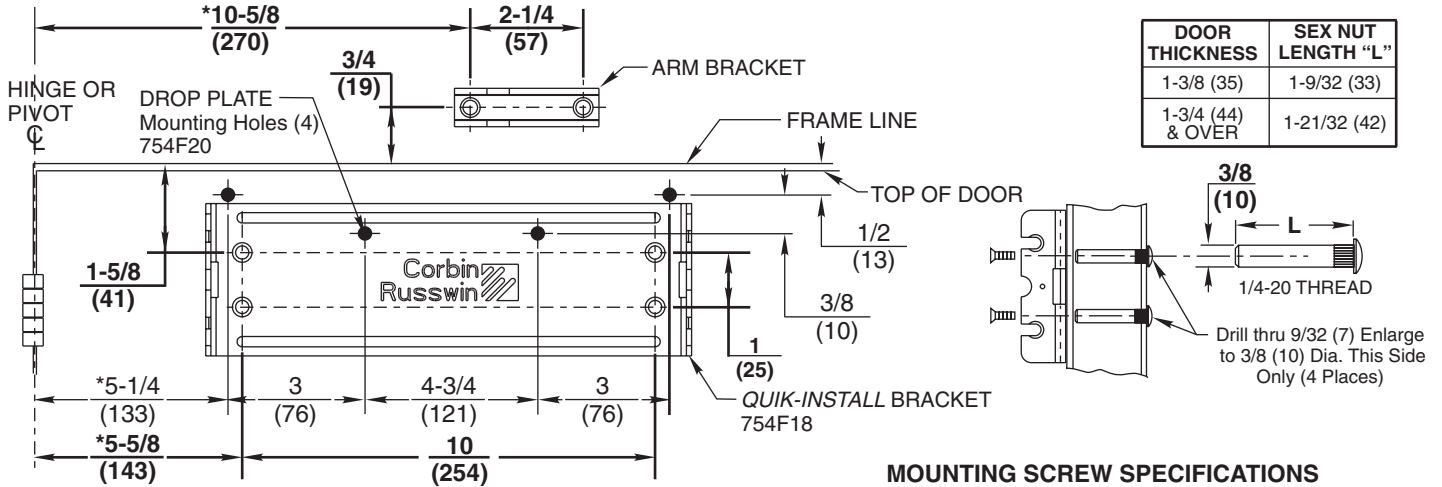


## A Template

Mark Door and Jamb (for QUIK-INSTALL® bracket and arm bracket)

If top rail is 3" (76) or greater, use the template for the *QUIK-INSTALL BRACKET* provided.

If top rail is 1-3/4" (45) to 2-15/16" (75), use DROP PLATE (754F20) DIMENSIONS denoted by †.



\* To obtain extra closing force add 3" (76) to dimensions marked. This will limit degree of door opening to 110°.

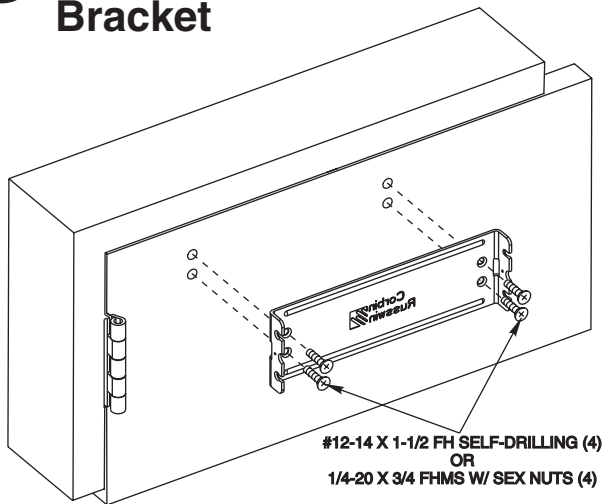
### NOTES:

- Check hand of door, see page 1.
- Right Hand Application Shown. Left Hand Opposite.
- Dimensions given in inches (mm). Do Not Scale Drawing.
- Closer must be installed in a true horizontal plane to ensure proper closer performance.
- Door opening (up to 180°) is dependent upon door, frame, wall and hinge/pivot conditions permitting.
- Minimum clearance required over door:
  - Non-Hold Open: 1-1/2 (39)
  - Hold Open: 1-11/16 (43)

### MOUNTING SCREW SPECIFICATIONS

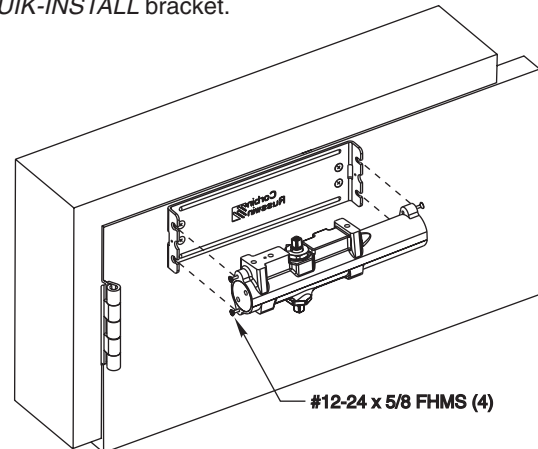
ARM AND CLOSER BRACKET  
 #12-14 self-drilling screw.  
 1/8 (3) diameter pilot hole  
 required for Wood  
 Applications. } or { Sex nuts, furnished  
 when ordered

## B Mount QUIK-INSTALL Bracket

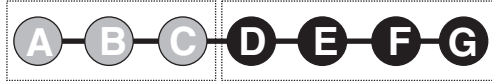


## C Mount Closer Body to QUIK-INSTALL Bracket

- Start the four mounting screws into the four closer mounting holes.
- Place the closer onto the *QUIK-INSTALL* bracket with the four mounting screws inserted into the four *QUIK-INSTALL* bracket slots.
- Tighten the four mounting screws to fasten the closer body to the *QUIK-INSTALL* bracket.



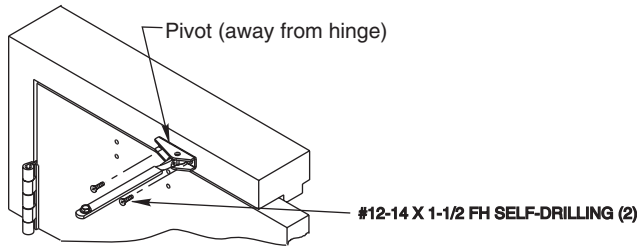
# DC8200 Regular Arm Installation Instructions



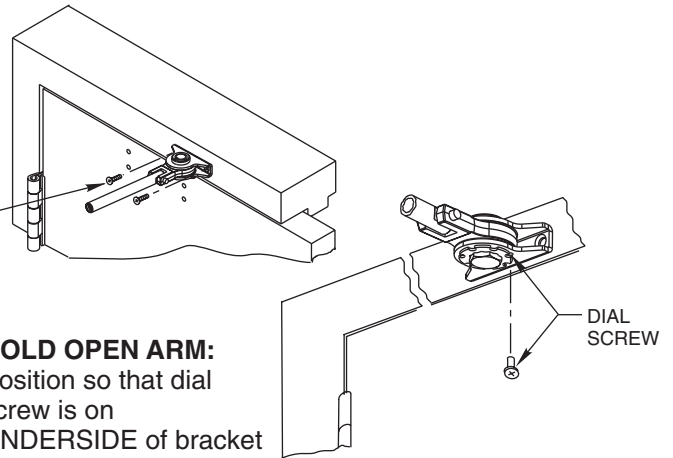
Previous Page (2)

This Page

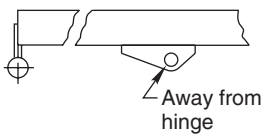
## D Attach Arm Bracket to Frame NON-HOLD OPEN ARM ONLY:



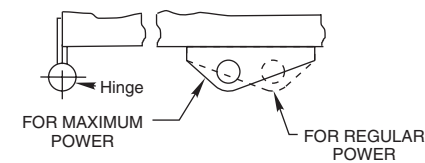
## HOLD OPEN ARM (A1 OPTION ONLY):



**Standard Position**  
Normal mounting position.  
Position with pivot point  
away from hinge.



**For Additional 15% Closing Force**  
Reposition arm mounting bracket so that  
pivot point is toward hinge.

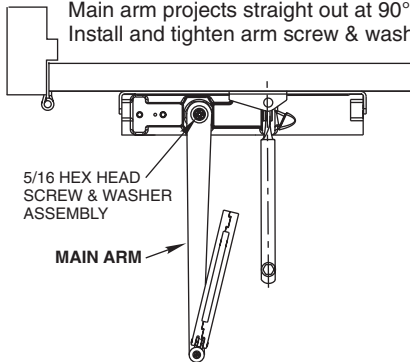


**HOLD OPEN ARM:**  
Position so that dial  
screw is on  
**UNDERSIDE** of bracket

## E Position Arm on Closer

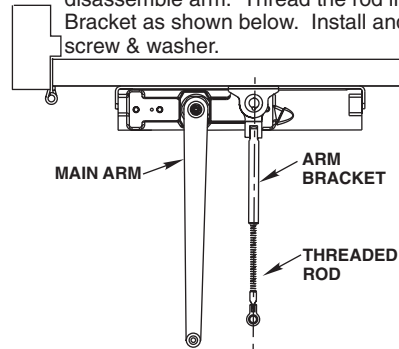
### NON-HOLD OPEN ARM ONLY:

Main arm projects straight out at 90° angle to door.  
Install and tighten arm screw & washer assembly.



### HOLD OPEN ARM ONLY:

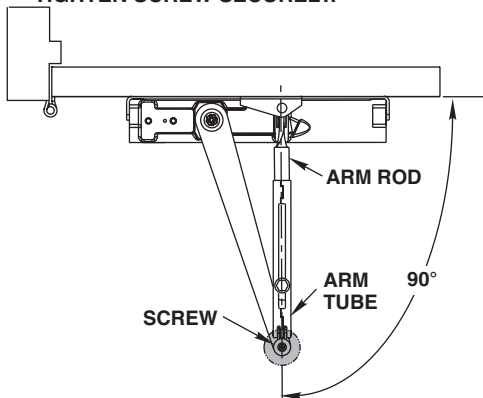
Main arm projects straight out at 90° angle to door.  
Remove arm screw and washer from elbow joint and  
disassemble arm. Thread the rod into the Arm  
Bracket as shown below. Install and tighten arm  
screw & washer.



## F Preload and Adjust Arm

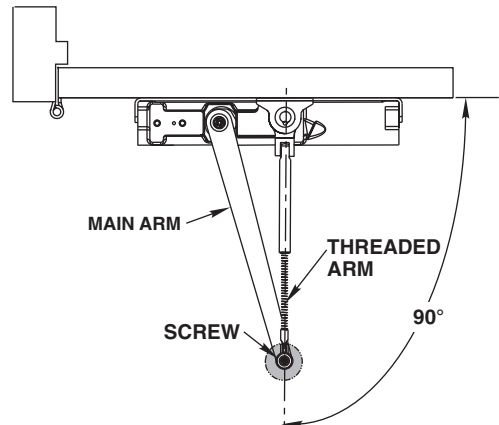
### NON-HOLD OPEN ARM ONLY:

Open door and slide arm rod into arm loop. Close door, swing arms  
so adjusting arm is 90° to frame. With 7/16" wrench **INSTALL and  
TIGHTEN SCREW SECURELY.**



### HOLD OPEN ARM ONLY:

While door is closed, adjust the Threaded Arm in the Arm Bracket  
until the bearing fits back onto the elbow joint on the Main Arm at 90°  
as shown below. **RE-INSTALL AND TIGHTEN SCREW SECURELY.**



**Extended Maintenance**  
Lubricate Arm periodically at  
shaded points with a drop or  
two of appropriate lubricant.  
**NOTE:** When lubricating a  
Hold Open Arm, **DO NOT**  
use any lubricant on the  
Holding Surface components.



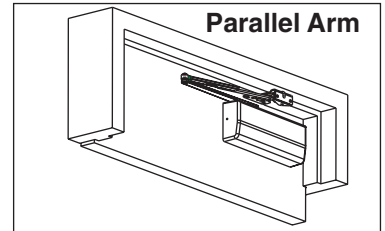
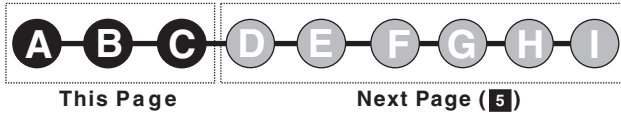
ASSA ABLOY

80-9380-8000-152 Rev. 07/09

## G Adjust Door Closer: See Page 8

ASSA ABLOY, the global leader in door opening solutions

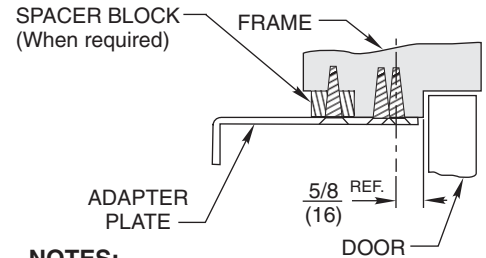
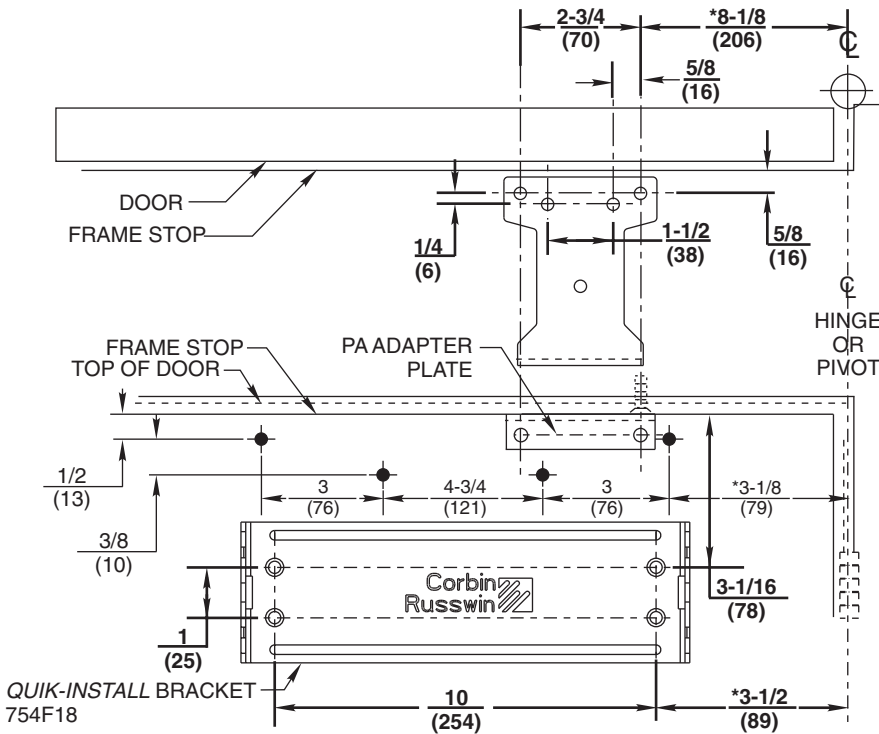
# DC8210 Parallel Arm Installation Instructions



## A Template

Mark Door and Jamb (for QUIK-INSTALL® and adapter plate)

If top rail is 5-1/4 (133) or greater, use the template for the *QUIK-INSTALL BRACKET* provided.  
If top rail is 1-3/4 (44) to 5-1/8 (130), use *DROP PLATE (754F25) DIMENSIONS* denoted by †.



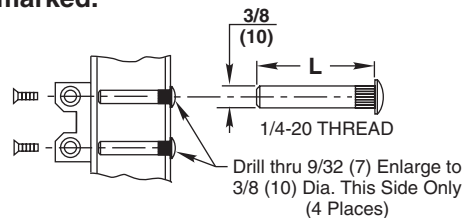
### NOTES:

- Check hand of door, see page 1
- Right Hand Application Shown. Left Hand Opposite.
- Dimensions given in inches (mm). Do Not Scale Drawing.
- Closer must be installed in a true horizontal plane to ensure proper closer performance.
- Door opening (up to 180°) is dependent upon door, frame, wall and hinge/pivot conditions permitting.

\* To obtain extra closing force add 3 (77) to dimensions marked. This will limit degree of door opening to 110°.

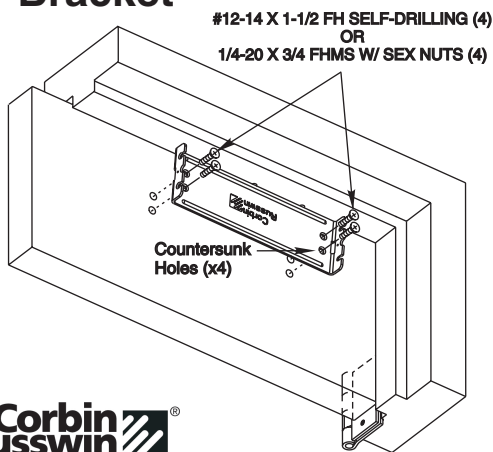
### MOUNTING SCREW SPECIFICATIONS

ARM AND CLOSER BRACKET  
#12-14 self-drilling screw.  
1/8 (3) diameter pilot hole required for Wood Applications. } or { Sex nuts, furnished when ordered



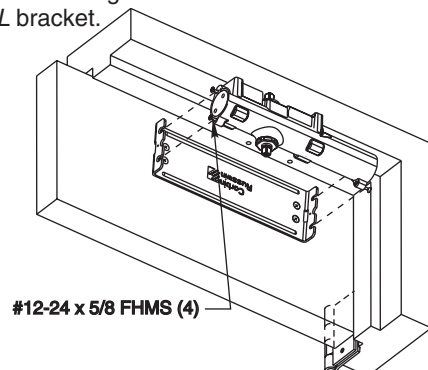
DOOR THICKNESS	SEX NUT LENGTH "L"
1-3/8 (35)	1-9/32 (33)
1-3/4 (44) & OVER	1-21/32 (42)

## B Mount QUIK-INSTALL Bracket



## C Mount Closer Body to QUIK-INSTALL Bracket

- Start the four mounting screws into the four closer mounting holes.
- Place the closer onto the *QUIK-INSTALL* bracket with the four mounting screws inserted into the four *QUIK-INSTALL* bracket slots.
- Tighten the four mounting screws to fasten the closer body to the *QUIK-INSTALL* bracket.



**Corbin Russwin**  
**ASSA ABLOY**

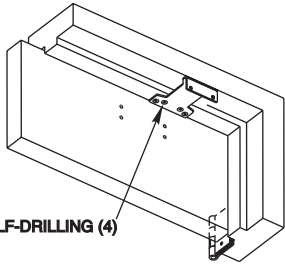
# DC8210 Parallel Arm Installation Instructions



Previous Page (4)

This Page

## D Mount Adapter Plate Bracket on Jamb

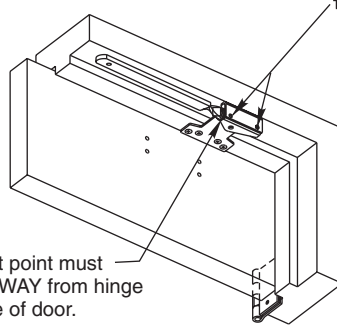


#12-14 X 1-1/2 FH SELF-DRILLING (4)

Using holes spotted on soffit or stop in Step A mount adapter plate bracket.

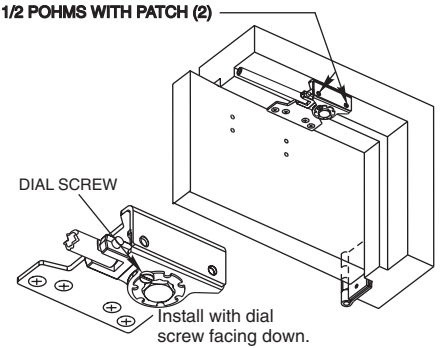
## E Mount Arm Bracket

NON-HOLD OPEN ARM:



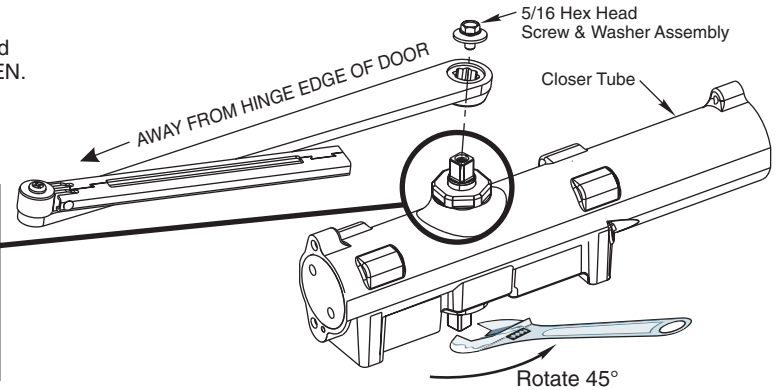
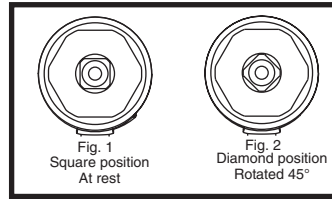
Pivot point must be AWAY from hinge edge of door.

HOLD OPEN ARM ONLY (A1 Option)



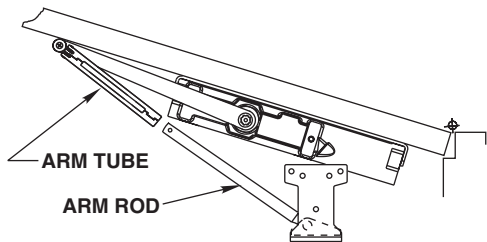
## F Position Arm onto Closer

Using hex wrench provided, turn closing speed and latching speed valves clockwise until completely closed. DO NOT OVER TIGHTEN. Using wrench, turn under side of spindle 45° toward the closer tube until it reaches the diamond position (fig. 2). Immediately place arm on spindle so that it is parallel to the closer body. Install and tighten arm screw and washer assembly. Reopen valves.



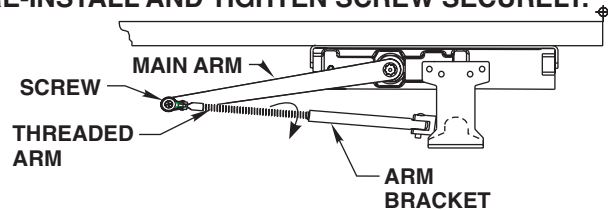
## G Connect and Position Arms

Open door and slide arm rod into arm loop. Close door, swing arms so that they form a "V" position, as in Step 8. With 7/16" wrench, **INSTALL AND TIGHTEN SCREW SECURELY.**



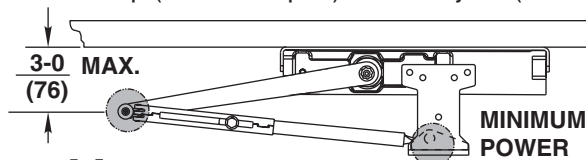
**HOLD OPEN ONLY**

Remove main arm screw from elbow joint and disassemble arm. Thread the rod into the Arm Bracket as shown below. While door is closed, adjust the Threaded Arm in the Arm Bracket until the bearing fits back onto the elbow joint on the Main Arm and forms a "V" as shown below. **RE-INSTALL AND TIGHTEN SCREW SECURELY.**



## H Power Adjustment

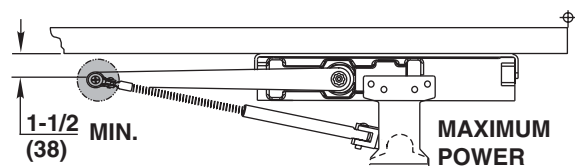
To increase the power of the closer, re-adjust the arm so it is nearer the door. To decrease power, re-adjust the arm so it is farther away from the door and then secure screw in arm loop (non-hold open) or elbow joint (hold open).



### Extended Maintenance

Lubricate Arm periodically at shaded points with a drop or two of appropriate lubricant.

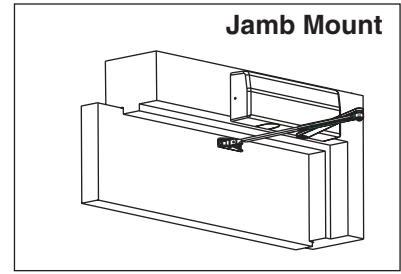
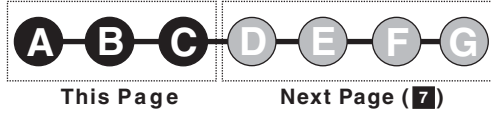
**NOTE:** When lubricating a Hold Open Arm, **DO NOT** use any lubricant on the Holding Surface components.



**Corbin  
Russwin**  
**ASSA ABLOY**

## I Adjust Door Closer: See Page 8

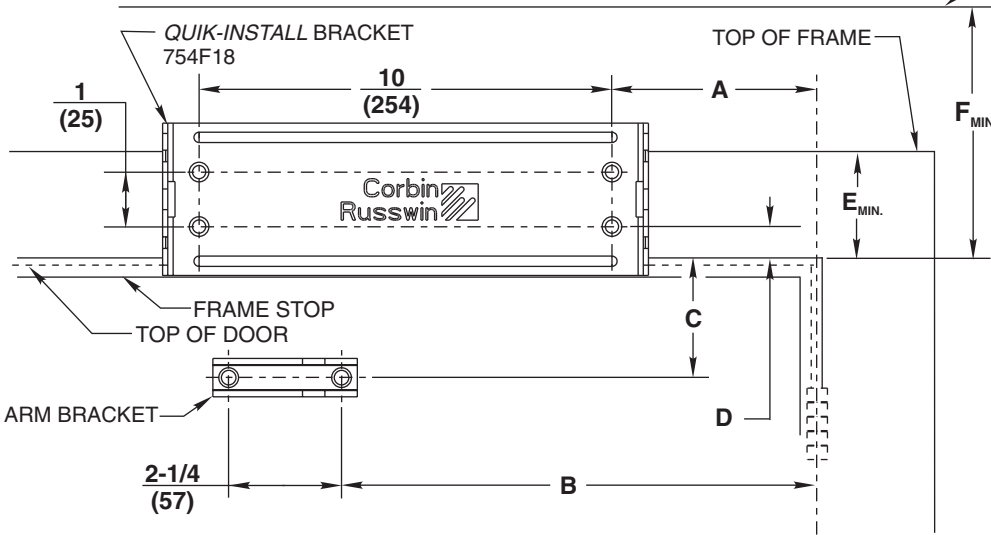
# DC8220 Jamb Mount Installation Instructions



## A Template

Mark Door and Jamb (for QUIK-INSTALL® bracket and adapter plate) use dimensions in template below.

**DO NOT USE THIS TEMPLATE WITH A DROP PLATE (754F24). Use the template addendum (80-9380-8009-152) included with 754F24 Drop Plate orders.**



OPENING MAXIMUM	A	B	HINGE CONDITION
110°	6-7/8 (175)	14 (356)	Butts, Offset Pivots, and Swing Clear Hinges
140°	5-1/8 (130)	12-1/2 (318)	
180°	3-3/8 (86)	10-1/2 (267)	
140°	5-1/8 (130)	12-3/8 (314)	* CENTER HUNG

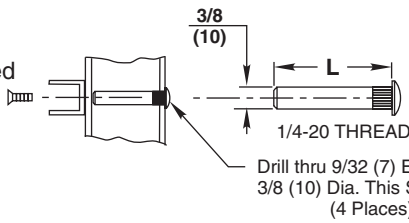
Dimensions "A" and "B" are taken from centerline of hinge as shown and apply to pivot point of swing clear hinges. Offset and center hung pivots.  
\*Must be single acting door.

HEADER WIDTH	C	D	E	F
STANDARD	1-1/2 (38)	3/4 (19)	2-3/8 (60)	4 (102)
NARROW	1-7/8 (48)	3/8 (10)	1-3/4 (45)	3-1/2 (89)

DOOR THICKNESS	SEX NUT LENGTH "L"
1-3/4 (35)	1-9/32 (33)
1-3/4 (44) & OVER	1-21/32 (42)

### MOUNTING SCREW SPECIFICATIONS

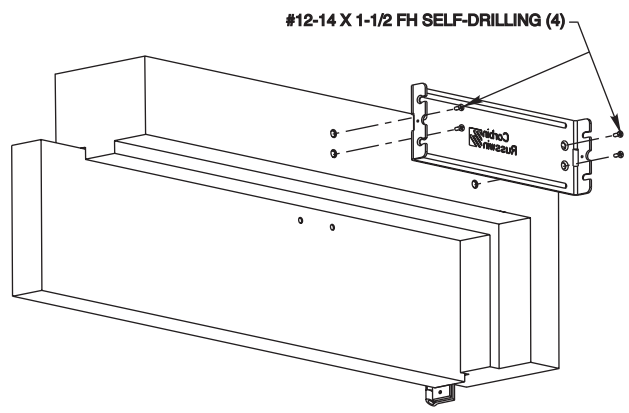
ARM AND CLOSER BRACKET  
#12-14 self-drilling screw, 1/8 (3) diameter pilot hole required for Wood Applications. } or { Sex nuts, furnished when ordered



### NOTES:

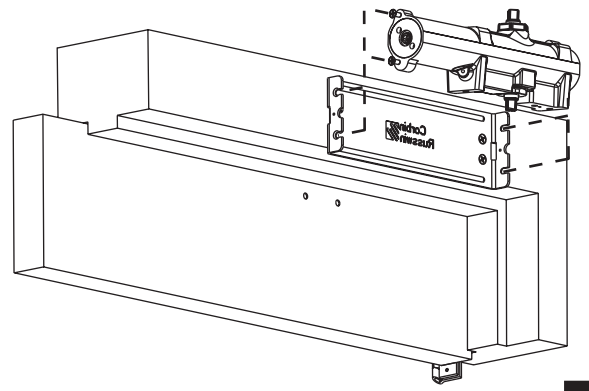
- Check hand of door, see page 1.
- Right Hand Application Shown. Left Hand Opposite.
- Dimensions given in inches (mm). Do Not Scale Drawing.
- Closer must be installed in a true horizontal plane to ensure proper closer performance.
- All degrees of door opening are dependent upon door, frame, wall and hinge/pivot conditions permitting.

## B Mount QUIK-INSTALL Bracket to Jamb

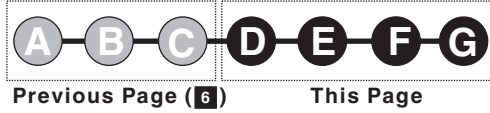


## C Mount Closer Body to QUIK-INSTALL Bracket

- Start the four mounting screws into the four closer mounting holes.
- Place the closer onto the QUIK-INSTALL bracket with the four mounting screws inserted into the four QUIK-INSTALL bracket slots.
- Tighten the four mounting screws to fasten the closer body to the QUIK-INSTALL bracket.

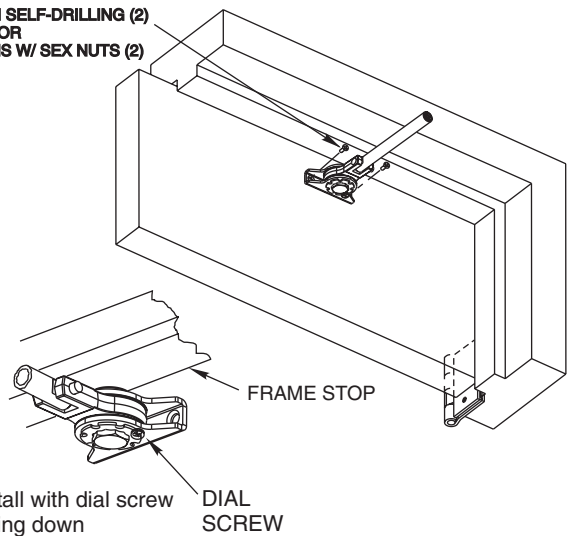
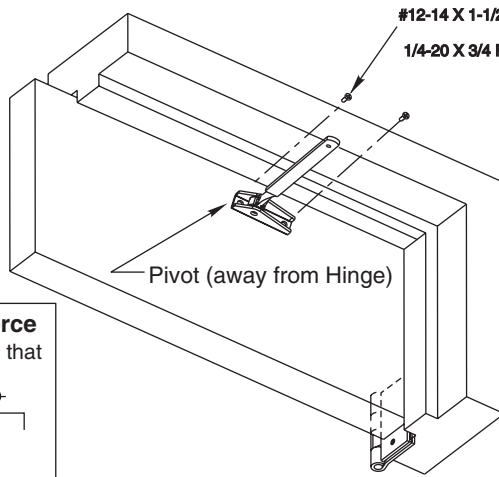
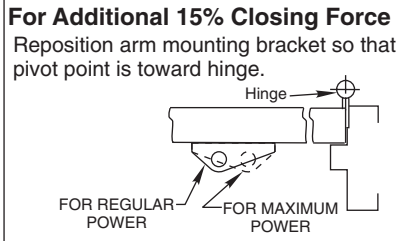
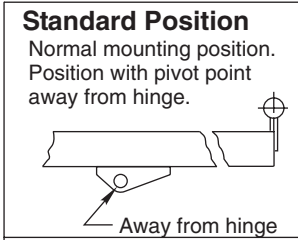


# DC8200 Jamb Mount Installation Instructions



## D Attach Arm Bracket to Door NON-HOLD OPEN ARM ONLY:

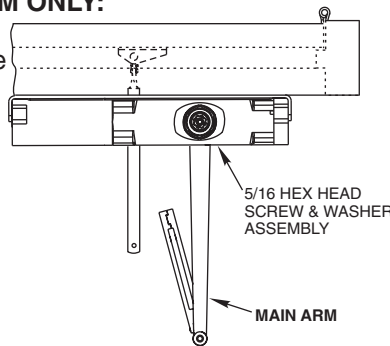
### HOLD OPEN ARM (A1 Option):



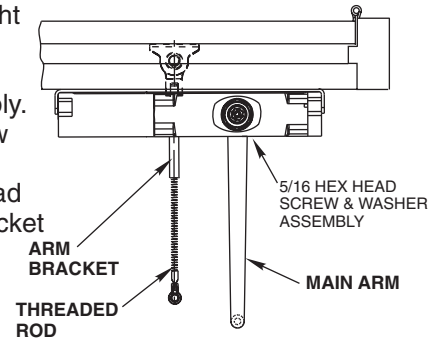
## E Position Arm on Closer NON-HOLD OPEN ARM ONLY:

### HOLD OPEN ARM ONLY (A1 Option):

Main arm projects straight out at 90° angle to door. Install and tighten arm screw & washer assembly.



Main arm projects straight out at 90° angle to door. Install and tighten arm screw & washer assembly. Remove main arm screw from elbow joint and disassemble arm. Thread the rod into the Arm Bracket as shown below.

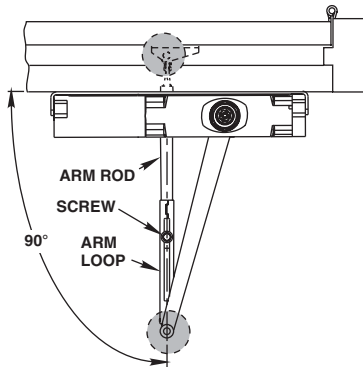


## F Preload and Adjust Arm NON-HOLD OPEN ARM ONLY:

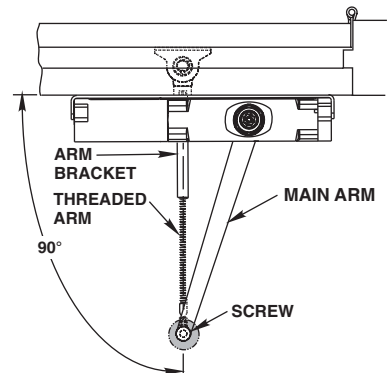
### HOLD OPEN ARM ONLY (A1 Option):

Open door and slide arm rod into arm loop. Close door, swing arms so adjusting arm is 90° to frame. With 7/16" wrench, **INSTALL and TIGHTEN SCREW SECURELY.**

While door is closed, adjust the Threaded Arm in the Arm Bracket until the bearing fits back onto the elbow joint on the Main Arm at 90° as shown below. **RE-INSTALL and TIGHTEN SCREW SECURELY.**



**Extended Maintenance**  
Lubricate Arm periodically at shaded points with a drop or two of appropriate lubricant. **NOTE:** When lubricating a Hold Open Arm, **DO NOT** use any lubricant on the Holding Surface components.



# DC8000 Installation Instructions - Closer Adjustment

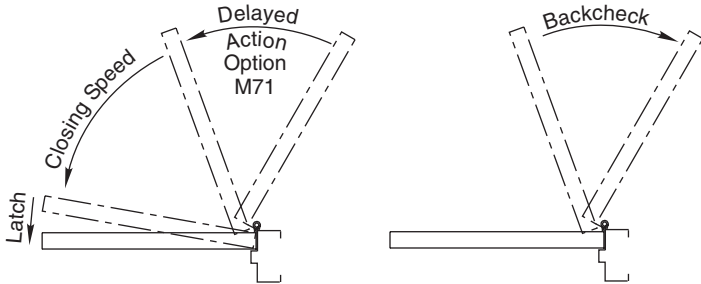
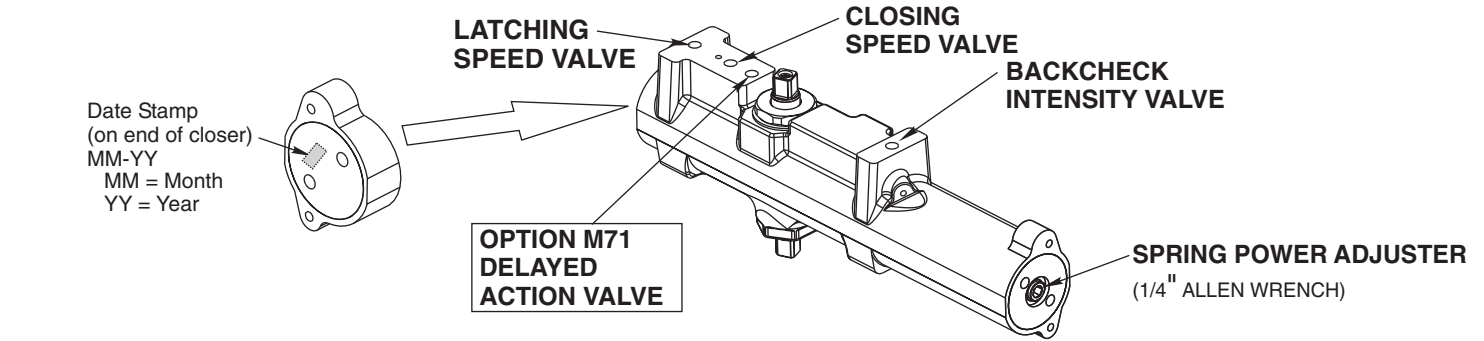
## Spring Power Adjustment

Locate spring power adjuster from illustration below  
DC8200 Size 1 thru 6 Adjustment See Chart

### DC8200 SPRING POWER ADJUSTMENT CHART

- All DC8200 closers are factory set at an approximate **Size 3**.
- Adjust closer as necessary for door size using this chart.
- Readjustment may be required to suit prevailing conditions.

Size of Door			Spring Power Adjustment No. Full Turns Clockwise		Equivalent Closer Size (Approx.)
Interior	Exterior In Swing	Exterior Out Swing	Regular & TJ Mounting	Parallel Arm Mounting	
2' 4" (712)	2' 6" (764)	---	1-5	2-7	3
2' 6" (764)	3' 0" (915)	---	5-8	7-11	4
3' 0" (915)	3' 6" (1067)	2' 6" (764)	8-13	11-15	5
3' 6" (1067)	4' 0" (1219)	3' 0" (915)	13-15	15-17	6



### Closing Speed Valve (1/8 Allen Wrench Provided)

To adjust speed of door closing from fully open to a position 2" to 5" from closed, turn Closing Speed Valve **CLOCKWISE** to SLOW closing, **COUNTER-CLOCKWISE** to SPEED closing.

### Latching Speed Valve (1/8 Allen Wrench Provided)

After closing speed has been obtained, turn latching speed valve **CLOCKWISE** to SLOW latching or **COUNTER-CLOCKWISE** to SPEED latching for last 2" to 5" of door travel.

**NOTE:** Set combination of CLOSING and LATCHING speeds to between 3 and 7 seconds. Use of door by handicapped, elderly or small children may require even greater closing time.

### Delayed Action Valve (1/8 Allen Wrench Provided)

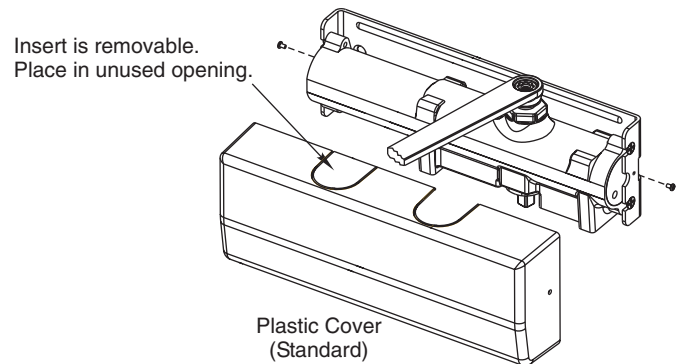
Turn valve **CLOCKWISE** to SLOW closing, **COUNTER-CLOCKWISE** to SPEED closing. Delayed action may be adjusted from 20 seconds to 90 seconds, depending on degree of door swing. Delay occurs at the beginning of the door closing cycle from fully open down to 70°, where the closing speed valve then begins its control.

### Backcheck Intensity Valve

Turn valve **COUNTER-CLOCKWISE** to reduce backcheck or **CLOCKWISE** to increase backcheck. (Backcheck should be set to give a soft cushioning action, not a sudden stop.)

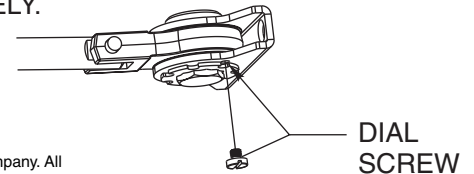
### Installing Cover

- Slip cover over closer.
- Hold tightly against QUIK-INSTALL® Bracket surface.
- Secure on each side with 6-32 x 1/4" PBHMS screws.



### To Adjust Hold Open (A1 Option)

Open the door to desired position and tighten the hold open screw firmly (For RH application, turn screw on underside **CLOCKWISE**. For LH application, turn screw **COUNTER-CLOCKWISE**.) Place the hold open dial over the hex head of the bracket screw so that one of the slots in the dial is directly over small screw hole tapped in bracket. Seat the dial tightly over the bracket. **INSERT DIAL SCREW AND TIGHTEN SECURELY.**



**Corbin  
Russwin**

**ASSA ABLOY**

80-9380-8000-152 Rev. 07/09

Copyright © 2006, 2009, Corbin Russwin, Inc., an ASSA ABLOY Group company. All rights reserved. Reproduction in whole or in part without the express written permission of Corbin Russwin, Inc. is prohibited.

ASSA ABLOY is the global leader in door opening solutions, dedicated to satisfying end-user needs for security, safety and convenience.