



Installation Instructions

8000H Series Tri-Style Non Handed Door Closer Hold Open Arm Models

ASSA ABLOY

Sized
(Sizes 2,3,4,5,6)
8100H
8300H
8500H

Adjustable
(Sizes 1 thru 6)
8301H
8501H

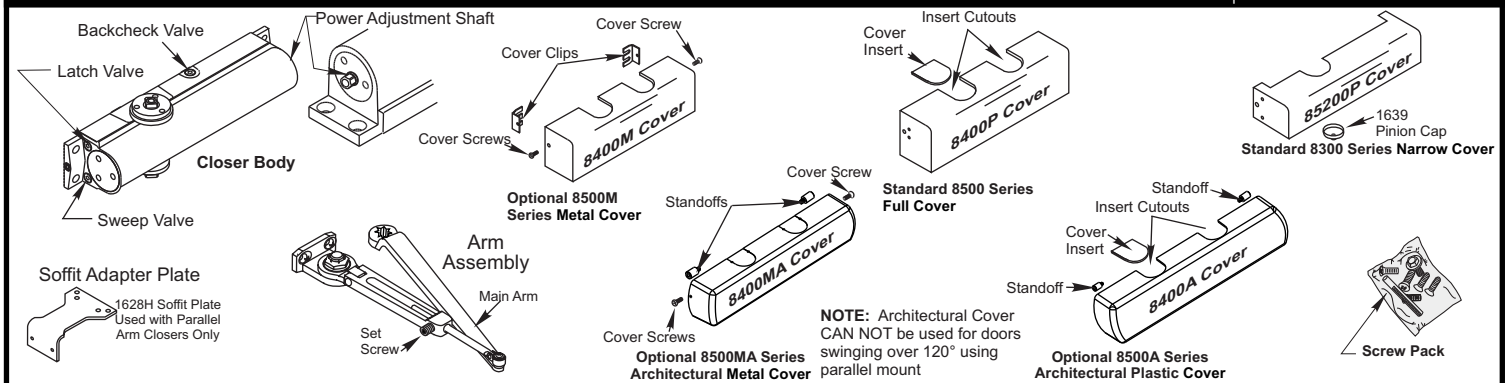
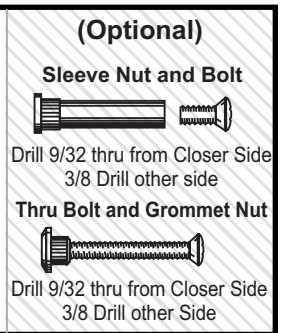
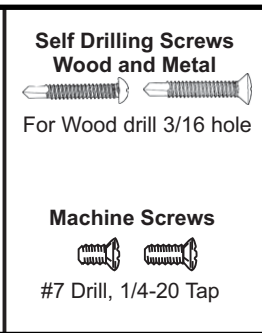
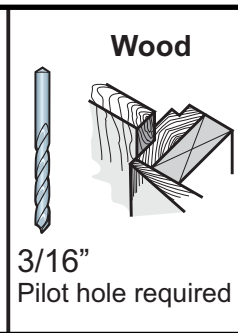
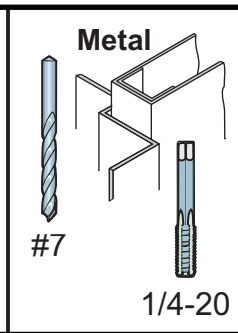
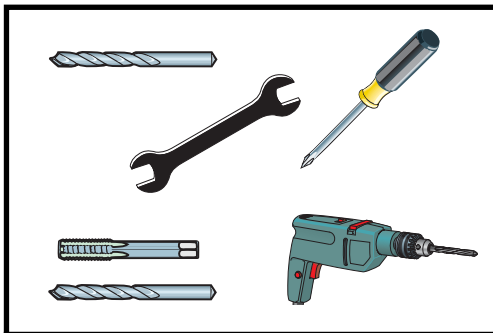
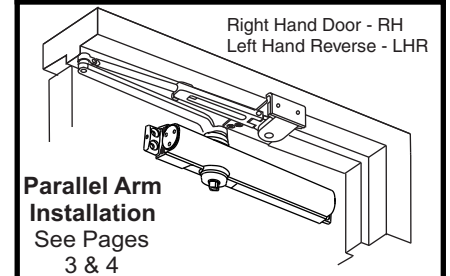
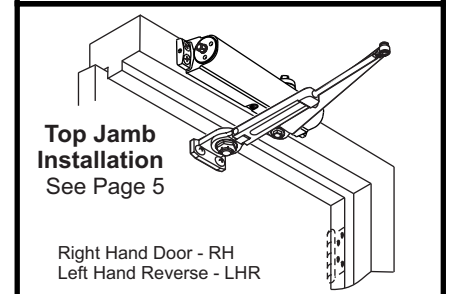
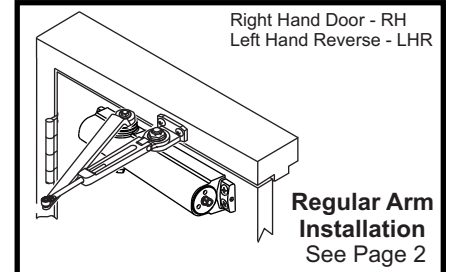
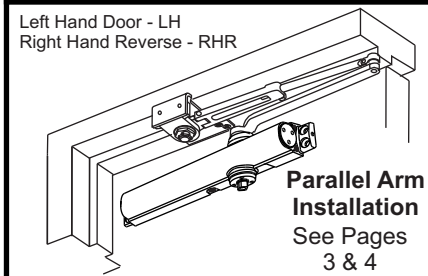
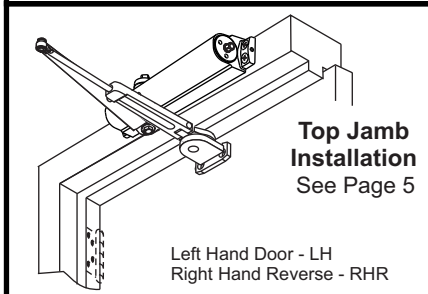
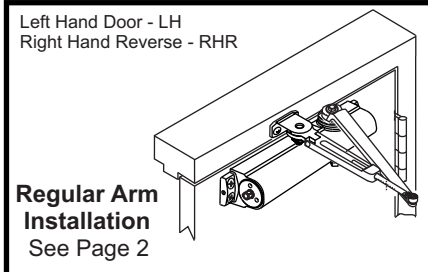


CAUTION An Incorrectly installed or improperly adjusted door closer can cause property damage or personal injury. These installation instructions should be followed to avoid the possibility of misapplication or misadjustment.

"DA" suffix (Delayed Action) is an optional feature.

NOTE: For special applications a separate door and frame preparation template is packed with these instructions. Use this instruction sheet for installation sequence and closer adjustments only.

- Doors should be hung on ball bearing or anti-friction hinges.
- A separate door stop is recommended.
- Door and frame must be properly reinforced.
- Adjust closing time speed between 3 and 7 seconds from 90° to 0°. Greater closing times may be required for elderly or handicapped.
- These door closers should NOT be installed on the exposed side (weather side) of exterior doors.



Parts

Optional

1 Mark and Drill Holes

3 Installation Sequence

Left Hand Nut Down

Optional

Optional

For 8500 Architectural Cover Only

Spring Power Adjust (If Necessary)

Right Hand Shown

Opening	Dimension "A"
To 100°	7-1/2 (191)
101° to 130°	6 (152)
131° to *180°	4-1/2 (114)

* Door/Wall/Hardware/Jamb conditions permitting

6 Backcheck

Caution: Don't completely close valve

4 Sweep

5 Latch

7 Set Hold Open

8 Pinion Cap or Optional Cover

8300 Series Only
Screw pinion cap onto pinion shaft by hand or with a Phillips screw driver - DO NOT OVER TIGHTEN.

Parts

1

Cover
Optional
8748 Plate
Optional

2 **Mark and Drill Holes**

Right Hand Shown

3 **Installation Sequence**

E Optional
For 8500 Architectural Cover Only

Inches (mm)	Door Opening	A	B
To 120°		9-1/2 (241)	3-3/4 (95)
* 121° to 180°		7 (178)	1-1/4 (32)

* Door/Wall/Hardware/Jamb conditions permitting

4 **Close Valves**

Sweep
Latch

5 **Install Closer and Bracket**

Left Hand
Right Hand
Down
Up

6 **Preload Closer**

Place Arm on Spindle
Rotate
Remove Arm from Spindle

Install Arm **7**

Right Hand Door
or
Left Hand Door

Flat

Flat

A

B

Open Valves **8**

Sweep

Latch

Caution:
Don't remove valves

Assemble Arm **9**

Attach Arm Screw **10**

1-1/2
(38)

Spring Power Adjust **11**

Spring Power Adjust
(If Necessary)

Sweep **12**

Latch **13**

Backcheck **14**

Caution:
Don't completely close valve

Set Hold Open **15**

70° to 180°

Pinion Cap or Optional Cover **16**

8200P
8400A
8400M
8400P

Or

Screw pinion cap onto pinion shaft by hand or with a Phillips screw driver - DO NOT OVER TIGHTEN.

1 Parts

Optional Cover

2 Mark and Drill Holes

Inches (mm)

12 (304.8)

3/4 (19)

A

Top of Frame

1-7/8 (48)

1-3/4 (44)

5-1/2 (140)

1/2 (13)

3 Installation Sequence

Optional H

A

E 90°

B

Left Hand Nut Up

C

D

F

G

H Optional

For 8500 Architectural Cover Only

Spring Power Adjust (If Necessary)

Right Hand Shown * Door/Wall/Hardware/Jamb conditions permitting

Opening	Dimension "A"
To 100°	7-1/2 (191)
101° to 130°	6 (152)
131° to *180°	4-1/2 (114)

A longer connecting rod is required for reveals greater than 3" (76)

Reveal

4 Sweep

5 Latch

6 Backcheck

Caution: Don't completely close valve

7 Set Hold Open

A

70° to 180°

B

8 Pinion Cap or Optional Cover

(2)

8200P

8400A

8400M

8400P

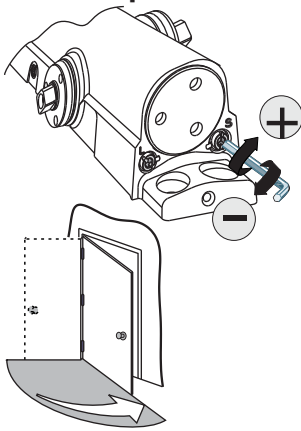
or

Screw pinion cap onto pinion shaft by hand or with a Phillips screw driver - DO NOT OVER TIGHTEN.

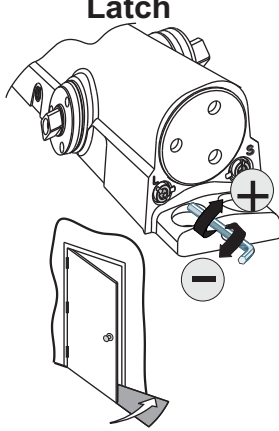
8000H Series Adjustments Page

(Use 1/8" Hex Wrench for these Adjustments)

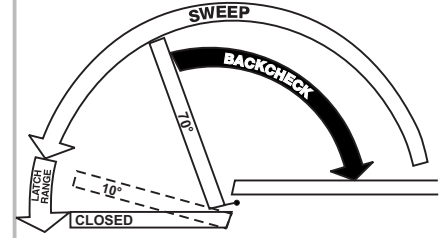
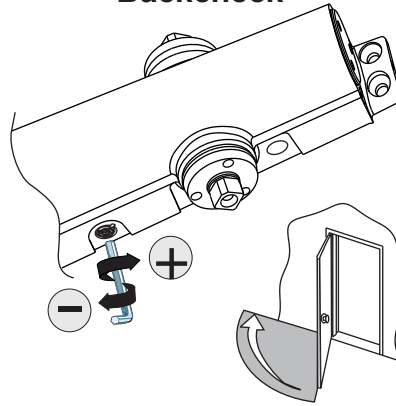
Sweep



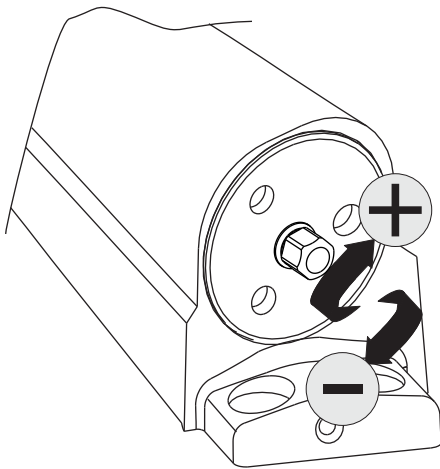
Latch



Backcheck



Spring Power Adjust



(Use 5/16" socket or adjustable wrench for this adjustment)

Adjustment Chart

				Number of Turns Required MAXIMUM DOOR SIZE			
				32" (0.85M)	36" (0.90M)	42" (1.00M)	48" (1.20M)
	DOOR	TYPE OF INST.	*				
8100/8300/8500	INTERIOR	Regular Arm Top Jamb	FULL 360° TURNS OF 5/16 POWER ADJUSTMENT WRENCH	5	8	11	13
		Parallel Arm		7	10	13	16
	EXTERIOR	Regular Arm Top Jamb		7	10	13	16
		Parallel Arm		9	12	15	18

*20 FULL (360°) TURNS MAXIMUM AVAILABLE
Closer is shipped set at mid range setting = 10 turns

To identify your model:

Closer Size

Blank = 8301/8501

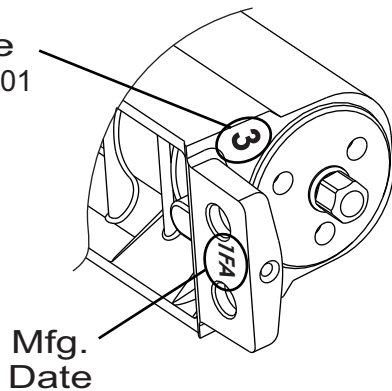
2 = 8302/8502

3 = 8303/8503

4 = 8304/8504

5 = 8305/8505

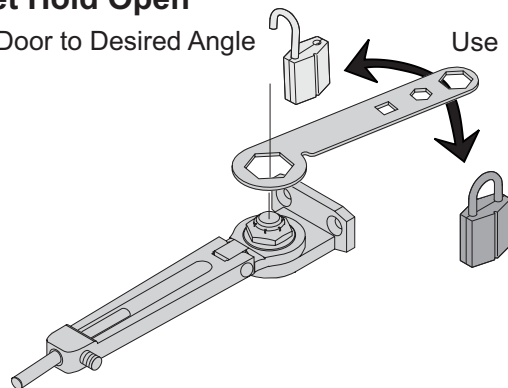
6 = 8306/8506



To Set Hold Open

Open Door to Desired Angle

Use 1" Wrench



Norton

ASSA ABLOY

3000 Highway 74 East • Monroe, NC 28112
Tel: (877)-974-2255 • Fax: (800)-338-0965
www.nortondoortcontrols.com