

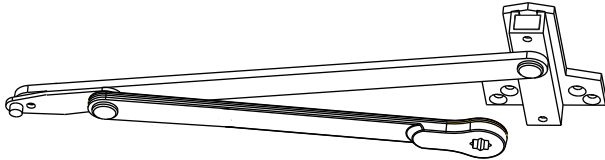
**DC6210 Series**  
Multi-Size 1 thru 6  
**DC6410 Series**  
Half-Size 1 thru 6

**Installation Instructions**

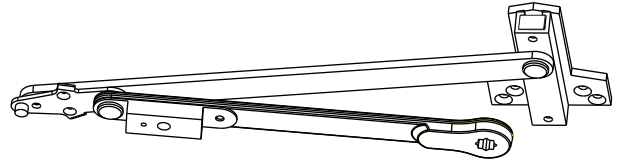


**ASSA ABLOY**

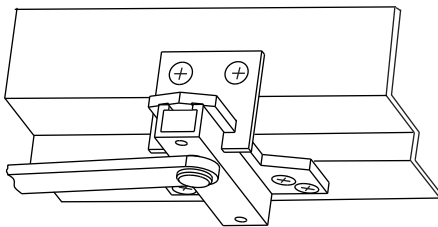
**Universal Door Closers with Heavy Duty Spring Stop Parallel Arms**



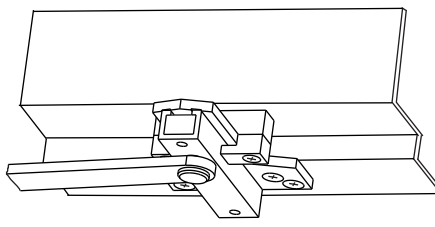
**A11 - Non-Hold Open Arm**



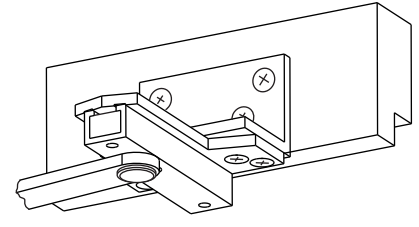
**A12 - Hold Open Arm**



**STANDARD APPLICATION WITH 615F58 BRACKET**



**DEEP REVEAL APPLICATION WITH M103 OPTION(615F59 CLAMP KIT)**



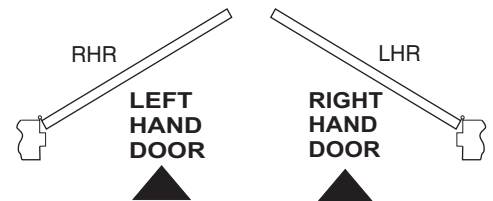
**FLUSH PARTITION APPLICATION WITH M104 OPTION (615F60 BRACKET)**

**IMPORTANT:**

- An improperly installed or incorrectly adjusted door closer may cause **property damage** or **personal injury**; and will void product warranty.
- To avoid personal injury, **DO NOT DISASSEMBLE THIS DOOR CLOSER BODY.**
- Door closers must be securely fastened to a properly reinforced door and frame with fasteners provided.
- Door closers with a HOLD OPEN ARM (A12) are not permitted to be installed in fire door assemblies.
- Door and frame must be specifically templated for 85°, 90°, 95°, 100°, 105° or 110° door swing.

Size of Door & Door Closer					
Type of Installation	Interior	Exterior In -swinging	Exterior Out -swinging	Recommended Closer Size	**Max. Opening Force lbs/f
Parallel Arm	2'4"	_____	_____	1	8
	2'6"	_____	_____	2	14
	3'0"	_____	2'6"	3	16
	3'6"	_____	3'0"	4	22
	4'0"	_____	*3'6"	5	24
	4'6"	_____	*4'0"	6	26

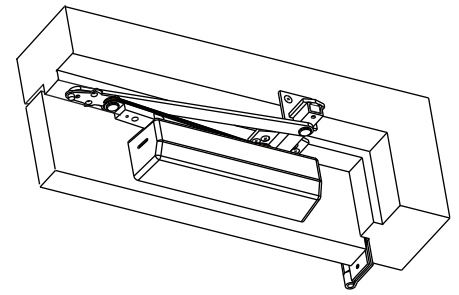
**TO DETERMINE HAND OF YOUR DOOR:**



\*DC6410 Series Recommended

\*\*NOTE: These forces are for standard templating with bearing type hinges and do not account for pressure differentials and draft. Half size closers DC6410 are capable of being adjusted to next higher setting.

# Installation Instructions



## Parallel Arm Application A11 or A12 Arm

SEE CHART TO SELECT DEGREE OF DOOR OPENING AND DOOR WIDTH FOR YOUR DOOR. THEN, DETERMINE FRAME CONDITION: STANDARD & DEEP REVEAL (use Dim's A & B) or FLUSH PARTITION (use Dim's A & C)

\*Dimension "C" is only used for Flush Partition application (Frame Template 1C).

Opening	DOORS 28" TO 32" 615F52 NHO ARM (A11) 615F51 HO ARM (A12)			DOORS 33" TO 41" 615F54 NHO ARM (A11) 615F53 HO ARM (A12)			DOORS 42" TO 48" 615F56 NHO ARM (A11) 615F55 HO ARM (A12)					
	HOLD OPEN	DEAD STOP		Dim. A	Dim. B	*Dim. C	Dim. A	Dim. B	*Dim. C	Dim. A	Dim. B	*Dim. C
85°	90°			11 (279)	10 (254)	10-1/8(257)	13-1/8(333)	12-1/4(311)	12-3/8(314)	15-1/8(384)	14-3/8(365)	14-1/2(368)
90°	95°			10-1/2(267)	9-1/2 (241)	9-5/8 (244)	12-5/8(321)	11-5/8(295)	11-3/4(298)	14-1/2(368)	13-3/4(349)	13-7/8(352)
95°	100°			10 (254)	9 (229)	9-1/8 (232)	12 (305)	11-1/8(283)	11-1/4(286)	13-7/8(352)	13-1/8(333)	13-1/4(337)
100°	105°			9-1/2 (241)	8-1/2 (216)	8-5/8 (219)	11-5/8(295)	10-5/8(270)	10-3/4(273)	13-1/4(337)	12-1/2(318)	12-5/8(321)
105°	110°			9 (229)	8 (203)	8-1/8 (206)	11 (279)	10-1/8(257)	10-1/4(260)	12-3/4(324)	12-1/8(308)	12-1/4(311)
110°	115°			8-1/2 (216)	7-1/2 (191)	7-5/8 (194)	10-1/2(267)	9-1/2 (241)	9-5/8 (244)	12-1/4(311)	11-1/2(292)	11-5/8(295)

## 1. Templates

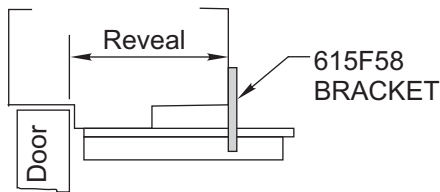
Mark Door (for closer bracket) and Jamb (for arm bracket).

### FRAME TEMPLATE 1A

(Standard Application with 615F58 Bracket)

For Deep Reveal use Frame Template 1B (Page 3).  
For Flush Partition use Frame Template 1C (Page 3).

Frame Reveals 1-7/8" to 4-5/8"  
(48mm to 117mm)



Door Template is Typical for all Frame Templates 1A, 1B, and 1C

#### NOTES:

- Check hand of door, see page 1.
- Right Hand Application Shown Left Hand Opposite
- Dimensions given in inches (mm). Do Not Scale Drawing.
- Closer must be installed in a true horizontal plane to ensure proper closer performance.

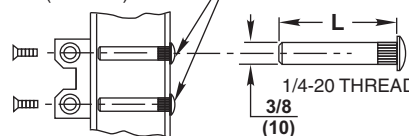
#### MOUNTING SCREW SPECIFICATIONS

##### ARM AND CLOSER BRACKET

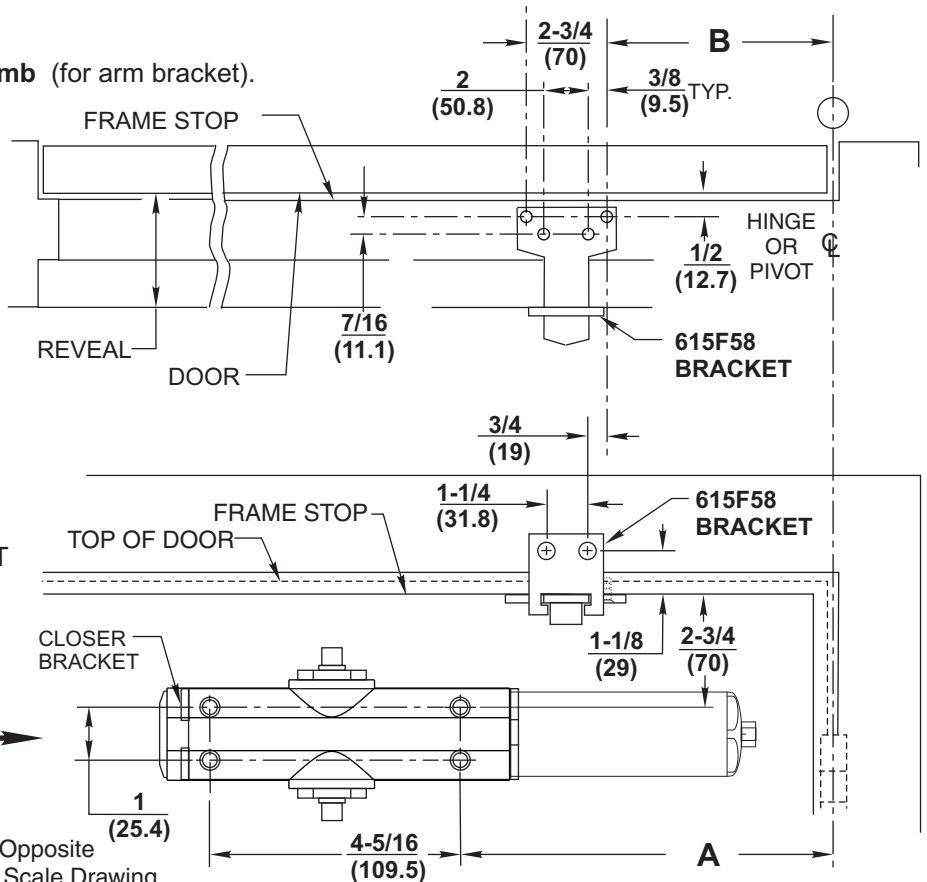
1/4-20 oval head machine screw or 1/4-14 self-drilling screw.  
3/16 (4.8) diameter pilot hole required for Wood Applications.

Option M54: Sex nuts, furnished when ordered

Drill thru 9/32 (7.1) Enlarge to 3/8 (9.5) Dia. This Side Only (4 Places)



DOOR THICKNESS	SEX NUT LENGTH "L"
1-3/8" (35mm)	1-9/32" (33mm)
1-3/4" (44mm) & OVER	1-21/32" (42mm)



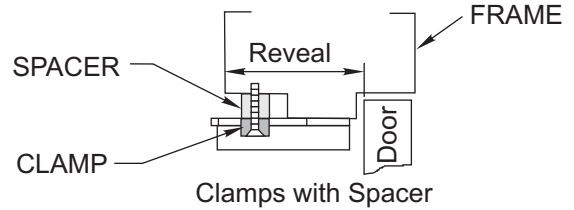
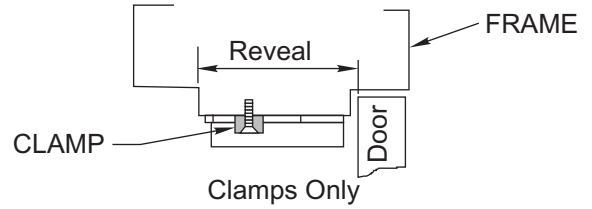
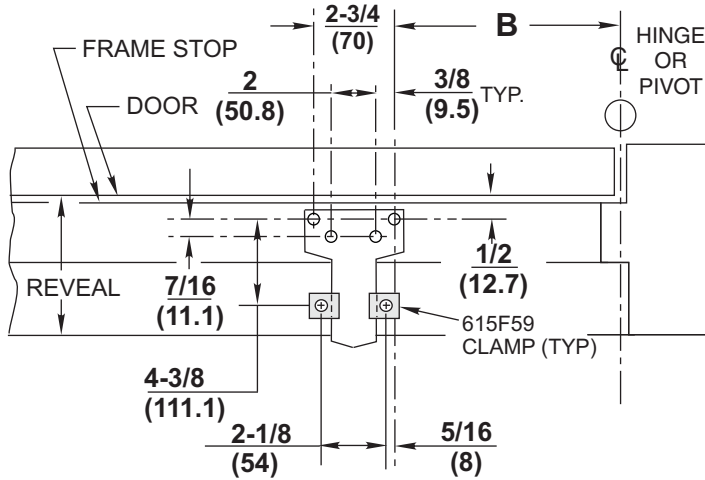
ASSA ABLOY

# Installation Instructions

## Parallel Arm Application A11 or A12 Arm

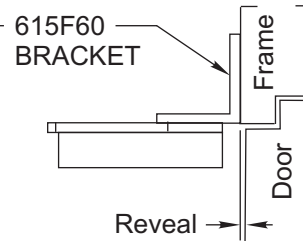
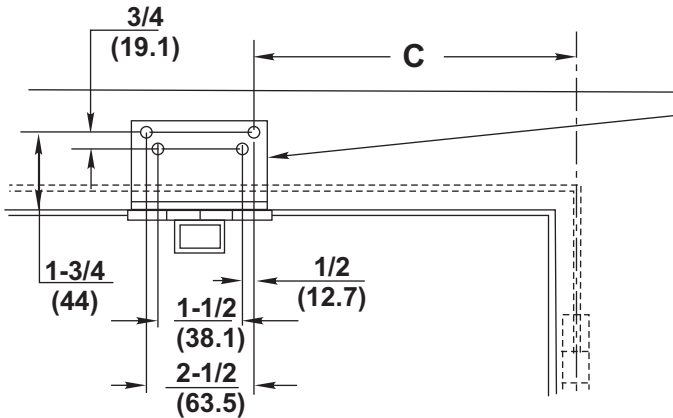
### FRAME TEMPLATE 1B DEEP REVEAL APPLICATION with M103 OPTION (615F59 CLAMP KIT)

Frame Reveals Over 4-5/8" (117mm)



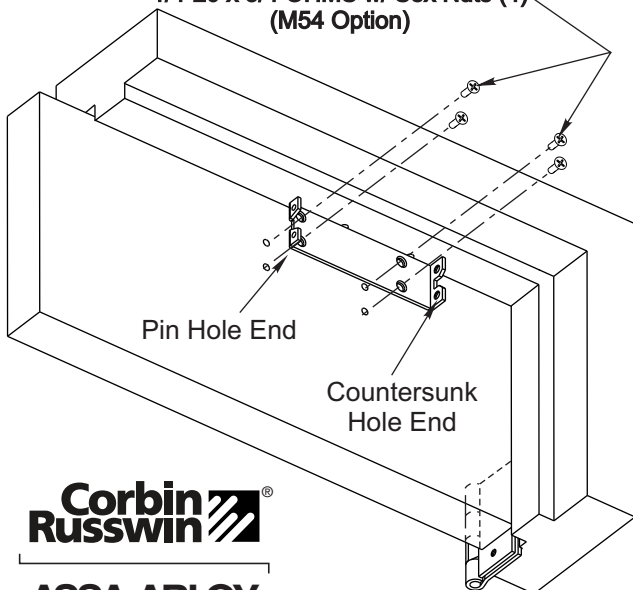
### FRAME TEMPLATE 1C FLUSH PARTITION APPLICATION with M104 OPTION (615F60 BRACKET)

Frame Reveals 0" to 1/8" (0mm to 3mm)

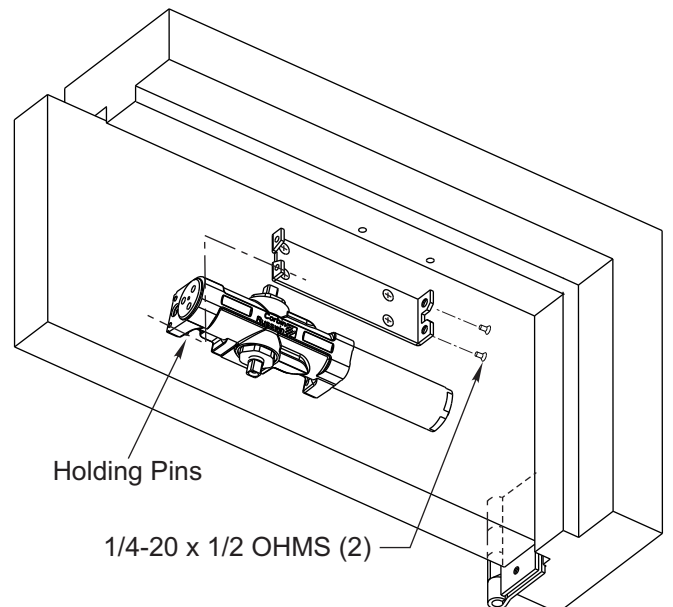


## 2. Install Closer Bracket

1/4-14 x 1-1/2 OH Self-Drilling (4)  
or  
1/4-20 x 3/4 OHMS w/ Sex Nuts (4)  
(M54 Option)



## 3. Mount Closer Body to Closer Bracket



ASSA ABLOY

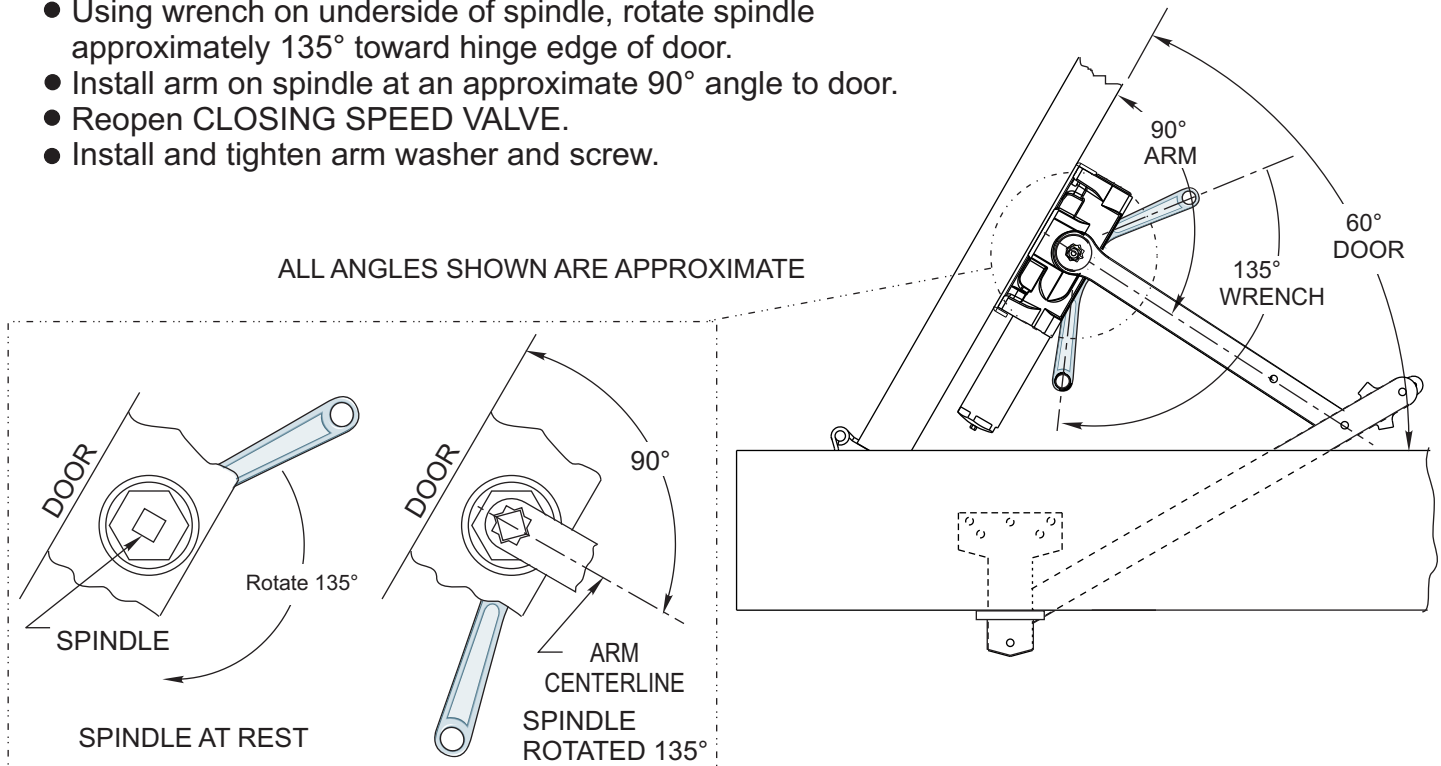
# Installation Instructions

## Parallel Arm Application A11 or A12 Arm

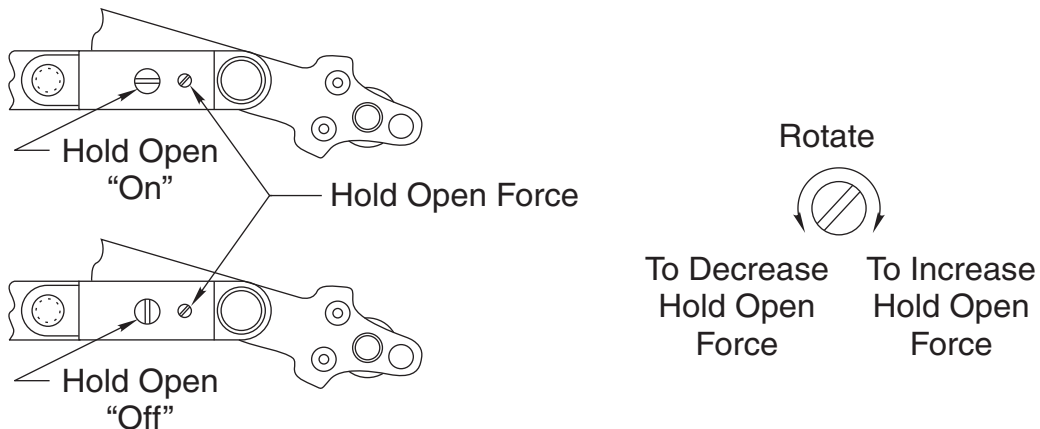
### 4. Connect Arm To Closer

Using hex wrench provided, close (turn clockwise) CLOSING SPEED VALVE (see page 4 for location on closer). **DO NOT OVER TIGHTEN.**

- Open door to approximately 60°
- Using wrench on underside of spindle, rotate spindle approximately 135° toward hinge edge of door.
- Install arm on spindle at an approximate 90° angle to door.
- Reopen CLOSING SPEED VALVE.
- Install and tighten arm washer and screw.



### HOLD OPEN ADJUSTMENTS - A12 ARMS ONLY



**Corbin  
Russwin**®

**ASSA ABLOY**

80-9360-6003-152 Rev. 07/12

ASSA ABLOY, the global leader in door opening solutions

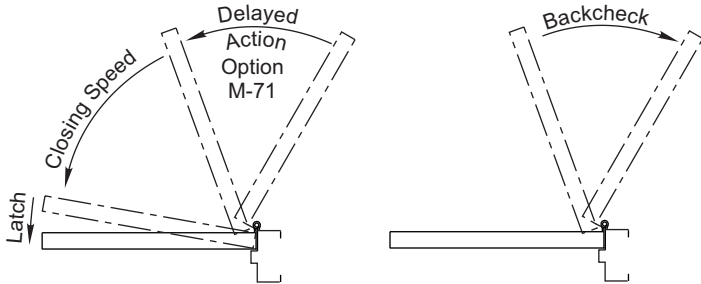
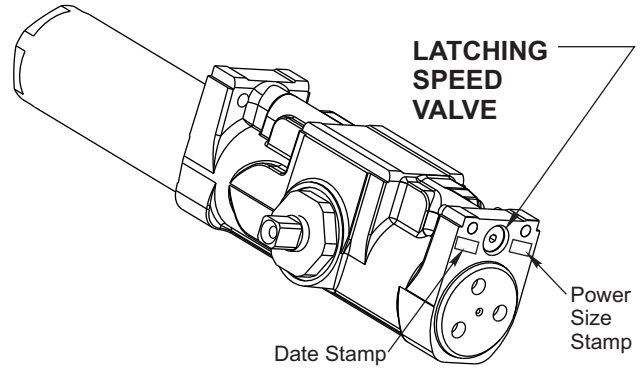
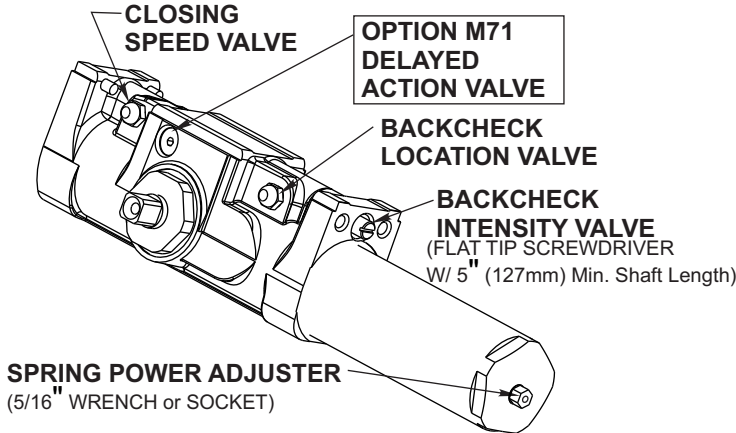
## Spring Power Adjustment

Locate spring power adjuster from illustration below  
 DC6400 Half Size Adjustment as Desired  
 DC6200 Size 1 thru 6 Adjustment See Chart

Interior	Size of Door		No. of Full (360°) Turns Clockwise of Power Adjuster	Equivalent Closer Size (Approx.)
	Exterior In Swing	Exterior Out Swing		
2' 4" (712)	2' 6" (764)		4	2
2' 6" (764)	3' 0" (915)		8	3
3' 0" (915)	3' 6" (1067)	2' 6" (764)	12	4
3' 6" (1067)	4' 0" (1219)	3' 0" (915)	16	5

### DC6200 SPRING POWER ADJUSTMENT CHART

- All DC6200 closers are factory set at an approximate **Size 3**.
- Adjust closer as necessary for door size using this chart.
- Readjustment may be required to suit prevailing conditions.



### Backcheck Location Valve (3/32 Allen Wrench Provided)

Valve is closed, as shipped, from factory. To increase the degree of door opening where backcheck takes effect, turn valve counter-clockwise.

VALVE	OCCURS AT
CLOSED	65°-70°
OPEN	95°-100°

Degrees shown are approximate

### Closing Speed Valve (3/32 Allen Wrench Provided)

To adjust speed of door closing from fully open to a position 2" to 5" from closed, turn Closing Speed Valve **CLOCKWISE** to SLOW closing, **COUNTER-CLOCKWISE** to SPEED closing.

### Latching Speed Valve (3/32 Allen Wrench Provided)

After closing speed has been obtained, turn latching speed valve **CLOCKWISE** to SLOW latching or **COUNTER-CLOCKWISE** to SPEED latching for last 2" to 5" of door travel.

NOTE: Set combination of CLOSING and LATCHING speeds to between 3 and 7 seconds Use of door by handicapped, elderly or small children, may require even greater closing time.

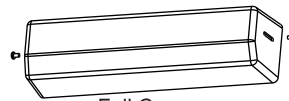
### Delayed Action Valve (3/32 Allen Wrench Provided)

Turn valve **CLOCKWISE** to SLOW closing, **COUNTER-CLOCKWISE** to SPEED closing. Delayed action may be adjusted from 20 seconds to 90 seconds, depending on degree of door swing. Delay occurs at the beginning of the door closing cycle from fully open down to 70°, where the closing speed valve then begins its control.

### Backcheck Intensity Valve

Turn valve **COUNTER-CLOCKWISE** to reduce backcheck or **CLOCKWISE** to increase backcheck. (Backcheck should be set to give a soft cushioning action, not a sudden stop).

### Installing Cover



Full Cover (Standard)

Slip cover over closer. Hold tightly against closer mounting surface. Secure on each side with 6-32 x 1/4" PBHMS screws.



ASSA ABLOY

80-9360-6003-152 Rev. 07/12

Copyright© 2006, 2012 Corbin Russwin, Inc., an ASSA ABLOY Group company. All rights reserved. Reproduction in whole or in part without the express written permission of Corbin Russwin, Inc. is prohibited.

ASSA ABLOY, the global leader in door opening solutions