



Non Hold Open Models

5016N

Adjustable
(Sizes 1 thru 6)



Installation Instructions

80-9311-0007-021 (8-04)

Non Handed Door Closer



CAUTION An incorrectly installed or improperly adjusted door closer can cause property damage or personal injury. These installation instructions should be followed to avoid the possibility of misapplication or misadjustment. **CAUTION**

"D" suffix (Delayed Action) is an optional feature.

NOTE: For special applications a separate door and frame preparation template is packed with these instructions. Use this instruction sheet for installation sequence and closer adjustments only.

- Doors should be hung on ball bearing or anti-friction hinges.
- A separate door stop is recommended.
- Door and frame must be properly reinforced.
- Adjust closing time speed between 3 and 7 seconds from 90° to 0°. Greater closing times may be required for elderly or

Regular Arm Installation
See Page 2

Left Hand Door - LH
Right Hand Reverse - RHR

Top Jamb Installation
See Page 5

Left Hand Door - LH
Right Hand Reverse - RHR

Parallel Arm Installation
See Pages 3 & 4

Left Hand Door - LH
Right Hand Reverse - RHR

Regular Arm Installation
See Page 2

Right Hand Door - RH
Left Hand Reverse - LHR

Top Jamb Installation
See Page 5

Right Hand Door - RH
Left Hand Reverse - LHR

Parallel Arm Installation
See Pages 3 & 4

Right Hand Door - RH
Left Hand Reverse - LHR

• These door closers should NOT be installed on the exposed side (weather side) of exterior doors.

	<p>Metal</p> <p>#7 1/4-20</p>	<p>Wood</p> <p>3/16"</p>	<p>Self Drilling Screws Wood and Metal</p> <p>For Wood drill 3/16 hole</p> <p>Machine Screws</p> <p>#7 Drill, 1/4-20 Tap</p> <p>(Optional)</p> <p>Thru Bolt and Grommet Nut</p> <p>Drill 9/32 thru from Closer Side 3/8 Drill other Side</p>
--	--	---------------------------------	--

Closer Components:

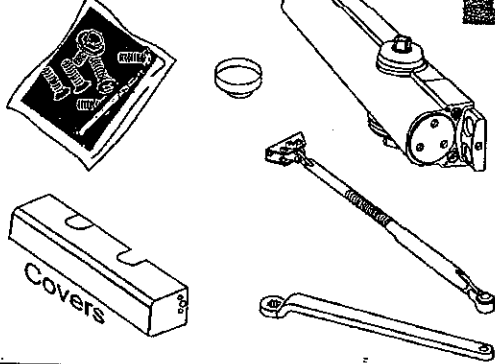
Labels: Backcheck Valve, Spring Adjustment, Latch Valve, Closer Body, Sweep Valve, Pinion Cap, Narrow Cover, Full Cover, Insert Cutouts, Cover Insert, Parallel Arm Bracket, Regular Arm/Top Jamb Shoe, Connecting Rod, Forearm, Main Arm, Closer Arm, Screw Pack

5016N Series

Non Hold Open Door Closers — Regular Arm

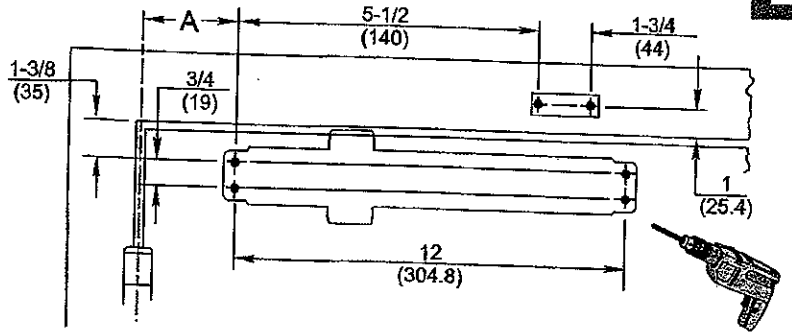
80-9311-0007-021 (8-04)

Parts



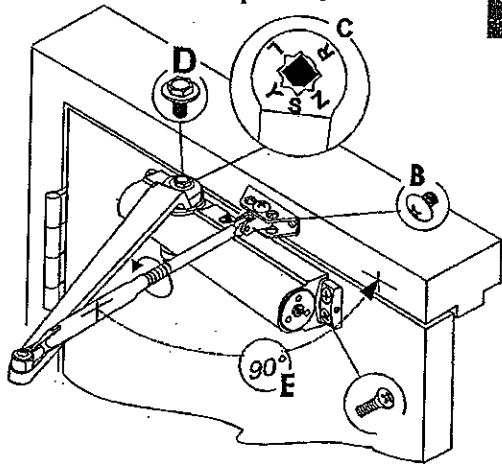
1

Mark and Drill Holes



2

Installation Sequence



3

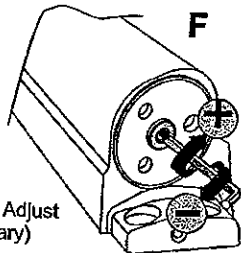
Opening	Dimension "A"
To 100°	7-1/2 (191)
101° to 130°	6 (152)
131° to *180°	4-1/2 (114)

Right Hand Shown

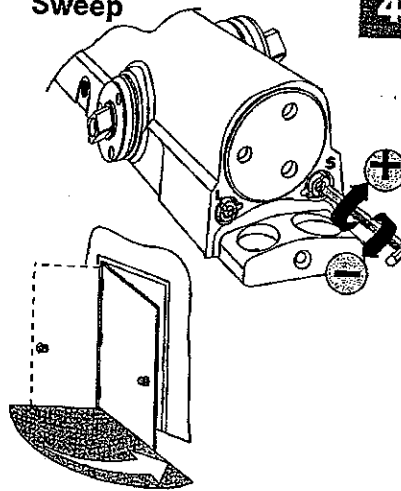
Inches
(mm)

* Door/Wall/Hardware/Jamb conditions permitting

Spring Power Adjust
(If Necessary)

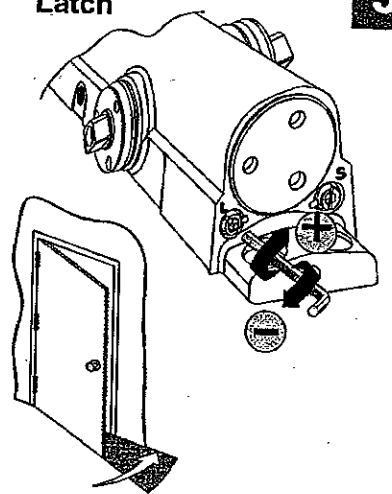


Sweep



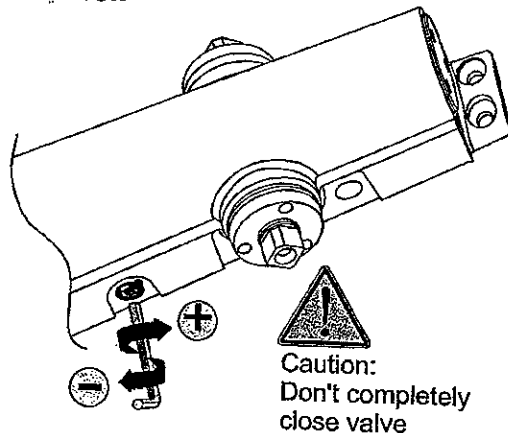
4

Latch

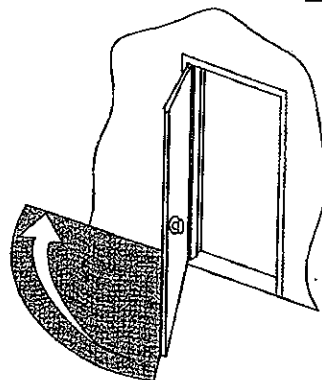


5

Backcheck



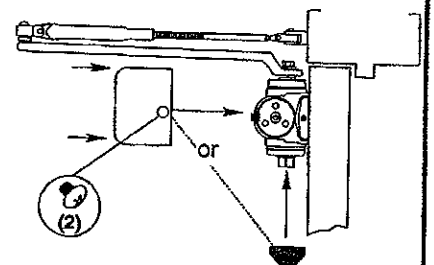
Caution:
Don't completely
close valve



6

Pinion Cap or Optional Cover

7

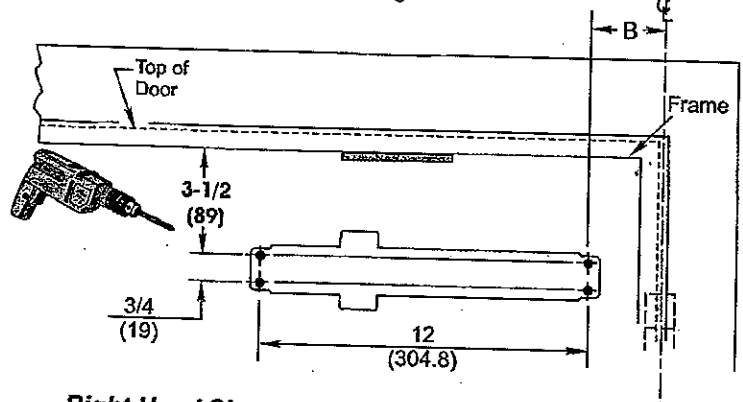
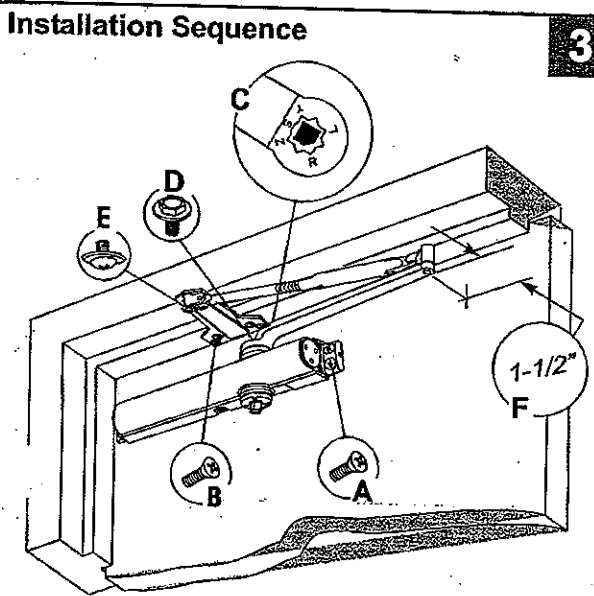
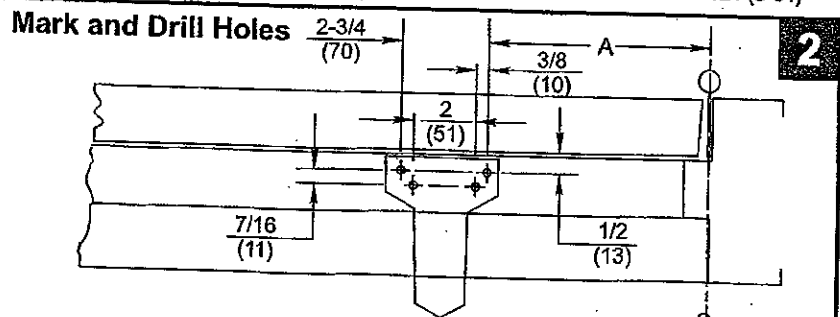
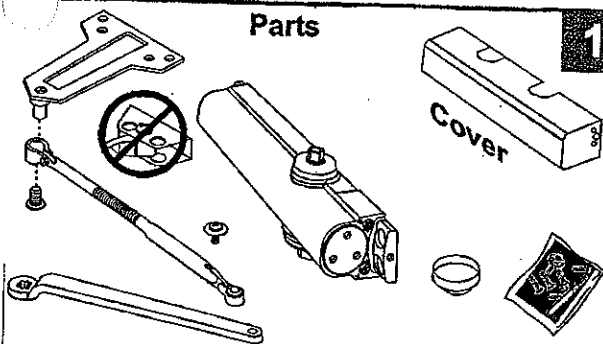


Screw pinion cap onto pinion shaft by hand or with a Phillips screw driver - DO NOT OVER TIGHTEN.

5016N Series

Non Hold Open Door Closers — Parallel Arm

80-9311-0007-021 (8-04)



Right Hand Shown

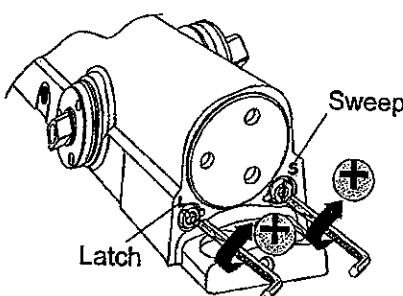
Inches
(mm)

Door Opening	A	B
To 120°	$9\frac{1}{2}$ (241)	$3\frac{3}{4}$ (95)
*121° to 180°	7 (178)	$1\frac{1}{4}$ (32)

* Door/Wall/Hardware/Jamb conditions permitting

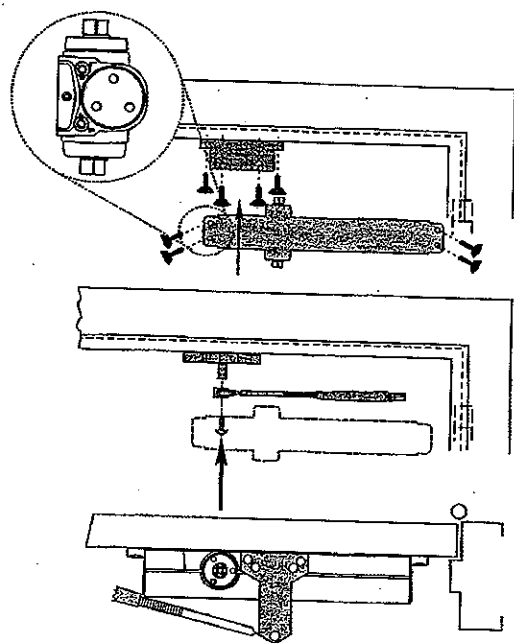
4

Close Valves



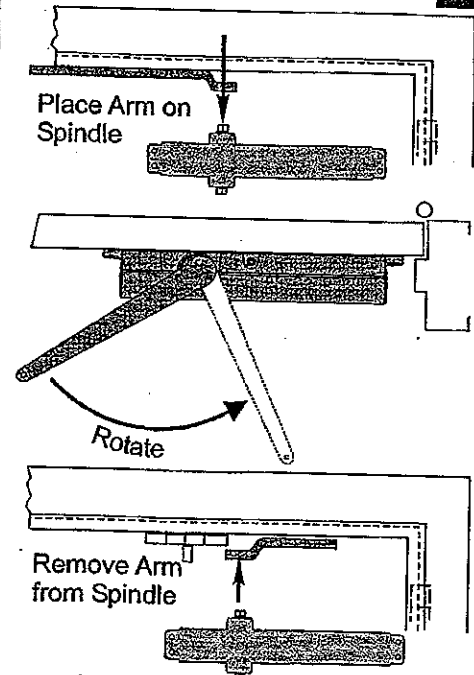
5

Install Closer and Bracket



6

Preload Closer

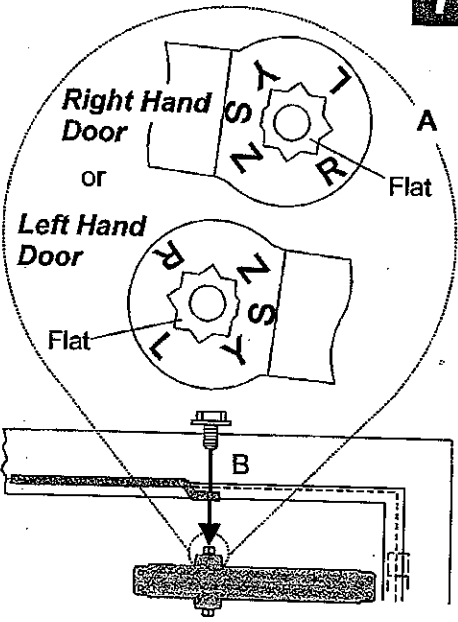


5016N Series

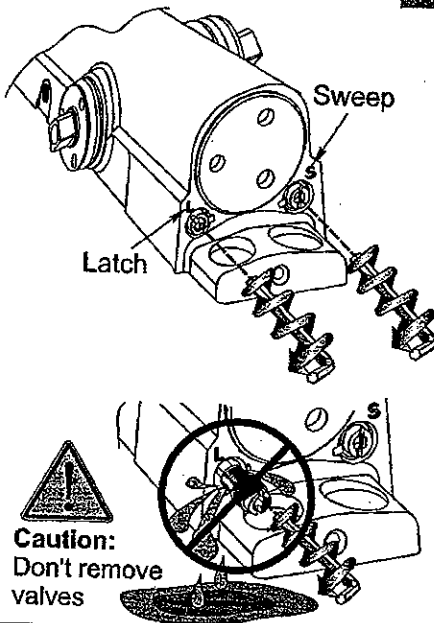
Non Hold Open Door Closers — Parallel Arm

80-9311-0007-021 (8-04)

7

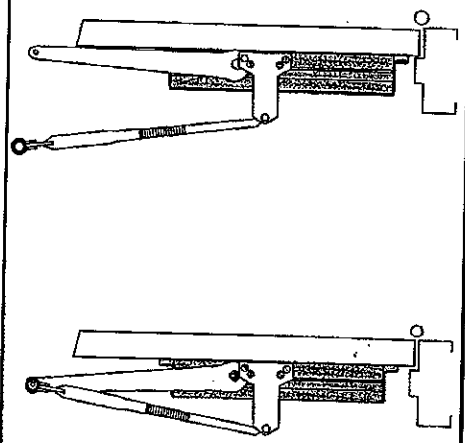


Open Valves



8

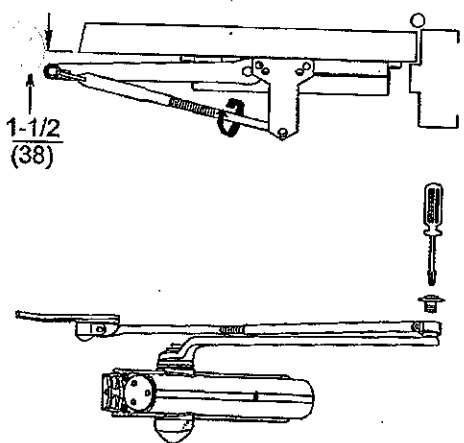
Assemble Arm



9

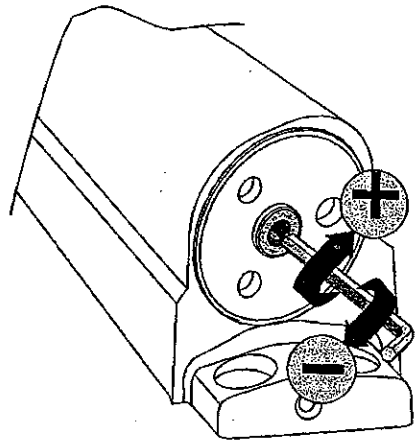
Arm Screw

10



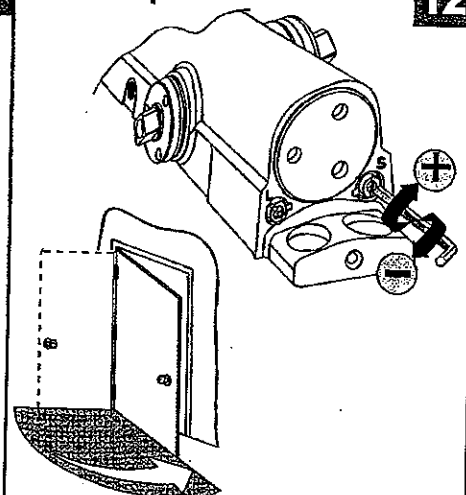
**Spring Power Adjust
(If necessary)**

11



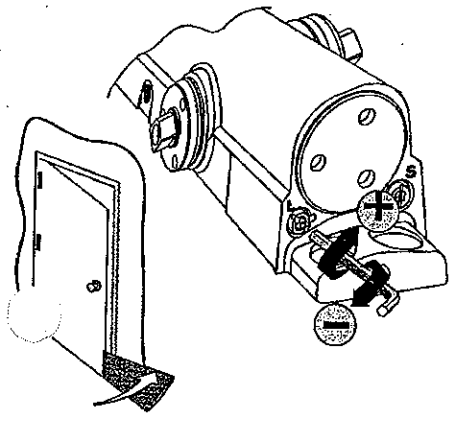
Sweep

12



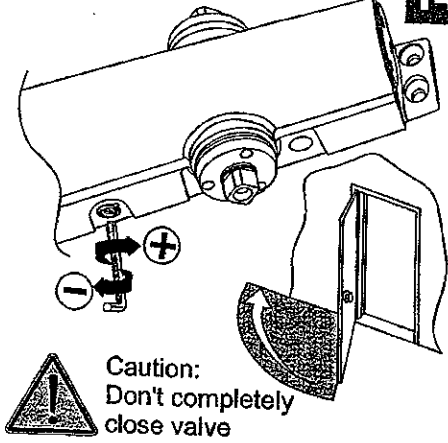
Latch

13



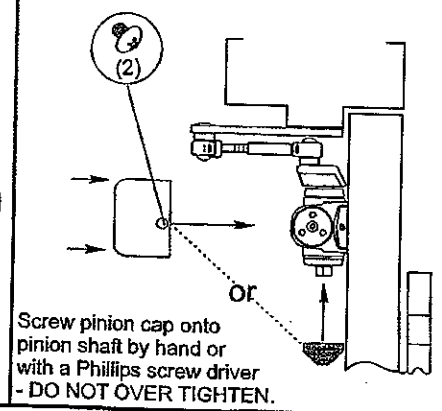
Backcheck

14



**Pinion Cap
or Optional Cover**

15

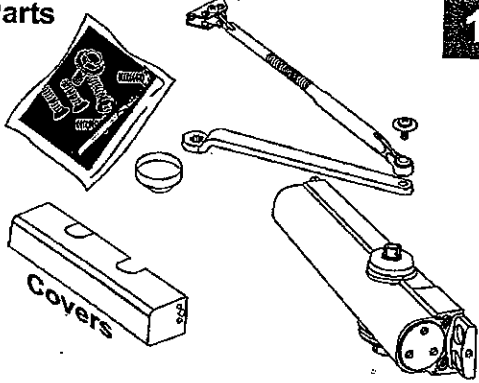


5016N Series

Non Hold Open Door Closers — Top Jamb Arm

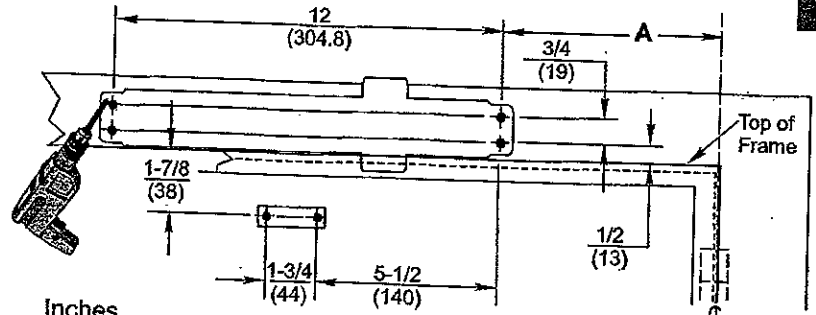
80-9311-0007-021 (8-04)

Parts



1

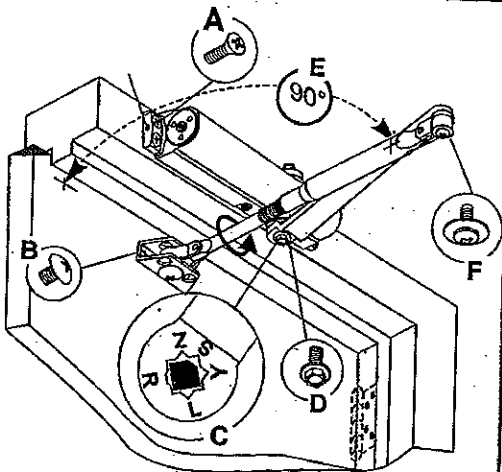
Mark and Drill Holes



2

Installation Sequence

3



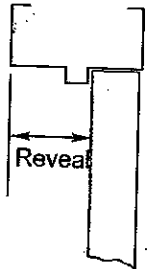
Inches (mm)

Right Hand Shown

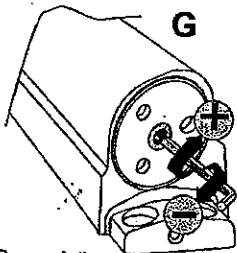
* Door/Wall/Hardware/Jamb conditions permitting

Opening	Dimension "A"
To 100°	7-1/2 (191)
101° to 130°	6 (152)
131° to *180°	4-1/2 (114)

A longer connecting rod is required for reveals greater than 3" (76)

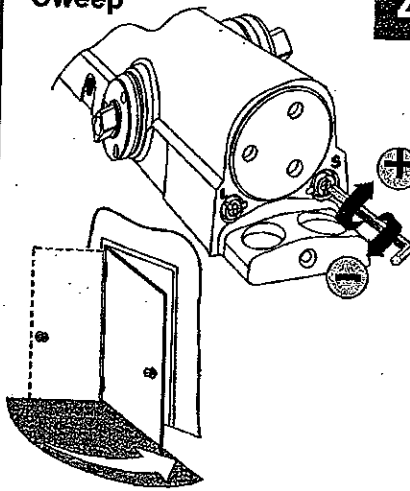


Spring Power Adjust



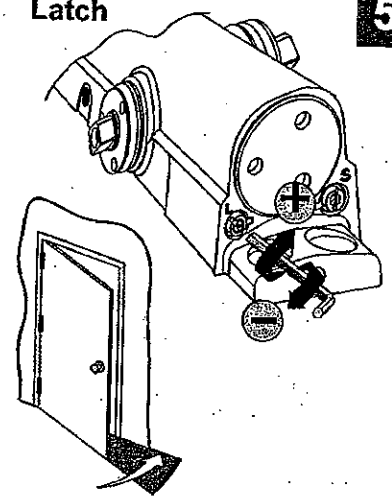
Sweep

4

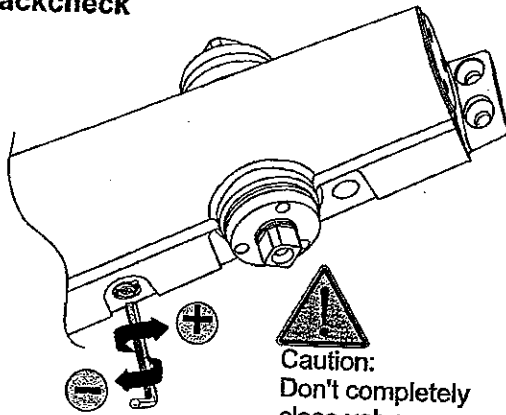


Latch

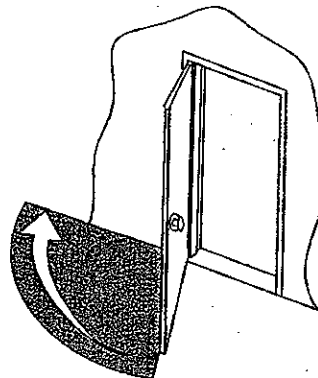
5



Backcheck

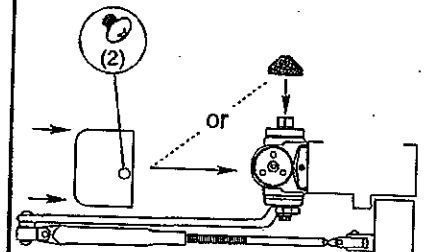


Caution: Don't completely close valve



Pinion Cap or Optional Cover

7



Screw pinion cap onto pinion shaft by hand or with a Phillips screw driver - DO NOT OVER TIGHTEN.

5016N Series Adjustments Page

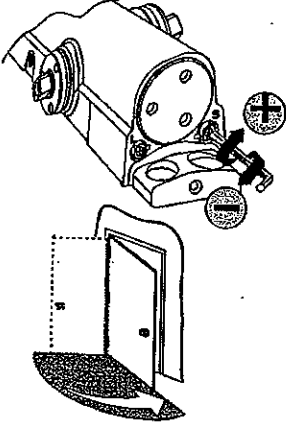
80-9311-0007-021 (8-04)

ARROW™

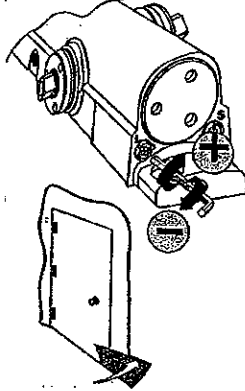
325 Duffy Ave.
Hicksville, NY 11801
Phone (516) 704-2700
FAX (516) 704-2790
www.arrowlock.com

Sweep

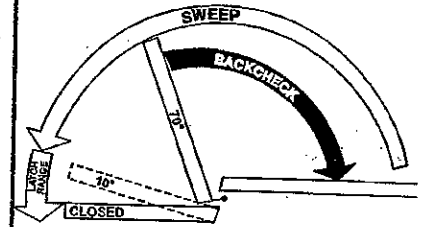
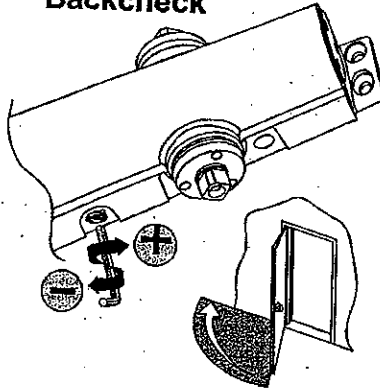
(Use 1/8" Hex Wrench for these Adjustments)



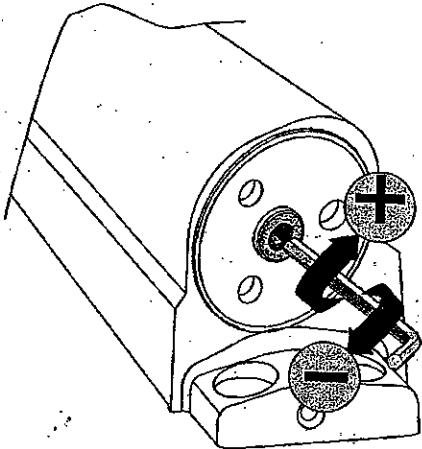
Latch



Backcheck



Spring Power Adjust

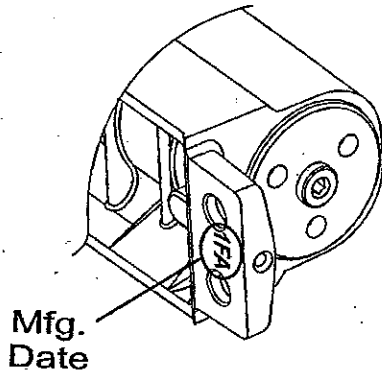


(Use 1/8" Hex Wrench for this Adjustment)

Adjustment Chart

	DOOR	TYPE OF INST.	*	Number of Turns Required MAXIMUM DOOR SIZE			
				32" (0.85M)	36" (0.90M)	42" (1.00M)	48" (1.20M)
5016N	INTERIOR	Regular Arm Top Jamb	FULL 360° TURNS OF 1/8" POWER ADJUSTMENT WRENCH	5	8	11	13
		Parallel Arm		7	10	13	16
	EXTERIOR	Regular Arm Top Jamb		7	10	13	16
		Parallel Arm		9	12	15	18

*20 FULL (360°) TURNS MAXIMUM AVAILABLE
Closer is shipped set at mid range setting = 10 turns



Arm Placement in Shoe

