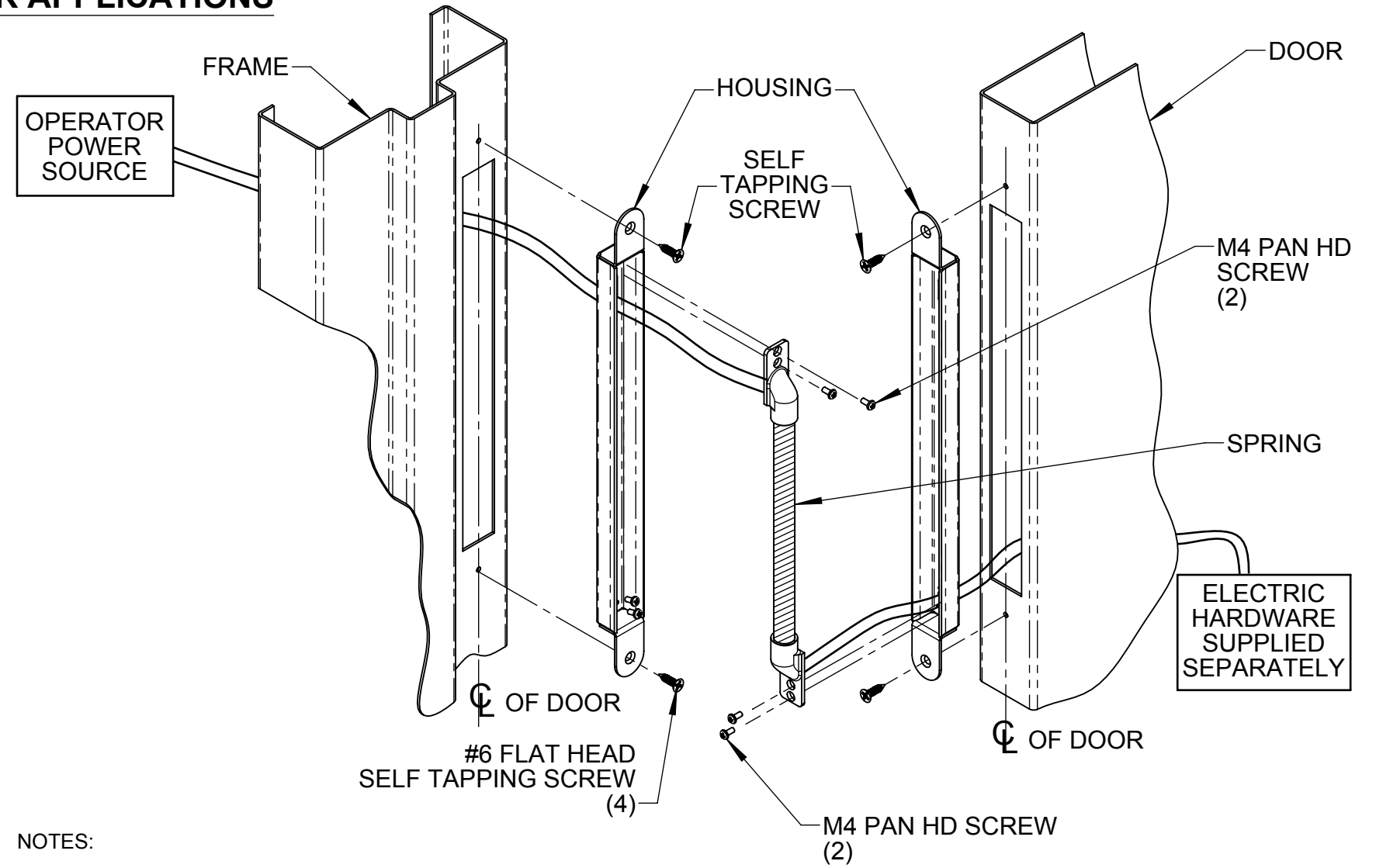
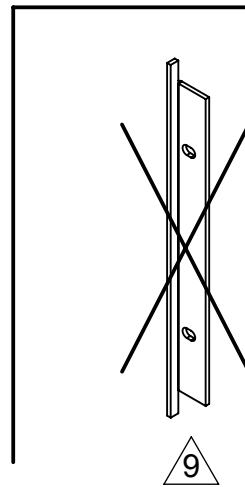
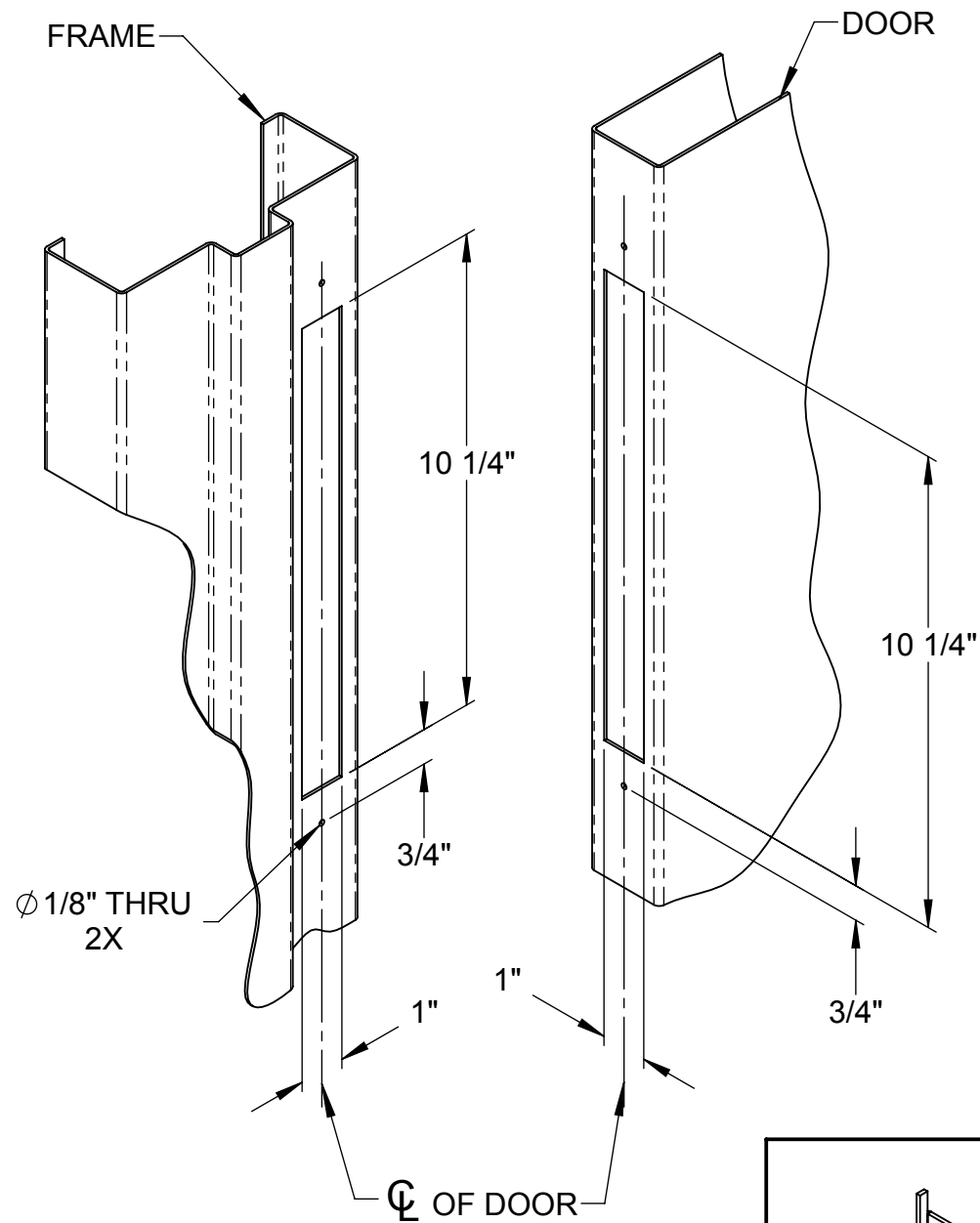


FOR SWING - CLEAR APPLICATIONS



NOTES:

1. FOR WOOD DOORS THE DEPTH OF THE CUTOUT IS 3/4" MINIMUM.
2. USE HOUSING AS A DRILLING TEMPLATE.
3. TRANSFER IS DESIGNED TO PROTECT THE WIRE. CARE SHOULD ALSO BE TAKEN WHEN INSERTING WIRES THROUGH THIS DEVICE.
4. ONLY STRANDED WIRES TO BE EMPLOYED.
5. SIZE AND NUMBER OF WIRES MUST COMPLY WITH THE NATIONAL ELECTRICAL CODE, AND WITH LOCAL AUTHORITIES HAVING JURISDICTION. WIRE SIZE SHALL BE AT LEAST 22 GA. IF 22 GA. IS EMPLOYED THEN UP TO 12 CONDUCTORS CAN BE EMPLOYED.
6. THIS DEVICE IS INTENDED FOR LOW VOLTAGE USE ONLY (30 VAC, 42.5 VDC, 10 W MAX).
7. WIRE SHOULD BE LABELED, APPLIANCE WIRING MATERIAL WITH MINIMUM 1/32" THICK INSULATION.
8. MORTAR BOX/ CONDUIT REQUIRED IN GROUTED FRAMES.
9. THE KNIFE GUARD SUPPLIED WITH THIS KIT IS USED FOR BUTT HINGE APPLICATIONS ONLY.