

### INSTALLATION DESCRIPTION

The 3000 is a 1500 pound holding force, surface mounted electromagnetic lock, for a single outswing door. The 3000 consists of two major components which must be installed on the door and frame - the lock assembly and the armature plate.

The 3000 requires both mechanical and electrical installation procedures as described herein.

### HANDLING

The electromagnetic lock and armature are ruggedly constructed and designed to provide years of trouble-free service. Care must be taken during installation and use that the lock face and armature face are kept free of dirt, rust, paint, or any other obstruction which may interfere with the lock and armature making good contact.

### MECHANICAL INSTALLATION

Familiarize yourself with the door and frame conditions. The lock must mount rigidly to the underside of the door frame header and against the vertical strike jamb. The armature is designed to pivot slightly to compensate for reasonable misalignment.

**NOTE: This lock can change hands to match the hand of the door. Refer to page 5 for further instructions.**

**NOTE: If this lock is supplied with the DSM option be certain that disc magnets are present inside the armature housing.**

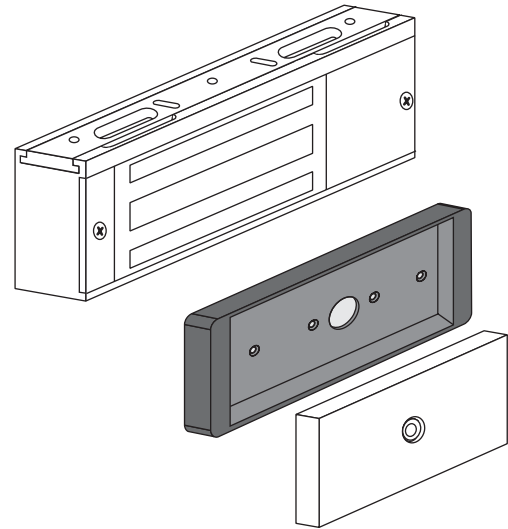
### ELECTRICAL INSTALLATION

After mechanical installation is complete the 3000 needs to be wired and tested. A power source, 12/24 VDC or VAC is required. Once low voltage power is supplied the unit is operational. All other wiring is for selected options. See separate wiring instructions for details.

### TABLE OF CONTENTS

|                                      |   |
|--------------------------------------|---|
| General Information.....             | 1 |
| Bill Of Materials.....               | 2 |
| Using The Template.....              | 3 |
| Mounting The Armature.....           | 4 |
| Changing Lock Handing.....           | 5 |
| Mounting The Lock.....               | 6 |
| Exploded Parts View.....             | 7 |
| Exploded Parts Legend / Support..... | 8 |

### MODEL #3000 BILL OF MATERIALS



- (1) 3000 LOCK ASSEMBLY
- (1) ARMATURE
- (1) ARMATURE HOUSING
- (1) HARDWARE KIT
- (1) 1/8" BALL HEAD HEX WRENCH
- (1) MOUNTING TEMPLATE
- (1) INSTALLATION MANUAL
- (1) WIRING MANUAL

### REQUIRED TOOLS

- (1) Electric Drill
  - (1) #2 Phillips Screw Driver
  - (1) Soft Faced Mallet
  - (1) Hammer
  - (1) Center Punch
  - (1) 3/16" Hex Wrench
  - (1) Pencil & Tape
- Drill Bits: 1/8", 17/64", 11/32", 1/2", 9/16", 21/32"

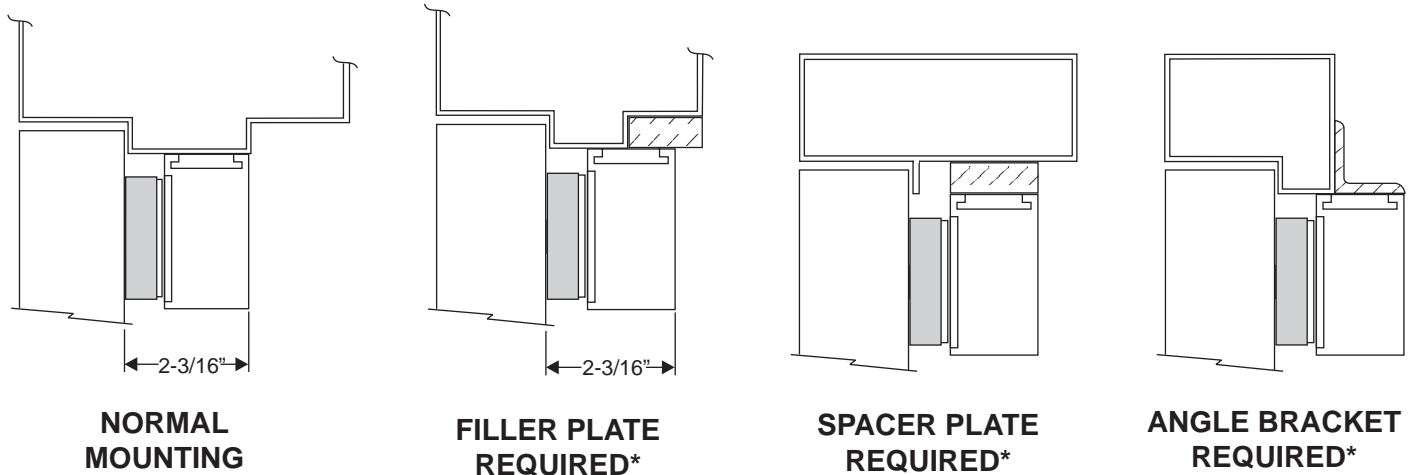
### HARDWARE KIT CONTENTS (P/N 301314)

| QTY. | ITEM                      | DESCRIPTION                                    |
|------|---------------------------|--|
| 5    | Baseplate Mounting Screws | #10x1" phillips pan head sheet metal screw     |
| 5    | Baseplate Mounting Screws | #10-24x1/2" phillips pan head machine screw    |
| 1    | Armature Mounting Screw   | 5/16-18x2" hex flat head machine screw, turned |
| 4    | Armature Housing Screws   | #8x1" phillips flat head sheet metal screw     |
| 4    | Armature Housing Screws   | 8-32x3/8" phillips flat head machine screw     |
| 1    | Armature Spacer           | 3/8"Dx0.235"L spacer                           |
| 1    | Steel Washer              | 1/4" flat steel washer                         |
| 1    | Door Spacer               | 5/8"Dx1-11/16"L spacer                         |
| 1    | Sex Nut                   | 5/16-18 sex nut                                |

**NOTE: For further parts clarification refer to the Exploded Parts View on page 7 or consult factory.**

#### MOUNTING CONSIDERATIONS

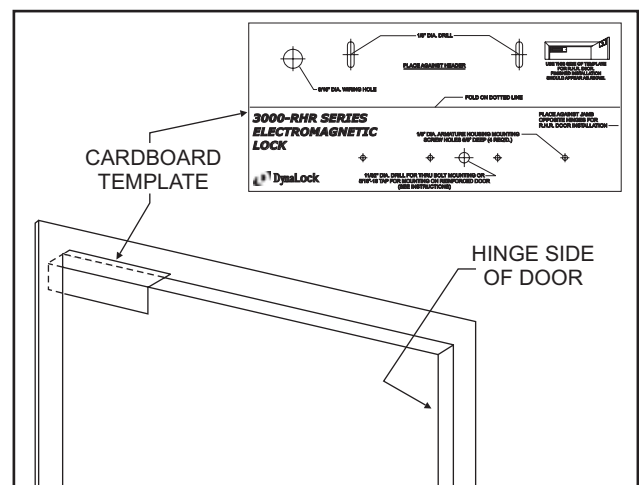
Inspect the door frame and determine if an angle bracket or filler plate will be required for installation. The lock will require a 2" wide header stop for a suitable mounting surface.



\*See Price Book or Call DynaLock Corp.

#### USING THE TEMPLATE

1. Fold the template on the dotted line to form a 90 degree angle. Scoring the template with a straight edge and a screwdriver will make it fold easier.
2. With the door in the closed and latched position, from the push side, place the template against the header and door with one edge against the vertical strike jamb and tape in place.
3. Transfer all hole locations to both the door and header with a center punch, then remove the template from the door.
4. Referring to the template drill two 1/8" dia. lock mounting holes (or tap for 10-24) and one 9/16" dia. wiring hole in the top of the frame, at the transferred locations. Remaining mounting holes will be drilled after lock is first mounted and adjusted (page 6).
5. Drill the remaining transferred holes in the face of the door to accept the Armature following the instructions on page 4 for your specific door type.

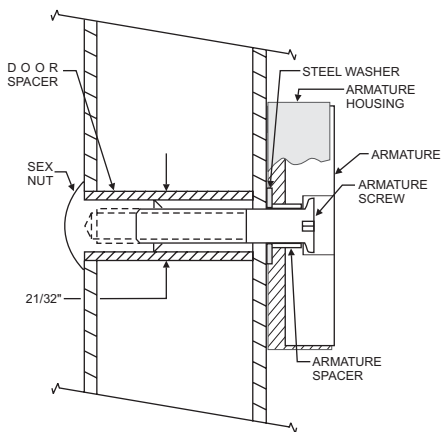


#### MOUNTING THE ARMATURE

From the three illustrations below select the one that resembles your door type and follow the instructions for drilling the Armature mounting screw hole. (See Template)

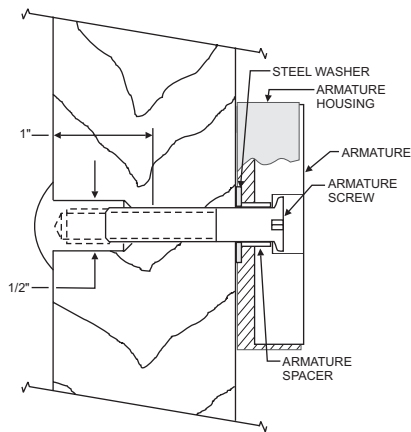
Drill four (4) 1/8" dia. holes for #8 x 1" sheet metal screws or drill and tap for #8-32 x 3/8" machine screws (See Template).

#### GLASS AND ALUMINUM OR HOLLOW METAL DOOR



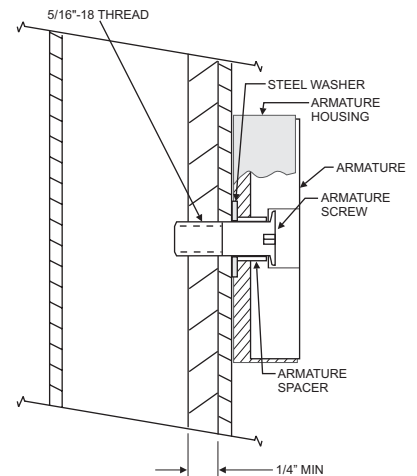
Drill an 11/32" diameter hole through the door. From the sex nut side only enlarge the hole to 21/32" diameter.

#### SOLID CORE DOOR



Drill an 11/32" diameter hole through the door. From the sex nut side drill 1/2" diameter hole to 1" depth.

#### REINFORCED DOOR



Drill a 17/64" diameter hole and tap for 5/16-18 thread

Mount the Armature Housing to the door using four (4) #8 x 1" sheet metal screws or #8-32 x 3/8" machine screws.

Place the Armature inside the Armature Housing and secure using the proper hardware, according to the above illustrations. Firmly tighten the Armature mounting screw with a 3/16" hex wrench.

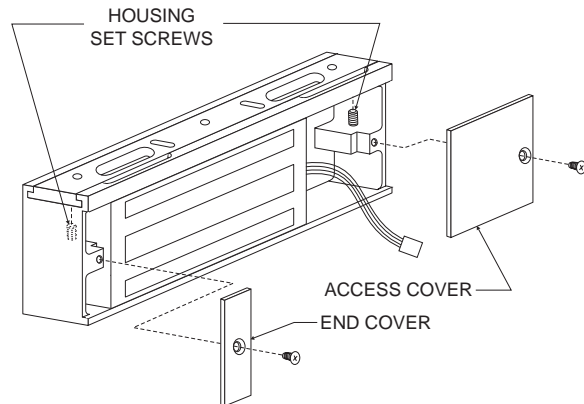
**Failure to properly secure the Armature to the door could result in serious injury or possible security breach.**

### CONVERTING LOCK HANDING

The 3000 is factory configured to RHRB door handing. To convert the lock to LHRB handing complete the following steps.

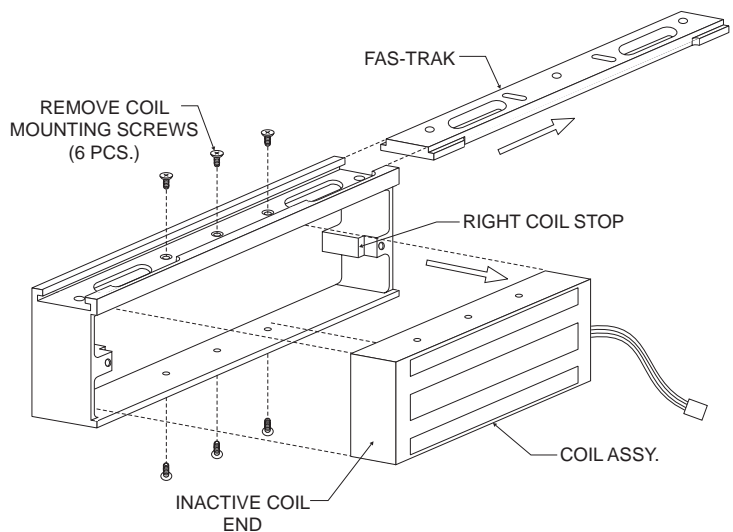
#### A.

Remove the access and end covers. Using the 1/8" ball end hex wrench provided, loosen both housing set screws approx. three turns. **Do not remove the set screws from the housing.**



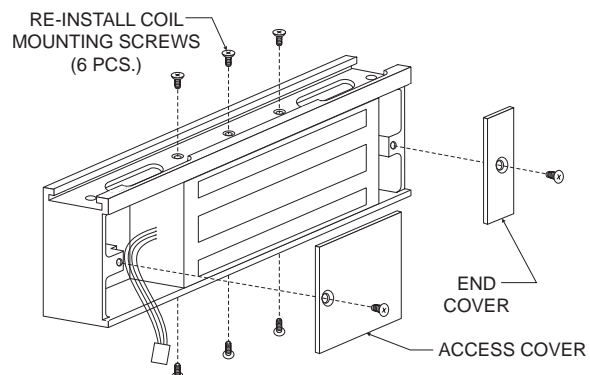
#### B.

Slide the FasTrak mounting baseplate off the housing. Remove the six phillips head coil mounting screws on the top and bottom of the housing. Carefully remove the coil assembly. **Avoid pulling on the coil wires.**



#### C.

Rotate the coil assembly 180 degrees and re-install into the housing, with the inactive end against the right coil stop. Re-install the six coil mounting screws and firmly tighten. Re-install the access and end covers in their new positions.



#### MOUNTING THE LOCK

1. Before installation begins remove the End Cover and Access Cover (see page 7 for parts locations). In the upper inside corners of the lock housing are located two #1/4-28 set screws. Using the 1/8" ball head hex wrench loosen (**do not remove**) the two set screws until the Fas-Trak Baseplate is free (Fig. "C"). Remove the Fas-Trak.
2. Place the Fas-Trak against the header with the slot counter-bores visible and the tabs facing the door (Fig. "A"). Attach the Fas-Trak to the header at both slotted hole locations, with two #10 x 1" tek screws or two 10-24 x 1/2" machine screws, if the frame has been reinforced and may be tapped. Tighten the screws just snug enough to allow for final adjustment.
3. Temporarily mount the lock to the Fas-Trak by offsetting the lock 1-1/8" from the jamb (Fig. "C") and tipping the front of the lock down engaging the rear flange of the Fas-Trak (Fig. "B"). Rotate the lock up allowing one tab to pass through the corresponding notch in the top of the lock housing. Slide the lock into position. Close and latch the door. Check that the armature and lock faces make full contact. **Make sure the door hits the frame just before the maglock (not slamming on the lock)**. If any adjustment is required gently tap the housing with a soft mallet. Open the door, remove the lock from the Fas-Trak and tighten both slot screws. Drive three #10 x 1" tek screws into the header using the Fas-Trak as a physical template. Screw heads must not project above the Fas-Trak.
4. Any roughed-in wiring may be brought in at this time through the slotted wiring holes. Re-install the lock on the Fas-Trak. Firmly tighten both housing set screws with the 1/8" ball head hex wrench. Replace End Cover. Continue with wiring, see separate instruction booklet. **If the lock wiring is not being done at this time replace the Access Cover and see that all instructions are left for the electrical installer.**

FIG. "A"

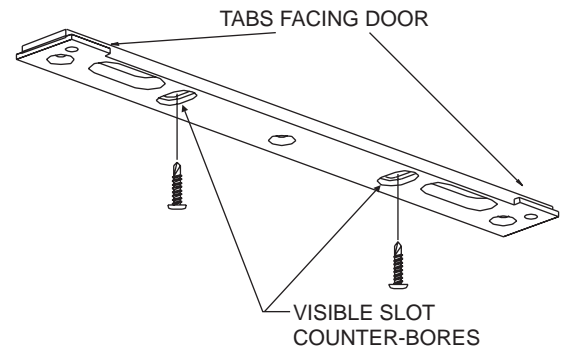


FIG. "B"

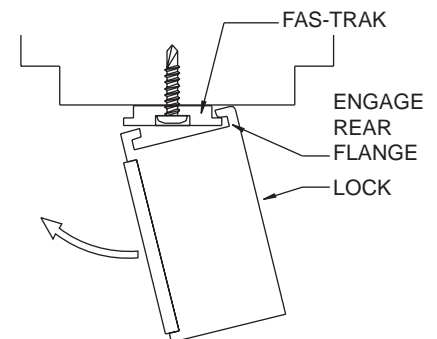
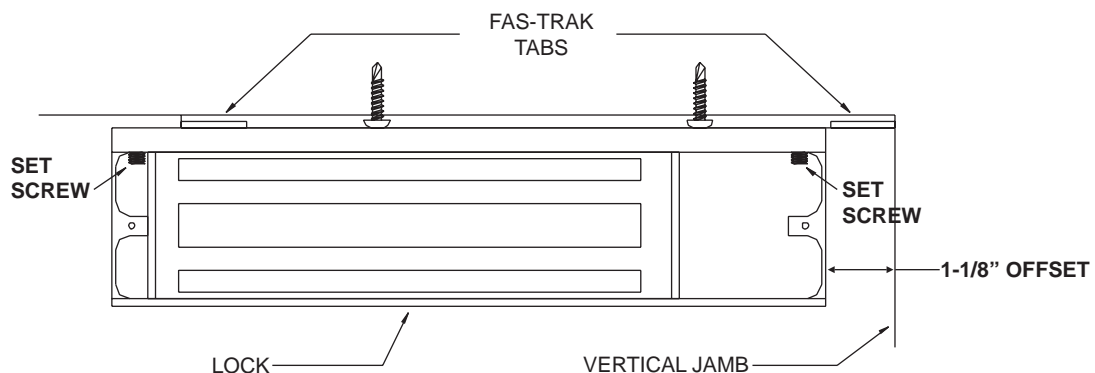
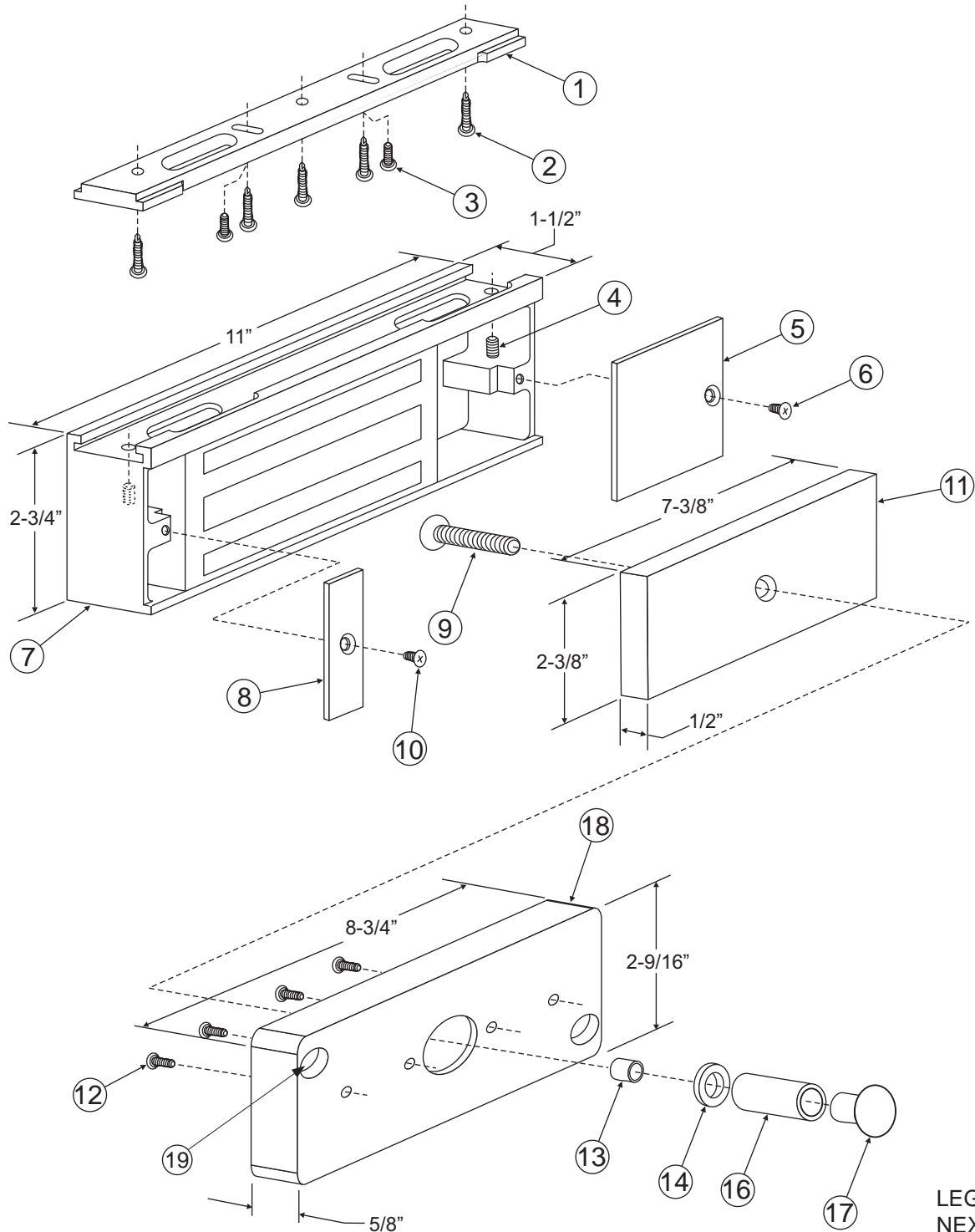


FIG. "C"



#### EXPLODED PARTS VIEW



LEGEND ON  
 NEXT PAGE





705 Emmett Street • Bristol, CT 06010  
1-877-DynaLock • www.dynalock.com

## MODEL 3000 SINGLE/OUTSWING ELECTROMAGNETIC LOCK

### INSTALLATION INSTRUCTIONS

#### PARTS LEGEND

| ITEM | DESCRIPTION                   | PART # |
|------|-------------------------------|--------|
| 1    | Fas-Trak Baseplate            | 300011 |
| 2    | #10x1" Self-Tapping Screw     | *      |
| 3    | 10-24x1/2" Machine Screw      | *      |
| 4    | 1/4-28x1/4" Socket Set Screw  | 300604 |
| 5    | Access Cover                  | 300009 |
| 6    | 8-32x3/8" Machine Screw       | 300608 |
| 7    | Housing Assembly              | 300007 |
| 8    | End Cover                     | 300010 |
| 9    | 5/16-18x2" Arm. Screw, Turned | *      |
| 10   | 8-32x3/8" Machine Screw       | 300608 |

| ITEM | DESCRIPTION                  | PART # |
|------|------------------------------|--------|
| 11   | Armature                     | 300013 |
| 12   | #8x1" Self-Tapping Screw     | *      |
| 12   | 8-32x3/8" Machine Screw      |        |
| 13   | Armature Spacer              | *      |
| 14   | Steel Washer                 | *      |
| 16   | Door Spacer Tube             | *      |
| 17   | Sex Nut                      | *      |
| 18   | Armature Housing             | 301244 |
| 19   | Disc Magnet (DSM & HSM only) | 301289 |

\* Part of Hardware Kit (301314)

Refer to Page 7 for parts locations.

**PLEASE DELIVER THIS MANUAL  
TO THE END-USER UPON COMPLETION  
OF THE INSTALLATION**

#### FOR PRODUCT SUPPORT AND PARTS ORDERING INFORMATION CONTACT:

DynaLock Corp.  
705 Emmett Street  
Bristol, CT 06010  
Bus: (877) 396-2562 Toll-Free USA  
(860) 582-4761  
Fax: (860) 585-0338

#### DYNALOCK ON THE INTERNET:

E-mail: [info@dynalock.com](mailto:info@dynalock.com)  
Website: [www.dynalock.com](http://www.dynalock.com)



LISTED

NYC Mea #23-92-E

GWXT Auxiliary Lock



CSFM