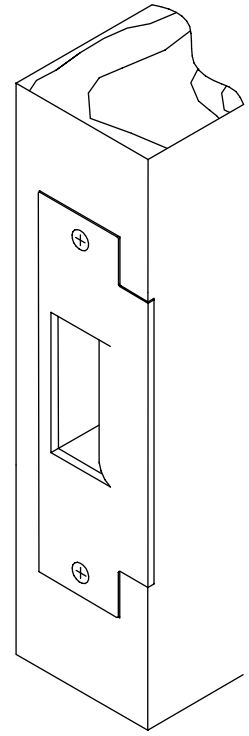
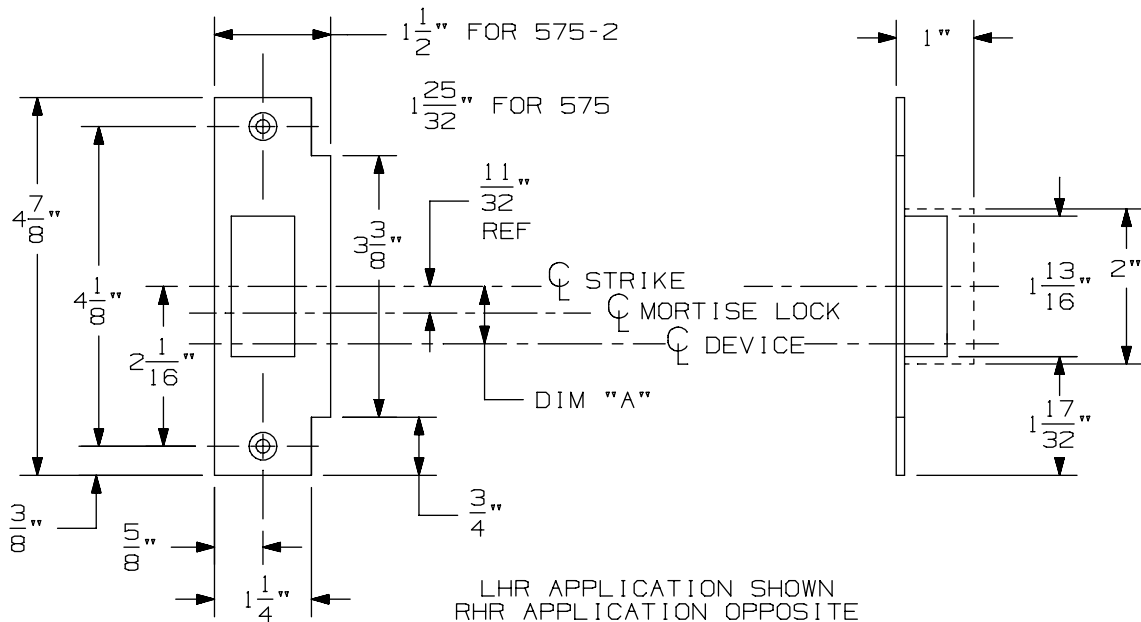
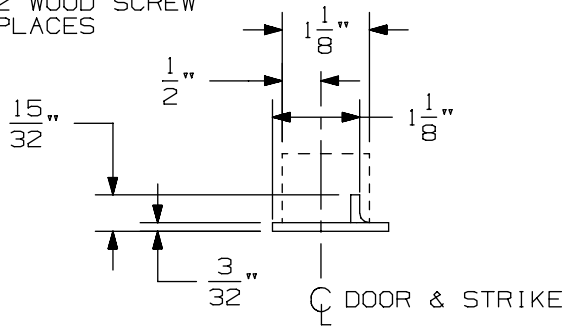


SUGGESTED  
CUTOUT



APPLICATION SCHEDULE	
DEVICE	DIM "A"
9875 & 9875-F	11/16"
9975 & 9975-F	11/16"
8875 & 8875-F	1/2"
5575 & 5575-F	1/2"

PILOT DRILL FOR  
#12 WOOD SCREW  
2 PLACES



**575-2 Mortise Strike (Double Doors)  
for 7500 Mortise Lock (Wood Door)**

**VON DUPRIN®**

NOTES: SEE MASTER SHEET #10001 FOR SUGGESTED REINFORCING

TEMPLATE  
NUMBER:

W30212\_b

DATE:  
07-22-13