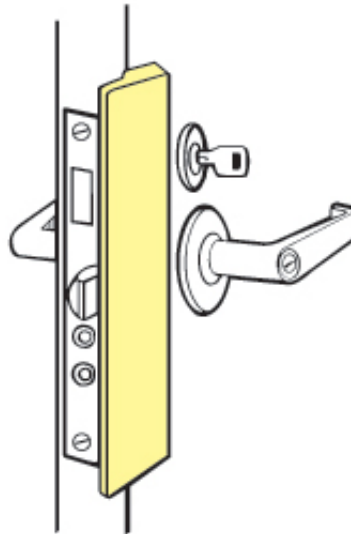




Latch Protector LP 2878



Product Specifications

Number	LP 2878
Dimensions	1-1/2" x 8-7/8"
Gauge	5/16", .3125
Material	Steel
Shelf pack	10
Finishes	DU, PC, SL
Competitor part	5000

