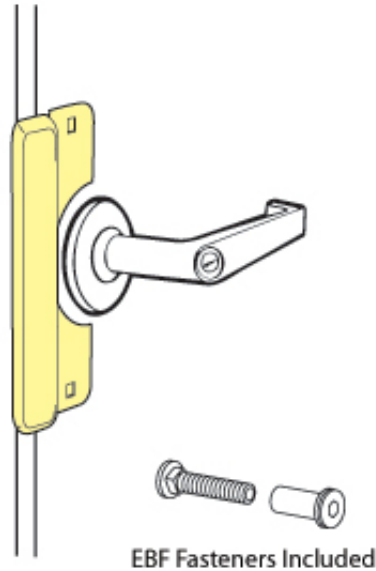




Latch Protector LELP 208 EBF



Product Specifications

Number	LELP 208 EBF
Dimensions	3-1/2" x 8"
Gauge	12 ga., .104
Material	Steel
Shelf pack	10
Features	Furnished with carriage bolts & sex nuts, Designed to fit most electric strikes, Completely encases the keeper for maximum protection
Finishes	DU, SL

