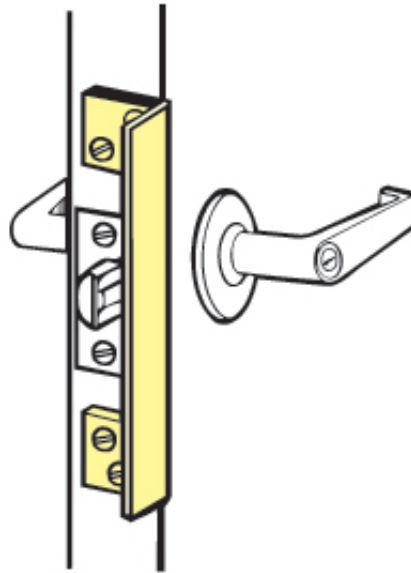




Latch Protector ALP 210



Product Specifications

Number	ALP 210
Dimensions	10"
Gauge	10 ga., .134
Material	Steel
Shelf pack	10
Features	1-1/2" sms for wood or metal
Finishes	BC, DU, SL

P.O. Box 929 - Sterling, MA 01564-0929 - TEL: 978-422-3377 FAX: 978-422-3467
EMAIL: info@don-jo.com (<mailto:info@don-jo.com>) - <http://www.don-jo.com> (<http://www.don-jo.com>)

