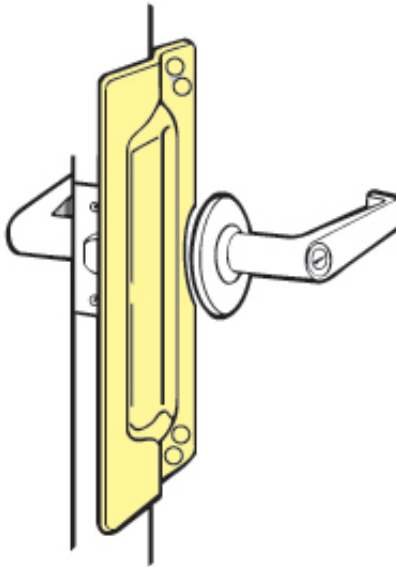




## Latch Protector 9211



### Product Specifications

Number	9211
Dimensions	3" x 11"
Gauge	12 ga., 104
Material	Steel
Shelf pack	10
Features	Furnished with carriage bolts, washers & acorn cap nuts
Finishes	BP, CP, DU, SL

P.O. Box 929 - Sterling, MA 01564-0929 - TEL: 978-422-3377 FAX: 978-422-3467  
EMAIL: [info@don-jo.com](mailto:info@don-jo.com) (<mailto:info@don-jo.com>) - <http://www.don-jo.com> (<http://www.don-jo.com>)

