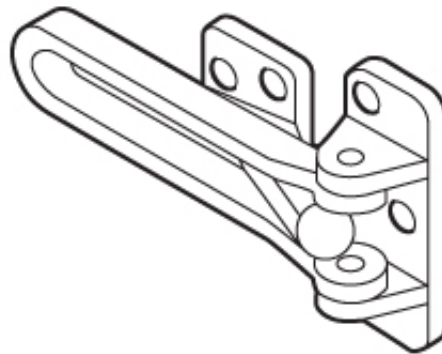




Door Flip Guards 1603



Product Specifications

Number	1603
Ansi	L33042
Shelf pack	10
Finishes	605, 606, 613, 625, 626
Material	Aluminum
Features	Ball Bearing Design, Includes AP-34, Polybagged
Competitor part	580, 1412, 482, 603, 8715, EDL-100

P.O. Box 929 - Sterling, MA 01564-0929 - TEL: 978-422-3377 FAX: 978-422-3467
EMAIL: info@don-jo.com (<mailto:info@don-jo.com>) - <http://www.don-jo.com> (<http://www.don-jo.com>)

