

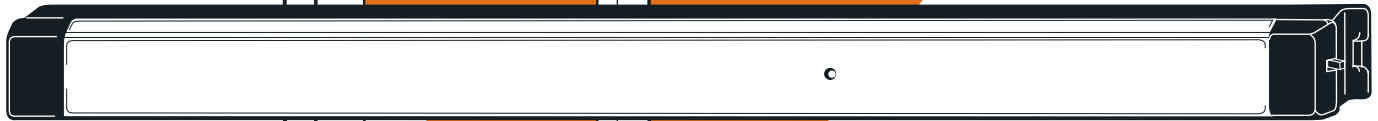
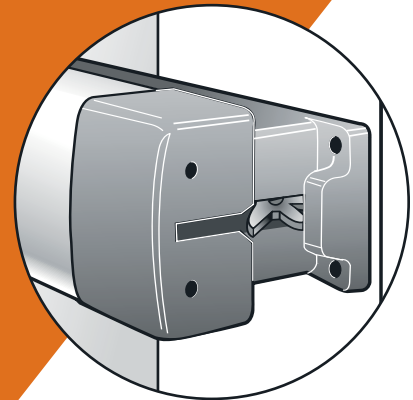
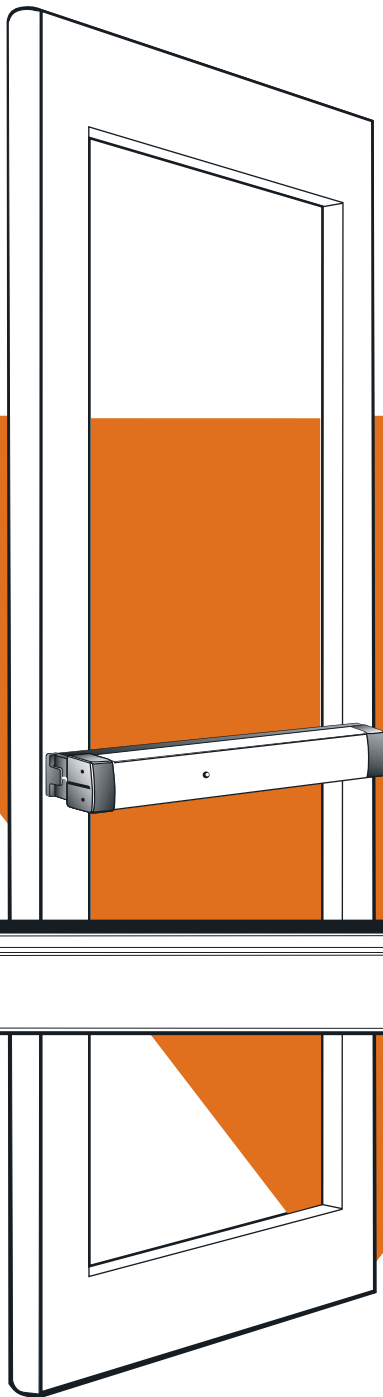
BHMA TYPE 4

Narrow Stile Rim Exit Device

For Aluminum Doors

8800 Series

LIFE-SAFETY



Features:

- ▼ Patented "Starwheel" Bolt interlocks door to frame
- ▼ Pushbar is anodized or clad, not plated, in a variety of finishes
- ▼ Easy to install
- ▼ Unobtrusive design for clean sight lines
- ▼ Strong, durable construction for a high level of security

CERTIFICATIONS:

 Life-Safety Listing
ANSI/BHMA A156.3 Grade 1
California State Fire Marshall
New York City MEA*

*Consult factory for specific number



Features & Dimensions

Narrow Stile Rim Exit Device

ANSI/BHMA
Grade 1

Handing
Device is non-handed. Lever Entry Trim is field reversible.

Pushbar Length
Standard Sizes: Dimensioned for 30", 36", 42" & 48" openings. Standard width bars can be field cut to the next smallest opening width.

Door Thickness
Suits 1-3/4" standard, up to 2-1/4".

Stile Width
Minimum 2" Stile. Fits Narrow, Medium and Wide Stile aluminum doors.

Projection
2-5/8" when fully projected, 1-5/8" when dogged.

Materials
Pushbar made of extruded aluminum, clad or anodized in a variety of finishes.

Dogging
Standard dogging with hex key or optional cylinder dogging. Electric dogging also available.

Fasteners
Standard self-tapping screws.

Strike
Made of hardened steel. Standard and narrow version supplied with exit device.

Cylinders (order separately)
Cylinder x Fixed Pull:
(Functions 03)
Accepts any standard Rim cylinder.

Entry Lever
(Functions 08, 09)
Accepts any standard diameter Mortise cylinder with MS® cam. Accommodates cylinder lengths from 1" to 1-1/4".

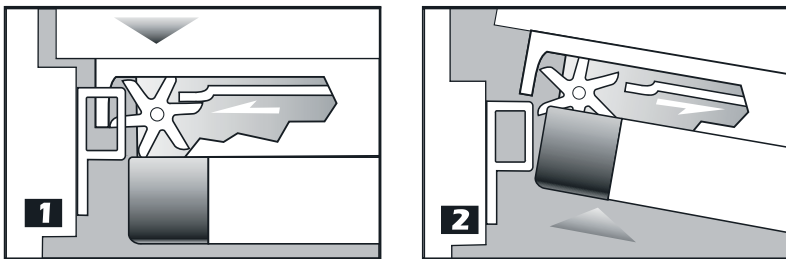
Warranty
Five year limited.

AVAILABLE FINISHES	
313	Dark Bronze Anodized
335	Black Anodized
628	Clear Anodized
US3	Bright Brass
US4	Satin Brass
US9	Bright Bronze
US10	Satin Bronze
10B	Dark Bronze (Trim only)
US32	Bright Stainless
US32D	Satin Stainless

Consult factory for special finishes.

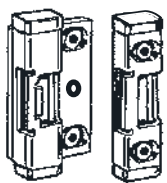


Starwheel Bolt



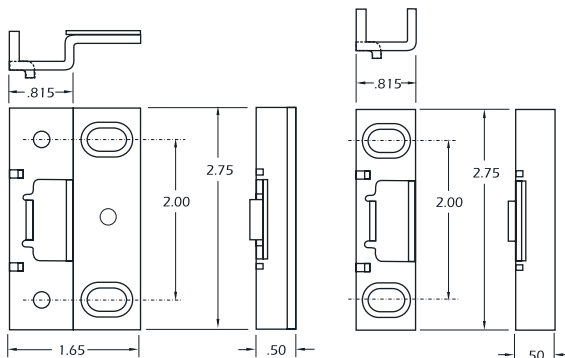
[1] When door closes, the interlocking noseguard and Starwheel bolt close around the strike. The deadlocking slide springs over, locking the Starwheel bolt to the strike. [2] When pushbar is depressed, the deadlocking slide moves back, allowing the door to unlock from the strike. This unique interlock provides solid security and prevents jamb spreading.

Strikes

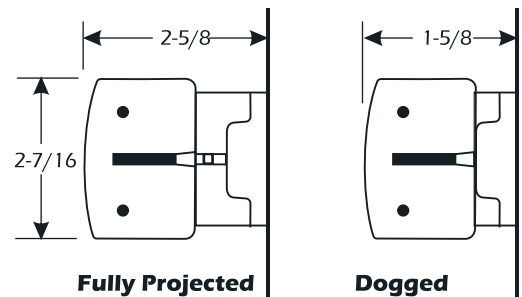


Standard strike and narrow version for centering doors in 4" jamb.

(Both strikes are included)

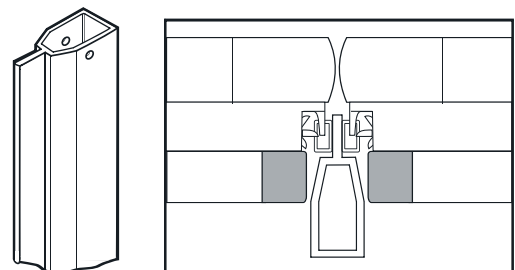


Pushbar Dimensions



Removable Mullion - 3890


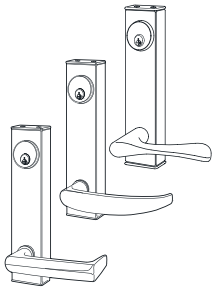
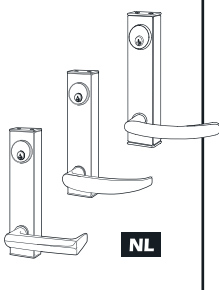
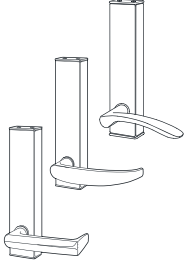
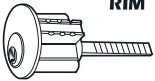


Allows the use of Rim exit devices on paired doors without narrowing the doors. Provides higher security and better traffic flow than paired doors with Vertical Rod exit devices. Available in anodized 313 and 628. Specify door height when ordering.



Trim & Function

Narrow Stile Rim Exit Device

ANSI/BHMA Functions:

01	02	03	08	09	14
EXIT ONLY- NO TRIM	<p>PULL ONLY WHEN DOGGED</p>  <p>DUMMY TRIM</p> <p>OR FIXED PULL BY OTHERS</p>	<p>KEY RETRACTS LATCHBOLT</p> <p>FIXED PULL BY OTHERS</p> <p>NL</p>	<p>KEY LOCKS/UNLOCKS LEVER</p> 	<p>KEY UNLOCKS LEVER</p>  <p>NL</p>	<p>PASSAGE SET</p> 
CYLINDER TYPE					
N/A	N/A	<p>RIM</p> 	<p>MORTISE</p> 	<p>MORTISE</p> 	N/A

NL - Night Latch

Please see page ED-10 or ED-11 for Pulls and Entry Trim, plus Entry Trim Ordering Matrix.

Ordering Matrix

8800 Series Rim Exit Device - Life Safety for Aluminum/Glass Doors



8800

Specify Series

Door Opening Width

On pair of doors, specify half of total exit opening
30 inches **42** inches
36 inches **48** inches

8800 - 36 - US3

Pushbar Finish

- 1** 628 Clear Anodized
- 2** 313 Dark Bronze Anodized
- 3** 335 Black Anodized
- 0** US Finish

Add Dash No. for US Finish

- US3** Bright Brass **US32** Bright Stainless
- US4** Satin Brass **US32D** Satin Stainless
- US9** Bright Bronze
- US10** Satin Bronze

If required, specify cylinder and other trim separately

Additional Options:

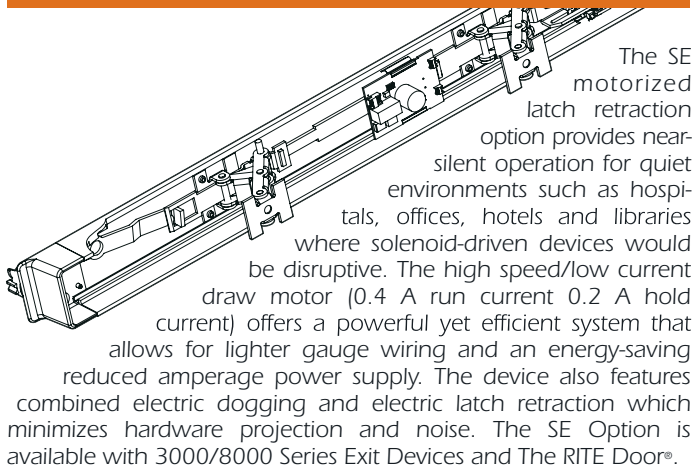
Cylinder Dogging - For all Life-Safety Devices only. Specify by adding "C" after device model number. Hex key dogging standard.

Options & Accessories

Narrow Stile Rim Exit Device

Order by adding suffix to Exit Device in place of hyphen or by separate model number.

MOTORIZED LATCH RETRACTION

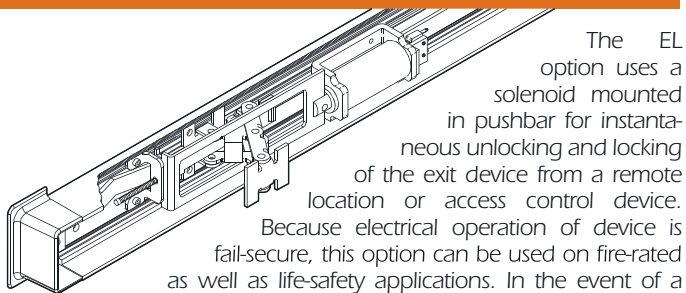


The SE motorized latch retraction option provides near-silent operation for quiet environments such as hospitals, offices, hotels and libraries where solenoid-driven devices would be disruptive. The high speed/low current draw motor (0.4 A run current 0.2 A hold current) offers a powerful yet efficient system that allows for lighter gauge wiring and an energy-saving reduced amperage power supply. The device also features combined electric dogging and electric latch retraction which minimizes hardware projection and noise. The SE Option is available with 3000/8000 Series Exit Devices and The RITE Door®.

Specify by adding "SE" after exit device model number (ex. 8611SE36).

Order PS-SE Power Supply separately. (PS-SE powers 2 devices) Rated for continuous duty. See 4612 Power Supply.

ELECTRIC LATCH RETRACTION



The EL option uses a solenoid mounted in pushbar for instantaneous unlocking and locking of the exit device from a remote location or access control device. Because electrical operation of device is fail-secure, this option can be used on fire-rated as well as life-safety applications. In the event of a power failure, device automatically relocks. Rim-devices are available in 12 or 24 VDC and can be powered with a simple transformer and rectifier or other DC power supply.

Specify by adding "EL" after exit device model number. Also specify 12 or 24 volt

Solenoid Specifications:

EL-12 VDC - 1.5 Amps Inrush/Hold

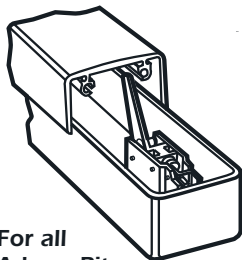
EL-24 VDC - .6 Amps Inrush/Hold

Solenoids are rated for both intermittent and continuous operation. Specify for optional hex key dogging. Also see 4612 Power Transfer.

RX - MONITOR/SIGNAL SWITCH

M1- Single Switch
M2- Dual Switch

Mounted in the exit device pushbar on the hinge end, the switch can be used to activate signal light, horn, monitor or other devices. Switch can be wired for normally open or normally closed. Can be retrofit in field to existing exit device. Dual switch version offers redundancy as required by some building codes or it can operate a second signaling device.



For all Adams Rite Exit Devices

Specify by adding "M1" or "M2" after exit device model number.
RX Monitor Kits for upgrading any 3000 or 8000 Series device:
91-0897-01 – Single Switch 91-0897-02 – Dual Switch

ALARMED EXIT DEVICE



For all Adams Rite Exit Devices

This option emits a loud (95 decibel) alarm to notify management of unauthorized exit. Alarm is controlled by a key in any standard Mortise cylinder with MS® cam to arm, disarm, delay or reset the alarm. Will not alter the Life-Safety characteristics of the exit device in any way. Red letters printed on the bar give a "hands off" warning to deter accidental actuation.

Battery Operated

Four AA alkaline batteries power twin horns for two minutes (or until disarmed) when pushbar is depressed. Beeps to signal need for new batteries.

Minimum opening width: 36"

ELECTRIC DOGGING



For all Adams Rite Exit Devices

The "ED" option's holding magnet keeps the pushbar depressed (set manually) and the latch retracted for a lower profile exit device, resulting in less damage and quieter operation. An internal microswitch signals when the bar is depressed – ideal for automatic door operators. On fire-rated devices, it's wired through the fire alarm system. Devices operate at 24VDC at .6 amps, with only a transformer and rectifier. (Not to be used as access control element. Specify "EL" with access control devices.)

Specify by adding "ED" after exit device model number (ex. 8611ED36).

MONITORED DUMMY PUSHBAR

8099M1 - Single Switch
8099M2 - Dual Switch
8099-00 - Dummy Only



Dummy pushbar with no latch mechanism but with either a single or dual monitor/signal switch. Can be used with a maglock, where bar turns off magnet and allows exit from building. Dual switch version allows redundancy where required by code or the operation of a signal device. Specify door type and width when ordering.

CYLINDER DOGGING

For all non-fire rated Adams Rite Exit Devices



For management control of dogging. Any standard 15/16" to 1-1/8" long Mortise cylinder with MS® cam can be used in a pushbar prepared at factory with Cylinder Dogging kit. Not for use with Alarm, EL or SE options.