

## **BHMA TYPE 10**

# **Narrow Stile Mortise Exit Device**

*For Aluminum Doors*

## **8400 Series**



### **Features:**

- ▼ Heavy duty deadlatching mechanism
- ▼ Pushbar clad or anodized, not plated, in a variety of finishes
- ▼ Easy to install
- ▼ Clean, unobtrusive design
- ▼ Strong, durable construction for a high level of security

#### **CERTIFICATIONS:**

 Life-Safety Listing  
ANSI/BHMA A156.3 Grade 1  
California State Fire Marshall  
New York City MEA\*

\*Consult factory for specific number



# Features & Dimensions

## Narrow Stile Mortise Exit Device

**ANSI/BHMA**  
Grade 1

**Handing**  
Specify handing and bevel if applicable.  
Lever Entry Trim is field reversible.

**Pushbar Length**  
Standard Sizes: Dimensioned for 30", 36", 42" & 48" openings. Standard width bars can be field cut to the next smallest opening width. Backsets available in 31/32", 1-1/8", 1-1/2".

**Door Thickness**  
Suits 1-3/4" standard. Can be modified for thicker doors.

**Stile Width**  
Minimum 2" Stile. Fits Narrow, Medium and Wide Stile aluminum doors.

**Projection**  
2-5/8" when fully projected,  
1-5/8" when dogged.

**Materials**  
Pushbar made of extruded aluminum, clad or anodized in a variety of finishes.

**Dogging**  
Standard dogging with hex key or cylinder dogging option. Electric dogging also available.

**Fasteners**  
Standard self-tapping screws.

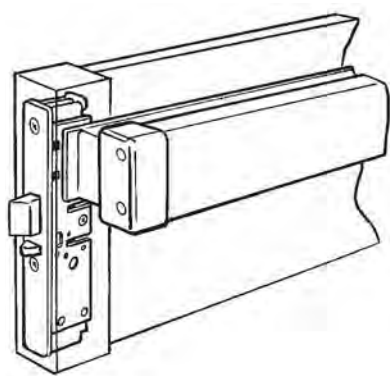
**Strike**  
Made of stainless steel. Supplied with exit device. See Strike options below.

**Cylinders** (order separately)  
Cylinder x Fixed Pull:  
(Function 03)  
Accepts any standard Mortise cylinder. Entry Lever (Functions 08, 09)  
Accepts any standard diameter Mortise cylinder with MS® cam. Accommodates cylinder lengths from 1" to 1-1/4".

**Warranty**  
Five year limited.

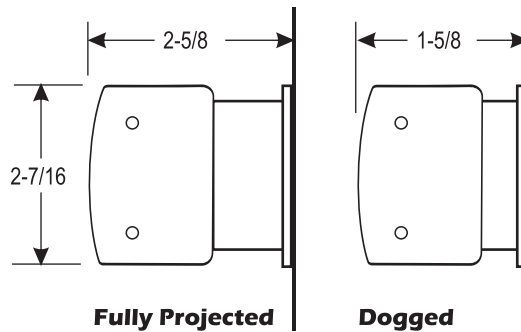
AVAILABLE FINISHES	
<b>313</b>	Dark Bronze Anodized
<b>335</b>	Black Anodized
<b>628</b>	Clear Anodized
<b>US3</b>	Bright Brass
<b>US4</b>	Satin Brass
<b>US9</b>	Bright Bronze
<b>US10</b>	Satin Bronze
<b>10B</b>	Dark Bronze (Trim only)
<b>US32</b>	Bright Stainless
<b>US32D</b>	Satin Stainless

*Consult factory for special finishes.*



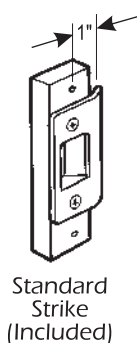
**8400**  
The 8400 was designed to fit standard cutout used for the Adams Rite MS® Deadbolt on aluminum stile glass doors. Backsets available: 31/32", 1-1/8" & 1-1/2".

### Pushbar Dimensions

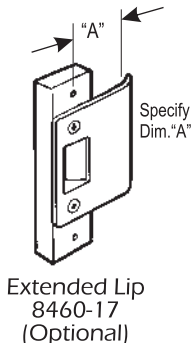


### Strikes

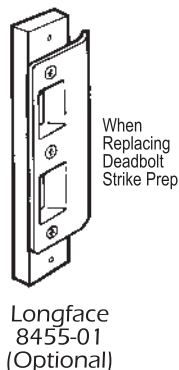
A variety of strikes are available for different applications and conditions.



Standard Strike (Included)



Extended Lip 8460-17 (Optional)



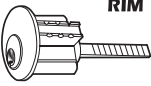


Longface 8455-01 (Optional)

**8475 Midpanel**  
The Mortise exit device is also available for use with a Midpanel design. Consult factory for applications.

# Trim & Function

## Narrow Stile Mortise Exit Device

### ANSI/BHMA Functions:

01	02	03	08	09	14
EXIT ONLY- NO TRIM	PULL ONLY WHEN DOGGED <b>DUMMY TRIM</b>  OR FIXED PULL BY OTHERS	KEY RETRACTS LATCHBOLT  FIXED PULL BY OTHERS  <b>NL</b>	KEY LOCKS/UNLOCKS LEVER	KEY UNLOCKS LEVER  <b>NL</b>	PASSAGE SET
<b>CYLINDER TYPE</b>					
N/A	N/A	 RIM	 MORTISE	 MORTISE	N/A

**NL** – Night Latch

Please see page ED-10 or ED-11 for Pulls and Entry Trim, plus Entry Trim Ordering Matrix.

### Thick and Cladded Door Kits

- 91-0995-02\* – 2" Thick Door Kit
- 91-0995-03\* – 2-1/4" Thick Door Kit
- 91-0995-04\* – 2-1/2" Thick Door Kit
- 91-0995-05\* – 2-3/4" Thick Door Kit

- 91-0995-06\* – 3" Thick Door Kit
- 91-0325-01 – Thermal Door Kit - 1/4" Cladding
- 91-0325-02 – Thermal Door Kit - 1/2" Cladding
- \* Order 8460-xx Long Lip Strike as required

# Ordering Matrix

8400 Series - Life Safety for Aluminum/Glass Doors

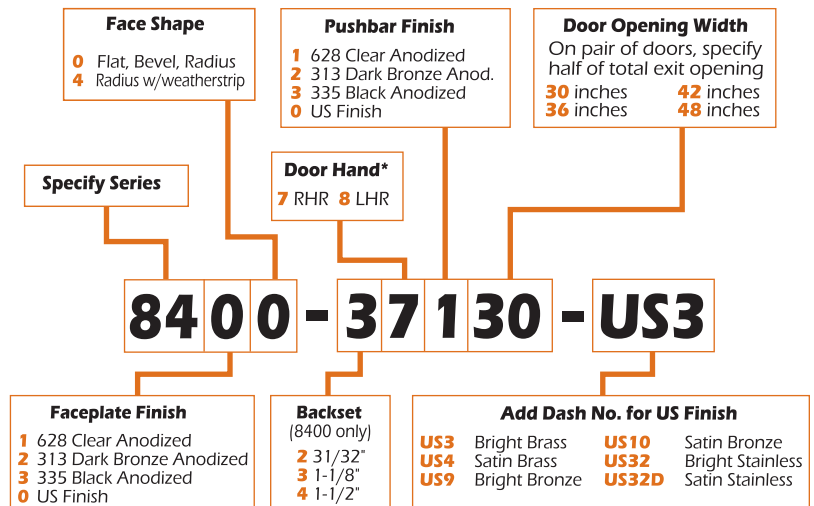
8475 Mid-Panel For Aluminum/Glass Doors - Requires special door construction. Consult factory for assistance.

8400 includes faceplates to cover flat, bevel and radius applications.



8400

8475



\* Field reversible

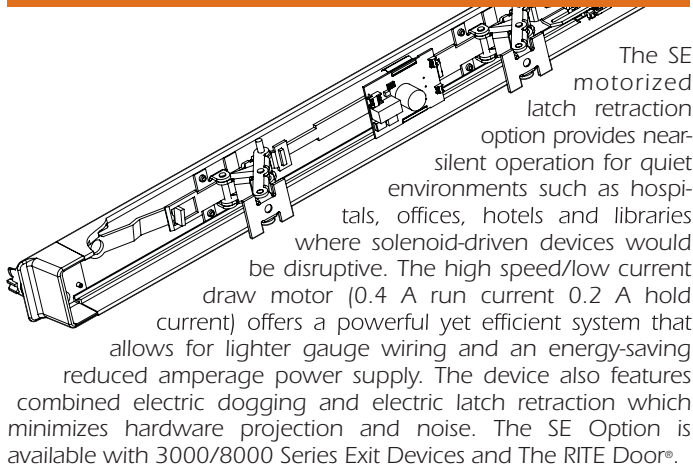
If required, specify cylinder and other trim separately

# Options & Accessories

## Narrow Stile Mortise Exit Device

Order by adding suffix to Exit Device in place of hyphen or by separate model number.

### MOTORIZED LATCH RETRACTION



The SE motorized latch retraction option provides near-silent operation for quiet environments such as hospitals, offices, hotels and libraries where solenoid-driven devices would be disruptive. The high speed/low current draw motor (0.4 A run current 0.2 A hold current) offers a powerful yet efficient system that allows for lighter gauge wiring and an energy-saving reduced amperage power supply. The device also features combined electric dogging and electric latch retraction which minimizes hardware projection and noise. The SE Option is available with 3000/8000 Series Exit Devices and The RITE Door®.

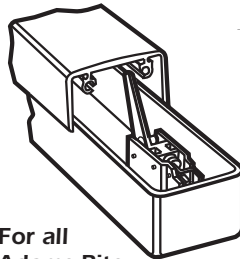
Specify by adding "SE" after exit device model number (ex. 8611SE36).

Order PS-SE Power Supply separately. (PS-SE powers 2 devices) Rated for continuous duty. See 4612 Power Supply.

### RX - MONITOR/SIGNAL SWITCH

M1- Single Switch  
M2- Dual Switch

Mounted in the exit device pushbar on the hinge end, the switch can be used to activate signal light, horn, monitor or other devices. Switch can be wired for normally open or normally closed. Can be retrofit in field to existing exit device. Dual switch version offers redundancy as required by some building codes or it can operate a second signaling device.



For all Adams Rite Exit Devices

Specify by adding "M1" or "M2" after exit device model number.  
RX Monitor Kits for upgrading any 3000 or 8000 Series device:  
91-0897-01 – Single Switch      91-0897-02 – Dual Switch

### CYLINDER DOGGING

For all non-fire rated Adams Rite Exit Devices



For management control of dogging. Any standard 15/16" to 1-1/8" long Mortise cylinder with MS® cam can be used in a pushbar prepared at factory with Cylinder Dogging kit. Not for use with Alarm, EL or SE options.

### ALARMED EXIT DEVICE



For all Adams Rite Exit Devices

This option emits a loud (95 decibel) alarm to notify management of unauthorized exit. Alarm is controlled by a key in any standard Mortise cylinder with MS® cam to arm, disarm, delay or reset the alarm. Will not alter the Life-Safety characteristics of the exit device in any way. Red letters printed on the bar give a "hands off" warning to deter accidental actuation.

#### Battery Operated

Four AA alkaline batteries power twin horns for two minutes (or until disarmed) when pushbar is depressed. Beeps to signal need for new batteries.

Minimum opening width: 36"

### ELECTRIC DOGGING

For all Adams Rite Exit Devices



The "ED" option's holding magnet keeps the pushbar depressed (set manually) and the latch retracted for a lower profile exit device, resulting in less damage and quieter operation. An internal microswitch signals when the bar is depressed – ideal for automatic door operators. On fire-rated devices, it's wired through the fire alarm system. Devices operate at 24VDC at .6 amps, with only a transformer and rectifier. (Not to be used as access control element. Specify "EL" with access control devices.)

Specify by adding "ED" after exit device model number (ex. 8611ED36).

### MONITORED DUMMY PUSHBAR

8099M1 - Single Switch  
8099M2 - Dual Switch  
8099-00 - Dummy Only



Dummy pushbar with no latch mechanism but with either a single or dual monitor/signal switch. Can be used with a maglock, where bar turns off magnet and allows exit from building. Dual switch version allows redundancy where required by code or the operation of a signal device. Specify door type and width when ordering.