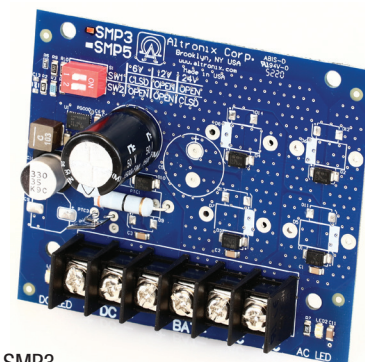


## SMP3

### Power Supply/Charger

Altronix SMP3 power supply/charger converts a low voltage AC input into a 6VDC, 12VDC or 24VDC output. This unit has a wide range of applications for access control, security and CCTV system accessories that require additional power.



SMP3

### Specifications

#### Input

Voltage 16VAC to 28VAC.

#### Outputs

Voltage 6VDC, 12VDC or 24VDC selectable.

Current 2.5A continuous max.

Other Short circuit and thermal overload protection.  
Filtered and regulated.

#### Back-up Battery *(not included)*

Type Sealed lead acid or gel type.

Failover Upon AC loss, instantaneous.

#### Indicators (LED)

Input Input voltage is present.

DC Output Powered.

#### Physical and Environmental

##### Dimensions (L x W x H)

3.5" x 3" x 2" (88.9mm x 76.2mm x 50.8mm).

Product Weight 0.25 lbs. (0.12 kg).

Shipping Weight 0.35 lbs. (0.16 kg).

##### Temperature

Operating 0°C to 49°C (32°F to 120°F).

Storage -20°C to 70°C (-4°F to 158°F).

Relative Humidity 85% +/-5%.

##### BTU/Hr (approx.):

6VDC: 8 BTU/Hr.

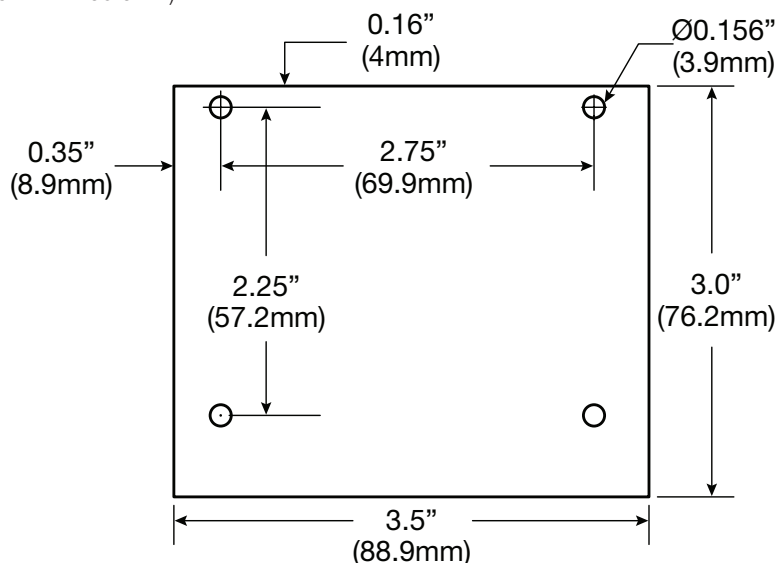
12VDC: 15 BTU/Hr.

24VDC: 31 BTU/Hr.

Mounting hardware included.

### Board Dimensions (L x W x H) and Drawing

3.5" x 3" x 2" (88.9mm x 76.2mm x 50.8mm)



#### Lifetime Warranty