

MS1850S Series MS® Deadlock



ALUMINUM

GRADE 1
E8211

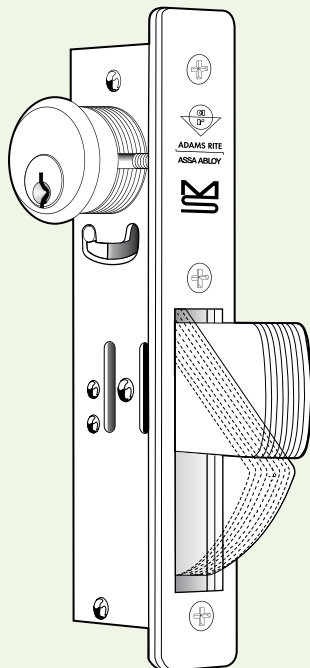
The MS1850S Deadlock utilizes a laminated stainless steel bolt, activated by a pivot mechanism to provide maximum security for a single leaf narrow stile door.

Function

A huge bolt of laminated stainless steel, nearly three inches long, activated by an uncomplicated pivot mechanism, has made this basic MS® Deadlock the standard of the narrow stile door industry. The length of this bolt provides maximum security for a single leaf door, even a very tall and flexible one or an installation where the gap between the door and jamb is greater than it should be.

Operation

360° turn of key or thumbturn throws or retracts the counterbalanced bolt. Key can be removed only when bolt is in a positively locked or unlocked position. Lock accepts any standard 1-5/32" diameter mortise cylinder or thumbturn from either or both sides. Cylinder must have MS® dimensioned cam.



Specifications

CYLINDER BACKSET

- 7/8", 31/32", 1-1/8", or 1-1/2" only.

CASE

- Steel with corrosion-resistant plating, measures 1" x 6" x depth. Depth varies by backset (see table on back of page).

BOLT

- 5/8" x 1-3/8" x 2-7/8" with 1-3/8" throw. Eight-ply laminated stainless steel. Center ply has alumina-ceramic core to defeat any hacksaw attack, including rod-type "super" hacksaws.

FACEPLATE

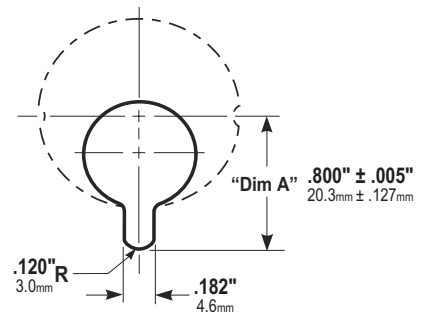
- Measures 1" x 6-7/8"

STRIKE

- See back of page for dimensions of strike slot which can be cut in metal jamb. Trim plate, box strike, and armored strike are available separately.

CYLINDER CAM

- MS1850S Deadlocks are operable by any standard 1-5/32" diameter mortise cylinder with MS® cam dimensioned as shown. Cylinders with MS® cams can be readily obtained from most cylinder manufacturers. See CYLINDERS section for cylinder make, thumbturn and trim ring information.



OPTIONS

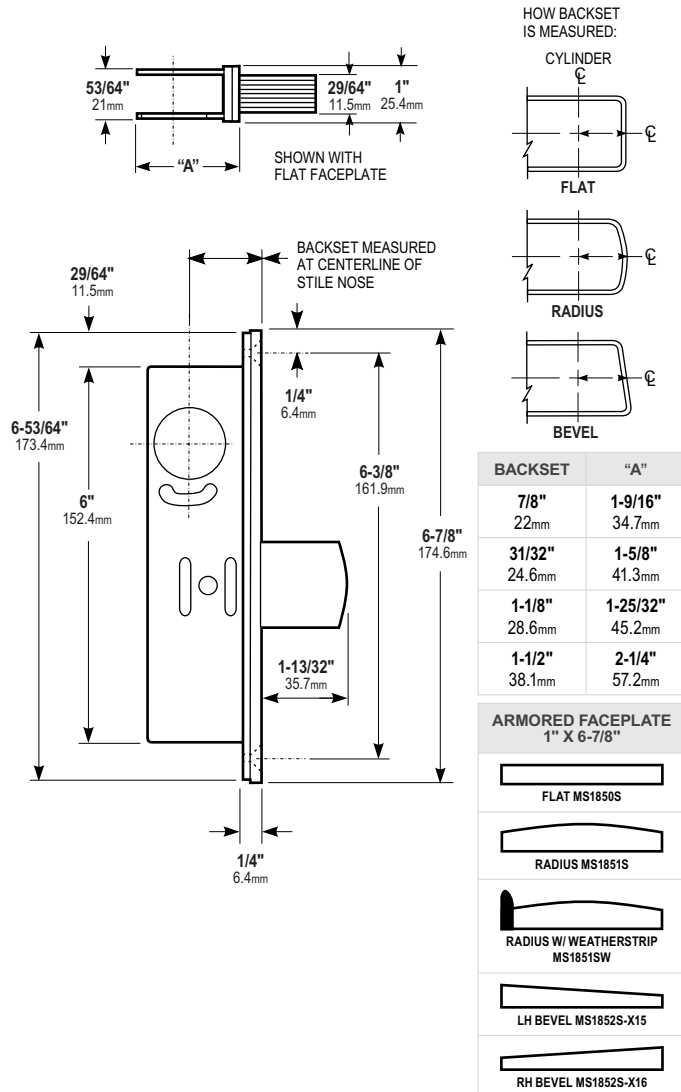
- For jambs too narrow to accept the long bolt, the MS1850S-050 offers a shorter bolt with hook shape to provide equal security against door-prying attempts. 1850S-020 short throw without hook is also available. Second and third point locking bolts are available for pairs of doors. All use any make standard mortise cylinder and thus can be keyed into systems with other types of doors. "SCHOOLHOUSE" version, also available, is modified so that operation from inside is "unlock only". This lock is handed and must be specified LH or RH. Specify Series SCH1850S. Same faceplate and backset options as Series MS1850S. Operation from inside, with standard Adams Rite 4066 Turn or with 4550 Deadlock Lever. For wood or hollow metal, see MS1850SN.

STANDARD PACKAGE

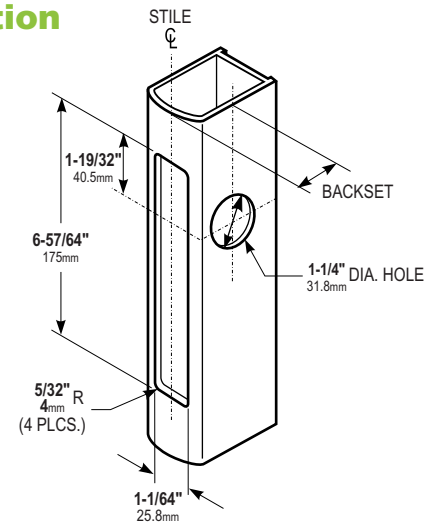
- Individually boxed with machine screws for mounting. Cylinders and/or thumbturns available separately. Shipping weight: 1-1/2 lbs.

All measurements are approximate and are provided for informational purposes only. Refer to the product Installation Instructions.

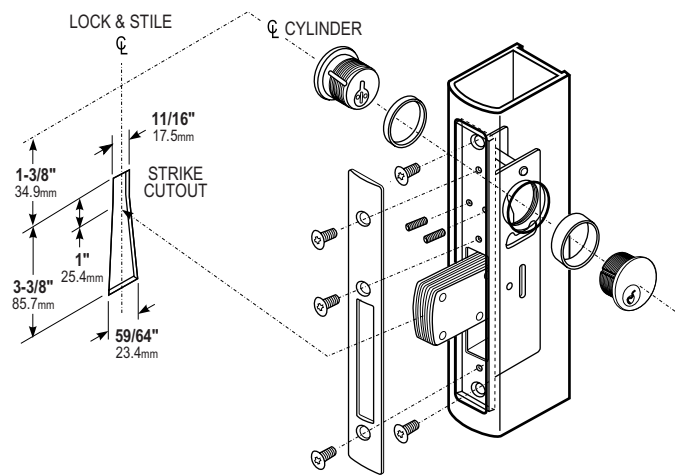
Dimensions



Stile Preparation



Lock & Cylinder Installation



HOW TO ORDER MS1850S SERIES MS® DEADLOCK

Specify quantity and the following information. Order related products separately.

PRODUCT NO.	FACEPLATE	BACKSET	HANDING	FINISH
MS185	OS	- 2	- 10	- 628
	0S Flat	1 7/8"	15 LH or RHR	313 Dark Bronze Anodized
	1S Radius	2 31/32"	16 RH or LHR	335 Black Anodized
	1SW Radius with weatherstrip	3 1-1/8"	10 Non-Handed*	628 Clear Anodized
	2S Bevel	4 1-1/2"		

*Any flat or radius faceplate, except Schoolhouse.

RELATED PRODUCTS When purchasing this product, please consider the following related products, available separately:

Accessories

4015 Threshold Bolt or 4016 Header Bolt for multi-point locking.

4085 Header Bolt for pairs of doors.

4000, 4001, MS4002 Deadlock Strikes.

Lock mounting accessories and options.

Cylinders

MS1850S Deadlocks are operable by any standard 1-5/32" diameter mortise cylinder with MS® cam.

Trim

Deadlock lever trim and keyless entry trim.

Exit indicators.

Special Order Options

Schoolhouse function available as special order.